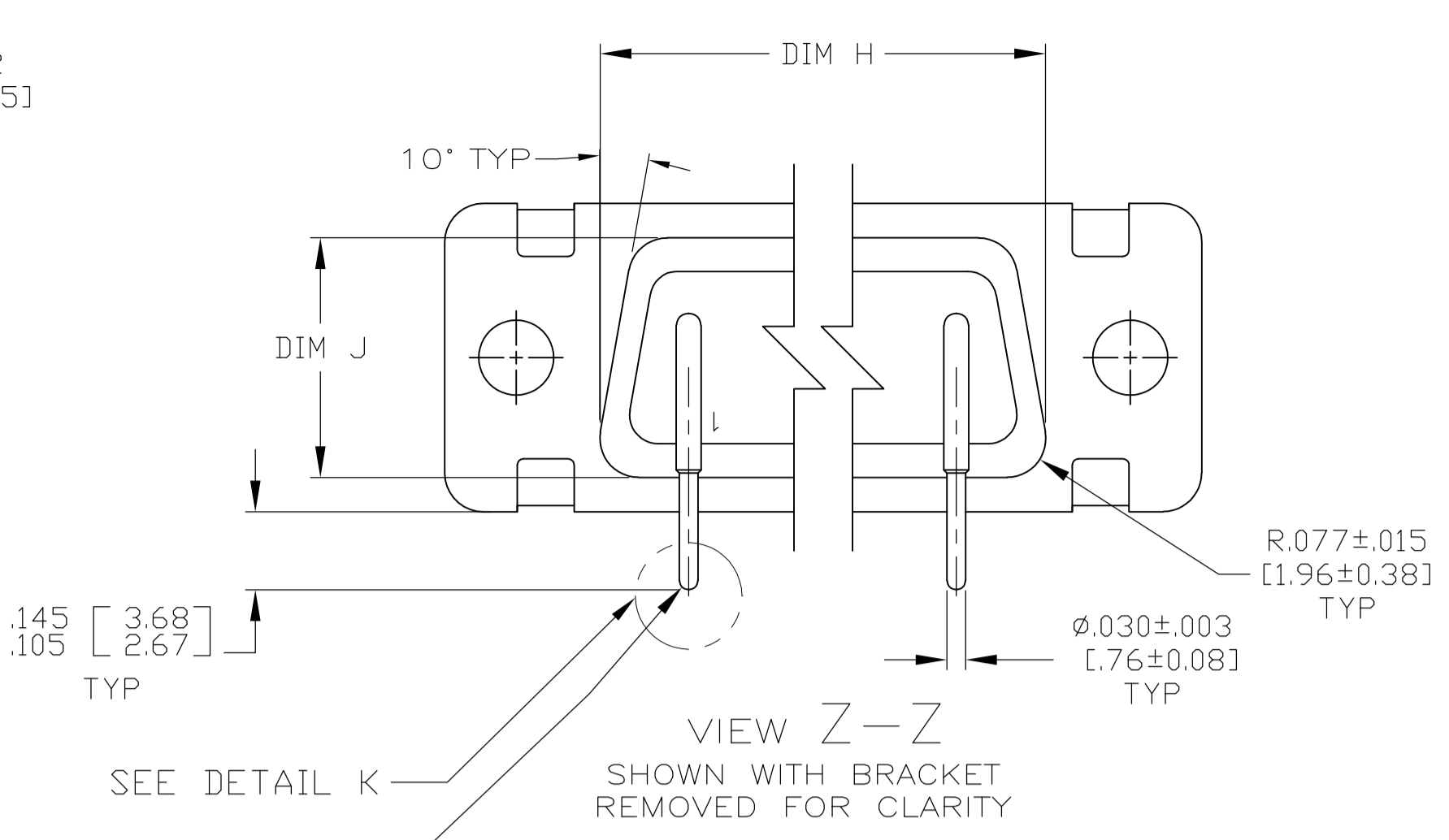
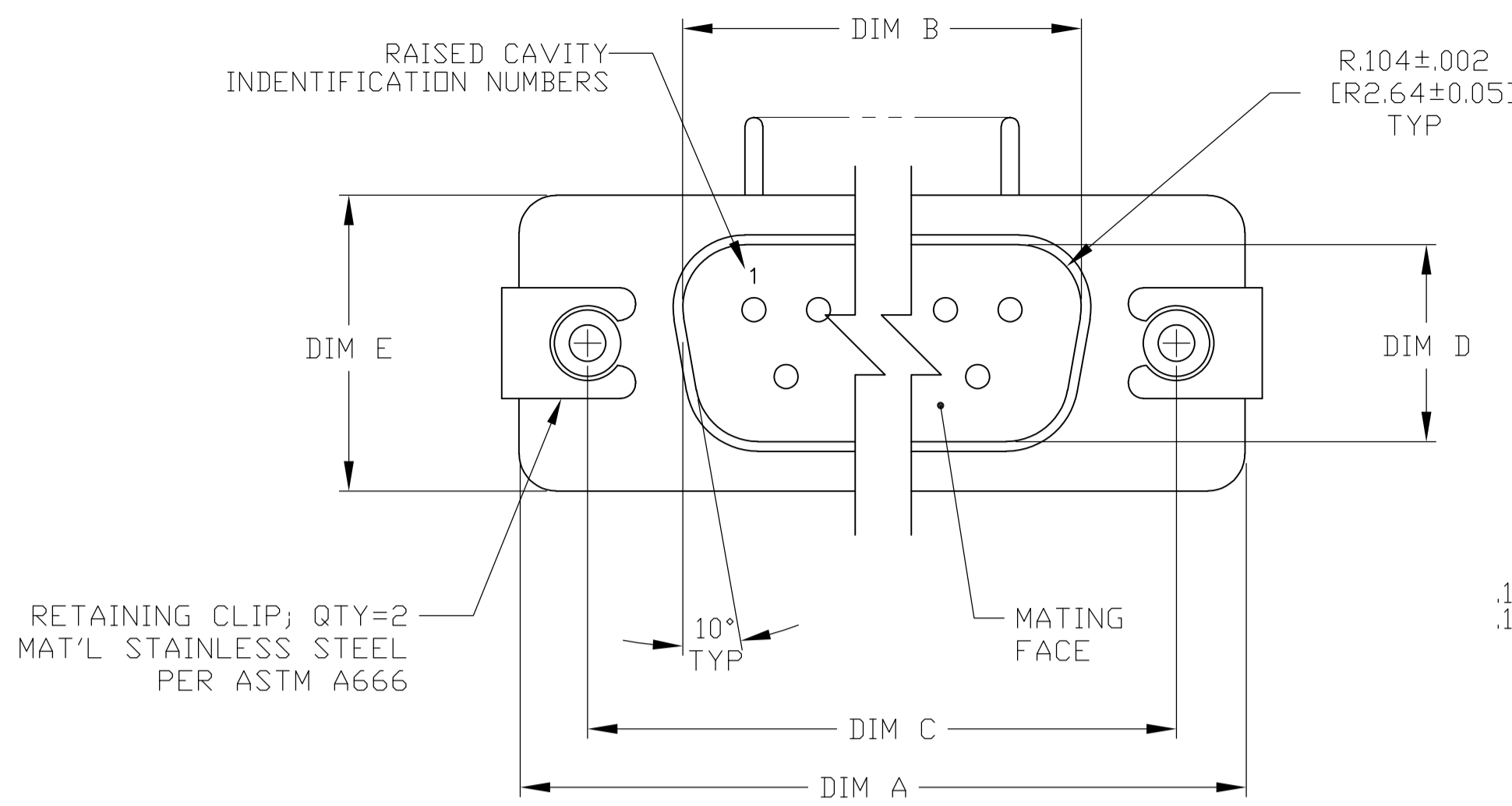
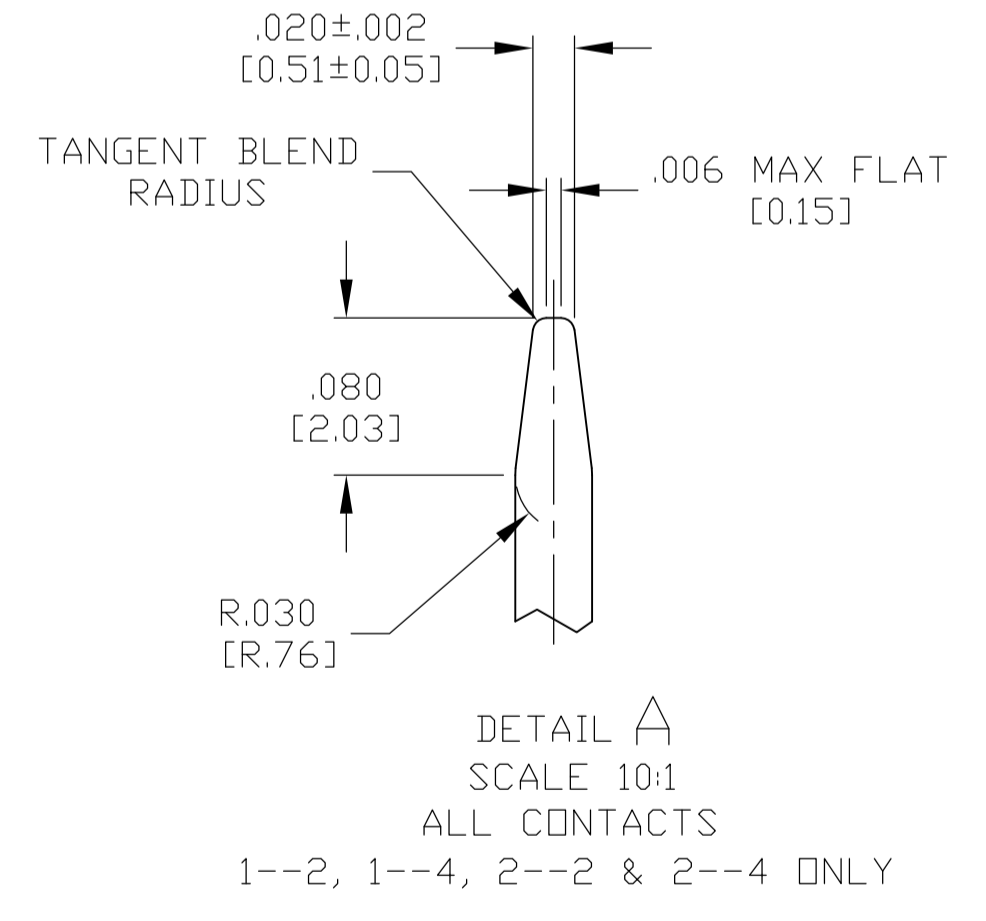
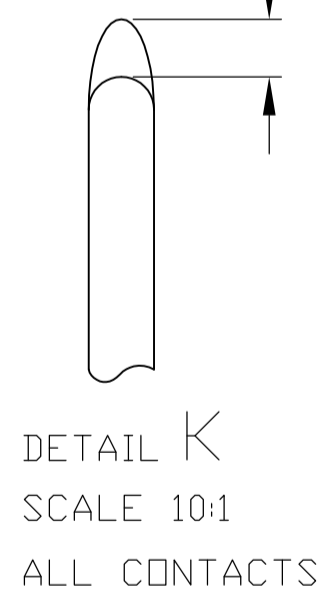
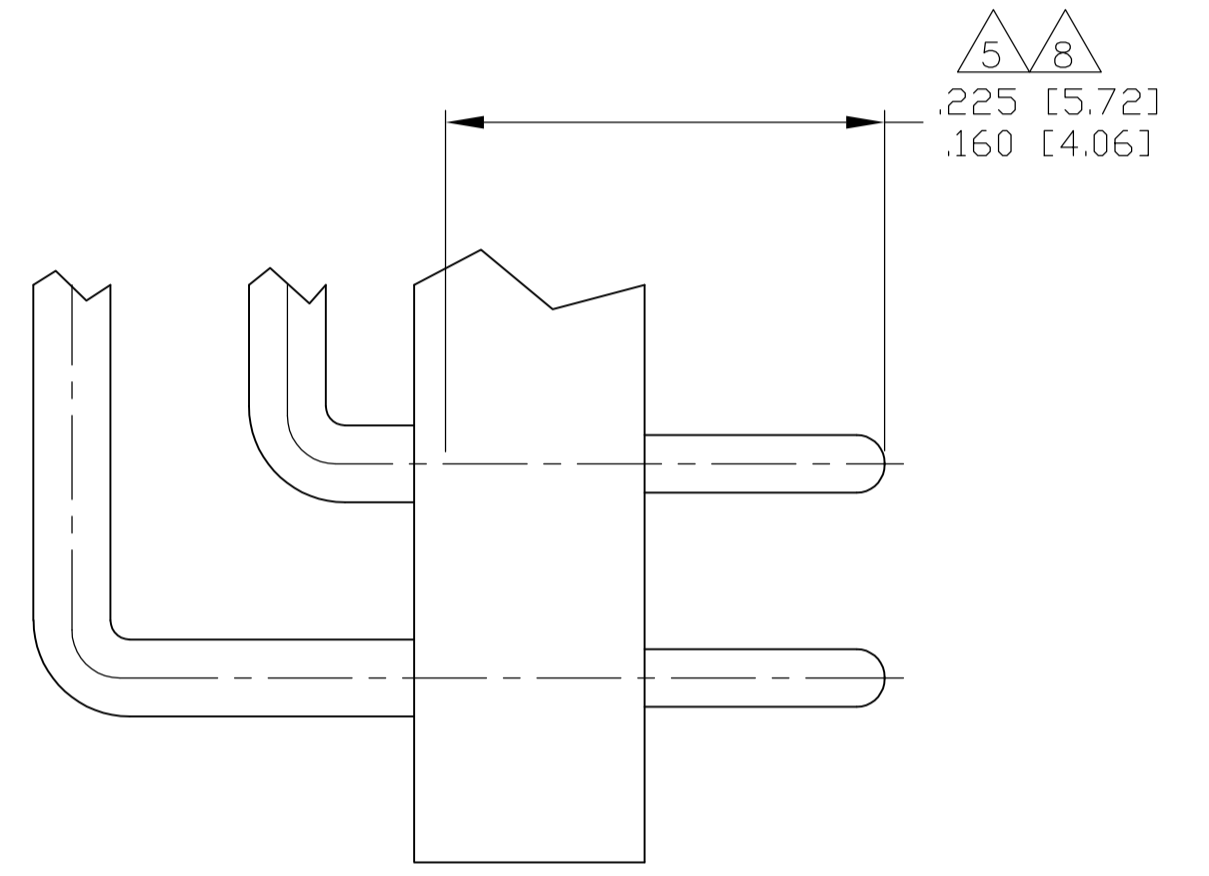
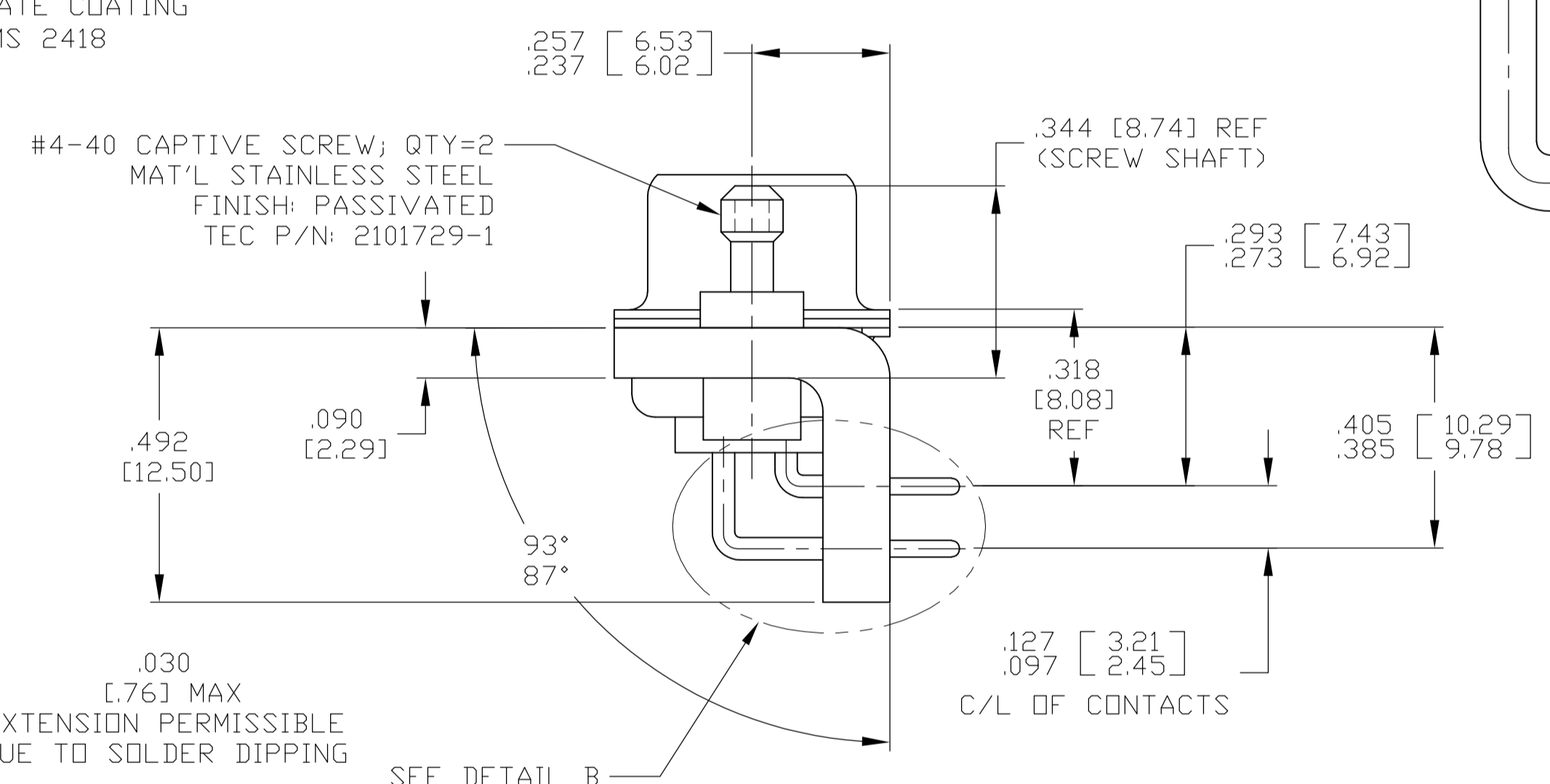
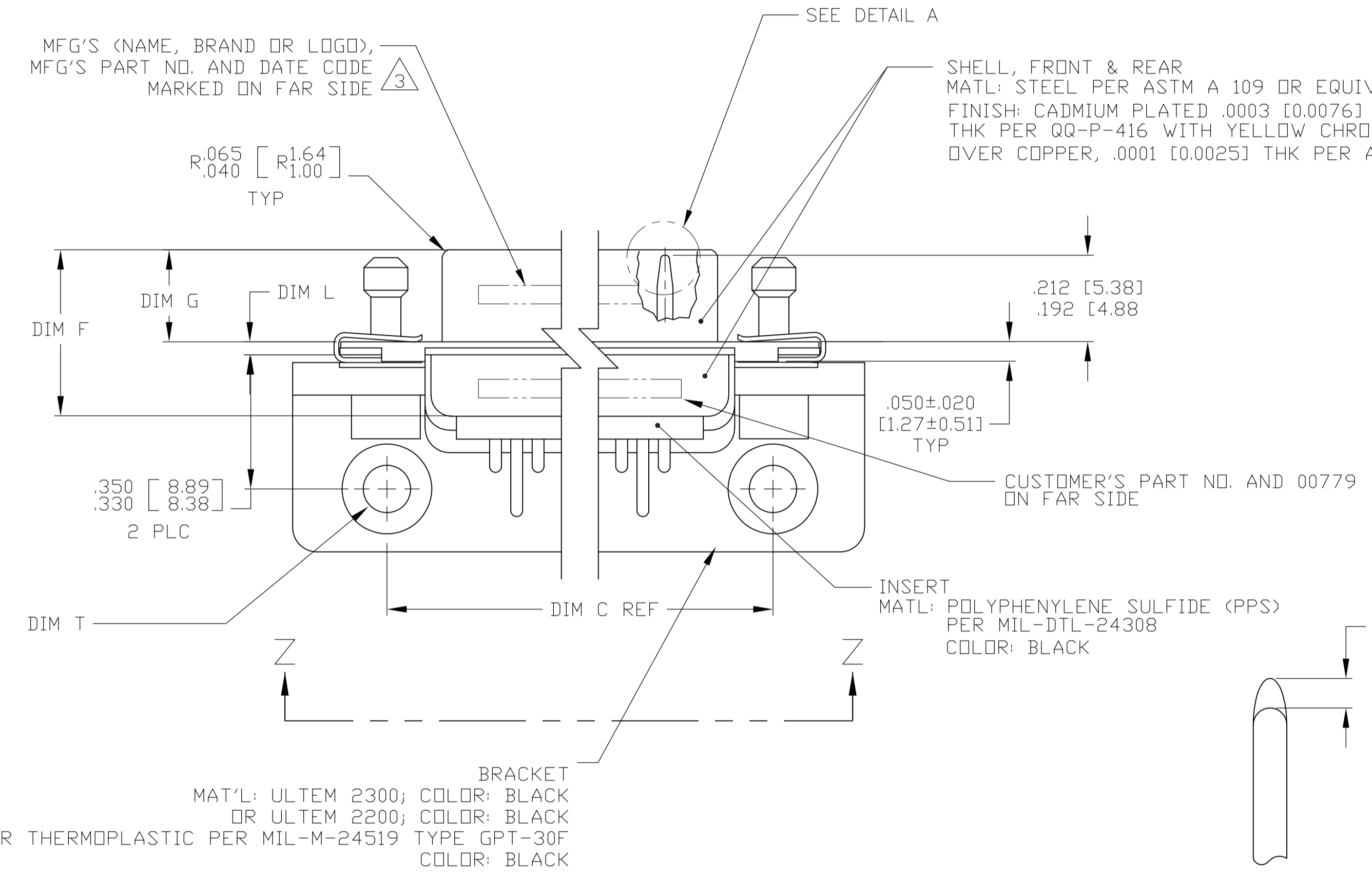


REVISIONS					
P	LTR	DESCRIPTION	DATE	DN	APVD
U	REV PER ECO	17-010391	8-8-17	CT	DM



- 1 SEE SHEET 2 FOR RECOMMENDED P.C. BOARD LAYOUT. TRUE POSITION TOLERANCE FOR P.C. BOARD LAYOUT IS .010 [0.25] AT MAX MATERIAL CONDITION. SUGGESTED BOARD THICKNESS IS .062 [1.57]
- 2 THE CONNECTORS DESCRIBED IN THIS DOCUMENT MEET THE REQUIREMENTS OF MIL-DTL-24308 AND MATE WITH ANY RECEPTACLE CONNECTOR WITH SAME INSERT ARRANGEMENT.
- 3 MARKED WITH .047 [1.19]-.062 [1.57] HIGH CHARACTERS. FAR SIDE REFERS TO THE WIDE SIDE OF THE KEYSTONE. NEAR SIDE REFERS TO THE NARROW SIDE OF THE KEYSTONE. IF THE SHELL IS TOO SMALL FOR THE ENTIRE MARKING MARKING SHALL BE SPLIT AS FOLLOWS:
 - A. *MFG'S* (NAME, BRAND OR LOGO), AND DATE CODE ON FRONT SHELL, NEAR SIDE.
 - B. *MFG'S* PART NUMBER ON REAR SHELL, NEAR SIDE.
- 4 SOLDER DIPPED PER J-STD-001, CLASS 3 WITH Sn63 SOLDER PER J-STD-006 IN THIS REGION (LOOSE PIECE).
- 5 SOLDER DIP INSPECTED PRIOR TO ASSEMBLY.



SHELL SIZES 1 THRU 4 CONTACT CONFIGURATION

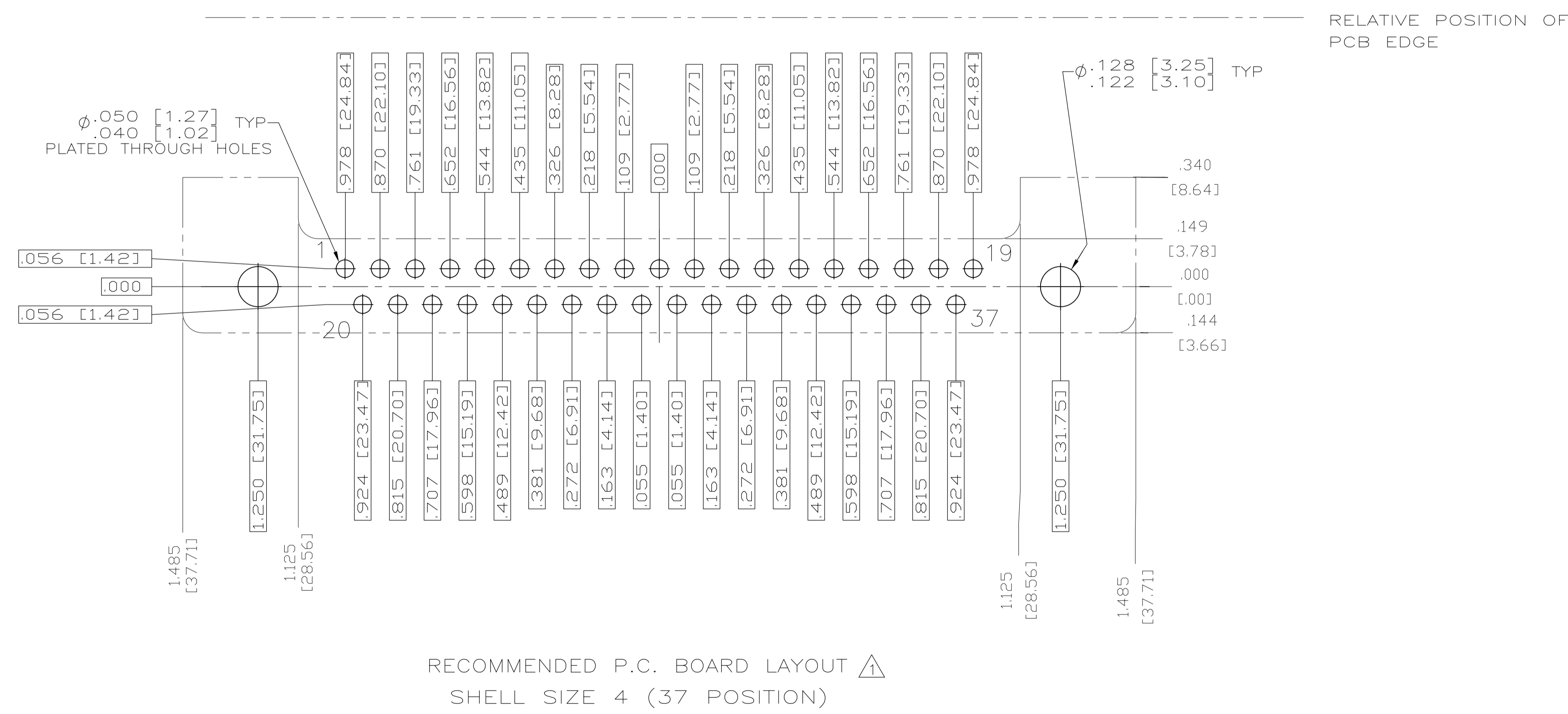
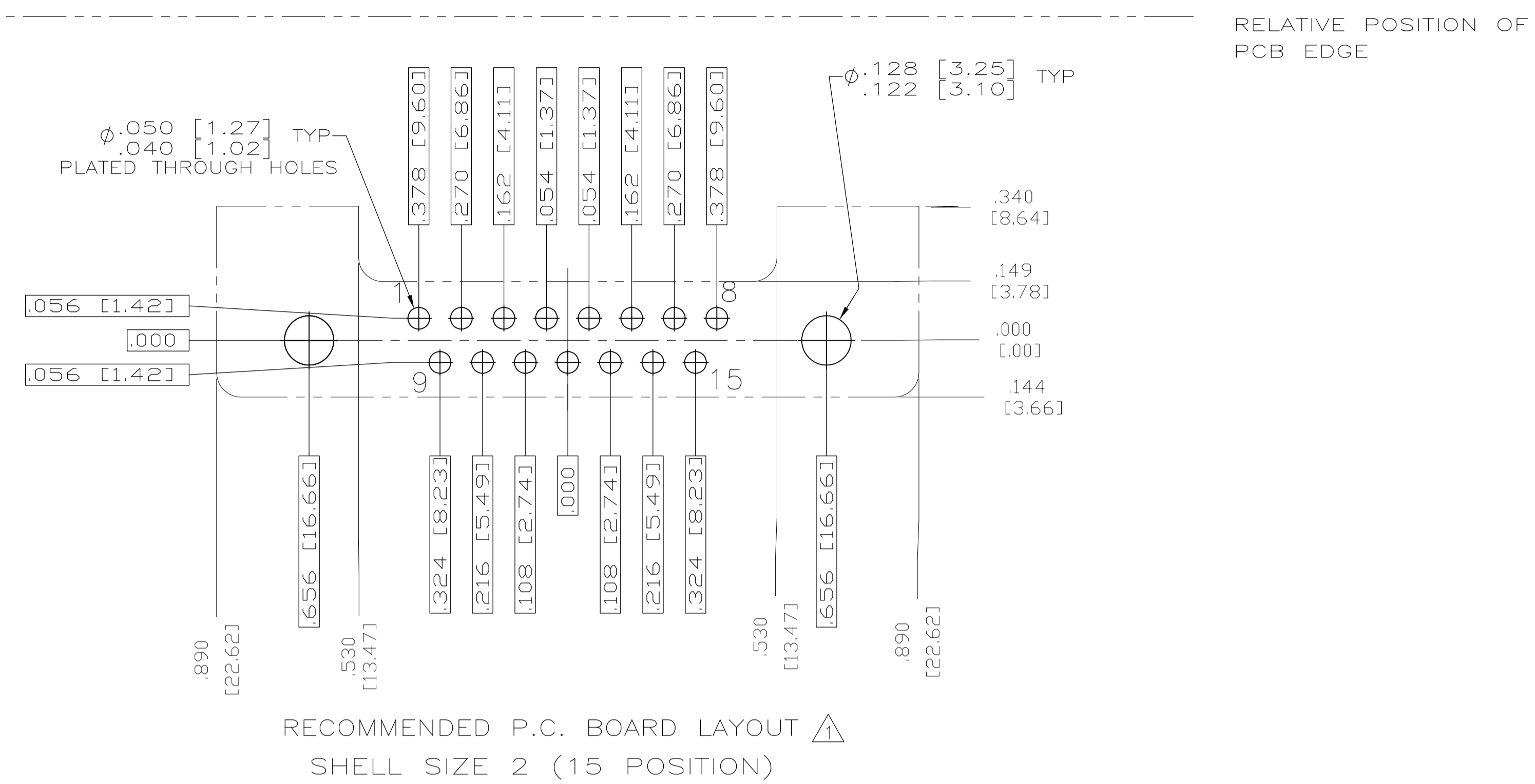
DIM T	DIM L	DIM J	DIM H	DIM G	DIM F	DIM E	DIM D	DIM C	DIM B	DIM A	INSERT ARRANGEMENT	NO OF POS	SHELL SIZE	CUSTOMER'S P/N MARKED ON CONNECTOR	MFG'S P/N MARKED ON CONNECTOR	MFG'S PART NO.
0.128 ^{+0.005} _{-0.001} [3.25 ^{+0.13} _{-0.03}] (2 PLC)	.049 [1.24]	.432 [10.97]	2.282 [57.96]	.236 [5.99]	.436 [11.07]	.509 [12.93]	.334 [8.48]	2.505 [63.63]	2.187 [54.97]	2.744 [69.70]	MS18276-1	37	4	13604039-1	2-2101619-4	2-2101619-4
Ø.220 [5.59] X .060 [1.52] C-BORE	.029 [0.74]	.412 [10.46]	2.262 [57.45]	.224 [5.69]	.416 [10.57]	.479 [12.17]	.324 [8.23]	2.495 [63.37]	2.177 [54.71]	2.714 [68.94]	MS18274-1	15	2	13604039-2	2-2101619-2	2-2101619-2
0.128 ^{+0.005} _{-0.001} [3.25 ^{+0.13} _{-0.03}] (2 PLC)	.040 [1.02]	.432 [10.97]	1.093 [27.76]	.238 [6.05]	.432 [10.97]	.509 [12.93]	.334 [8.48]	1.317 [33.45]	.999 [24.79]	1.556 [39.52]	MS18276-1	37	4	13603949-1	1-2101619-4	1-2101619-4
Ø.220 [5.59] X .060 [1.52] C-BORE	.020 [0.51]	.412 [10.46]	1.073 [27.25]	.229 [5.82]	.412 [10.46]	.479 [12.17]	.324 [8.23]	1.307 [33.20]	.989 [24.54]	1.526 [38.76]	MS18274-1	15	2	13603949-2	1-2101619-2	1-2101619-2
Ø.120 [3.05] (2 PLC)	.049 [1.24]	.432 [10.97]	2.282 [57.96]	.236 [5.99]	.436 [11.07]	.509 [12.93]	.334 [8.48]	2.505 [63.63]	2.187 [54.97]	2.744 [69.70]	MS18276-1	37	4	13603949-1	1-2101619-4	1-2101619-4
Ø.228 [5.80] X 82° C-SINK	.029 [0.74]	.412 [10.46]	2.262 [57.45]	.224 [5.69]	.416 [10.57]	.479 [12.17]	.324 [8.23]	2.495 [63.37]	2.177 [54.71]	2.714 [68.94]	MS18274-1	15	2	13603949-2	1-2101619-2	1-2101619-2
Ø.120 [3.05] (2 PLC)	.040 [1.02]	.432 [10.97]	1.093 [27.76]	.238 [6.05]	.432 [10.97]	.509 [12.93]	.334 [8.48]	1.317 [33.45]	.999 [24.79]	1.556 [39.52]	MS18276-1	37	4	2101619-4	2101619-4	
Ø.228 [5.80] X 82° C-SINK	.020 [0.51]	.412 [10.46]	1.073 [27.25]	.229 [5.82]	.412 [10.46]	.479 [12.17]	.324 [8.23]	1.307 [33.20]	.989 [24.54]	1.526 [38.76]	MS18274-1	15	2	2101619-2	2101619-2	
SUPERSEDED BY 1-2101619-4	.049 [1.24]	.432 [10.97]	2.282 [57.96]	.236 [5.99]	.436 [11.07]	.509 [12.93]	.334 [8.48]	2.505 [63.63]	2.187 [54.97]	2.744 [69.70]	MS18276-1	37	4	2101619-4	2101619-4	
SUPERSEDED BY 1-2101619-2	.029 [0.74]	.412 [10.46]	2.262 [57.45]	.224 [5.69]	.416 [10.57]	.479 [12.17]	.324 [8.23]	2.495 [63.37]	2.177 [54.71]	2.714 [68.94]	MS18274-1	15	2	2101619-2	2101619-2	
	.040 [1.02]	.432 [10.97]	1.093 [27.76]	.238 [6.05]	.432 [10.97]	.509 [12.93]	.334 [8.48]	1.317 [33.45]	.999 [24.79]	1.556 [39.52]	MS18276-1	37	4	2101619-4	2101619-4	
	.020 [0.51]	.412 [10.46]	1.073 [27.25]	.229 [5.82]	.412 [10.46]	.479 [12.17]	.324 [8.23]	1.307 [33.20]	.989 [24.54]	1.526 [38.76]	MS18274-1	15	2	2101619-2	2101619-2	

THIS DRAWING IS A CONTROLLED DOCUMENT. DIMENSIONING AND TOLERANCING PER ASME Y14.5M (ISO STANDARDS). DIMENSIONS: INCHES [mm]. TOLERANCES UNLESS OTHERWISE SPECIFIED: 0 PLC ± .005 [0.13], 1 PLC ± .005 [0.13], 2 PLC ± .005 [0.13], 3 PLC ± .005 [0.13], 4 PLC ± .005 [0.13]. ANGLES: ± 1'.

MATERIAL: SEE CALLOUTS. FINISH: SEE CALLOUTS. WEIGHT: 0. A1 00779 C=2101619. CUSTOMER DRAWING. SCALE: 4:1. SHEET 1 OF 2. REV U.

DIN C.C.THOMAS 11-4-09. CTK: R. LEASE 11-4-09. NAME: PLUG ASSEMBLY, AMPLIMITE, RT ANGLE SPECIAL, SERIES 109. APPLICATION SPEC: -. SIZE: A1. CAGE CODE: 00779. DRAWING NO: 2101619. RESTRICTED TO: -. CUSTOMER DRAWING. SCALE: 4:1. SHEET 1 OF 2. REV U.

REVISIONS				
P	LTR	DESCRIPTION	DATE	APP'D
-		SEE SHEET 1	-	-



THIS DRAWING IS A CONTROLLED DOCUMENT. DIMENSIONING AND TOLERANCING PER ASME Y14.5M (ISO STANDARDS)		DIN C.C.THOMAS 11-4-09	TE Connectivity
DIMENSIONS: INCHES [mm]		CHK: RELEASE 11-4-09	
TOLERANCES UNLESS OTHERWISE SPECIFIED:		APP'D: RELEASE 11-4-09	NAME: PLUG ASSEMBLY,AMPLIMITE,RT ANGLE SPECIAL, SERIES 109
0 PL ± - 1 PL ± - 2 PL ± - 3 PL ± .005 [0.13] 4 PL ± - ANGLES ± 1°		APPLICATION SPEC	
MATERIAL: SEE CALLOUTS	FINISH: SEE CALLOUTS	WEIGHT: 0	RESTRICTED TO: -
CUSTOMER DRAWING		SIZE: A1	SCALE: 4:1
		CAGE CODE: 00779	DRAWING NO: 2101619
		SHEET: 2	OF: 2
		REV: U	

Mouser Electronics

Authorized Distributor

Click to View Pricing, Inventory, Delivery & Lifecycle Information:

[TE Connectivity:](#)

[1-2101619-4](#)