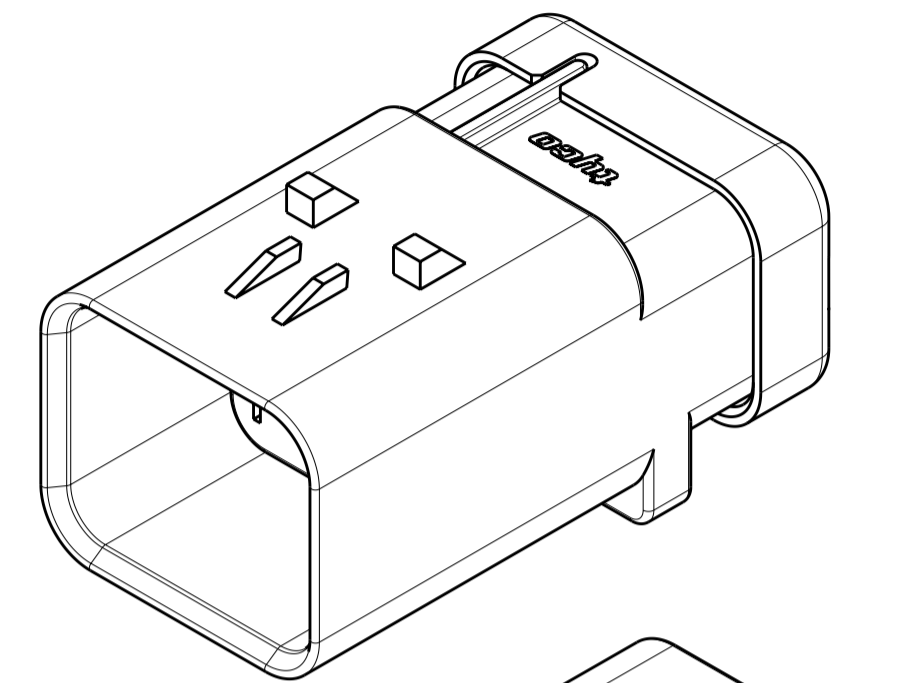
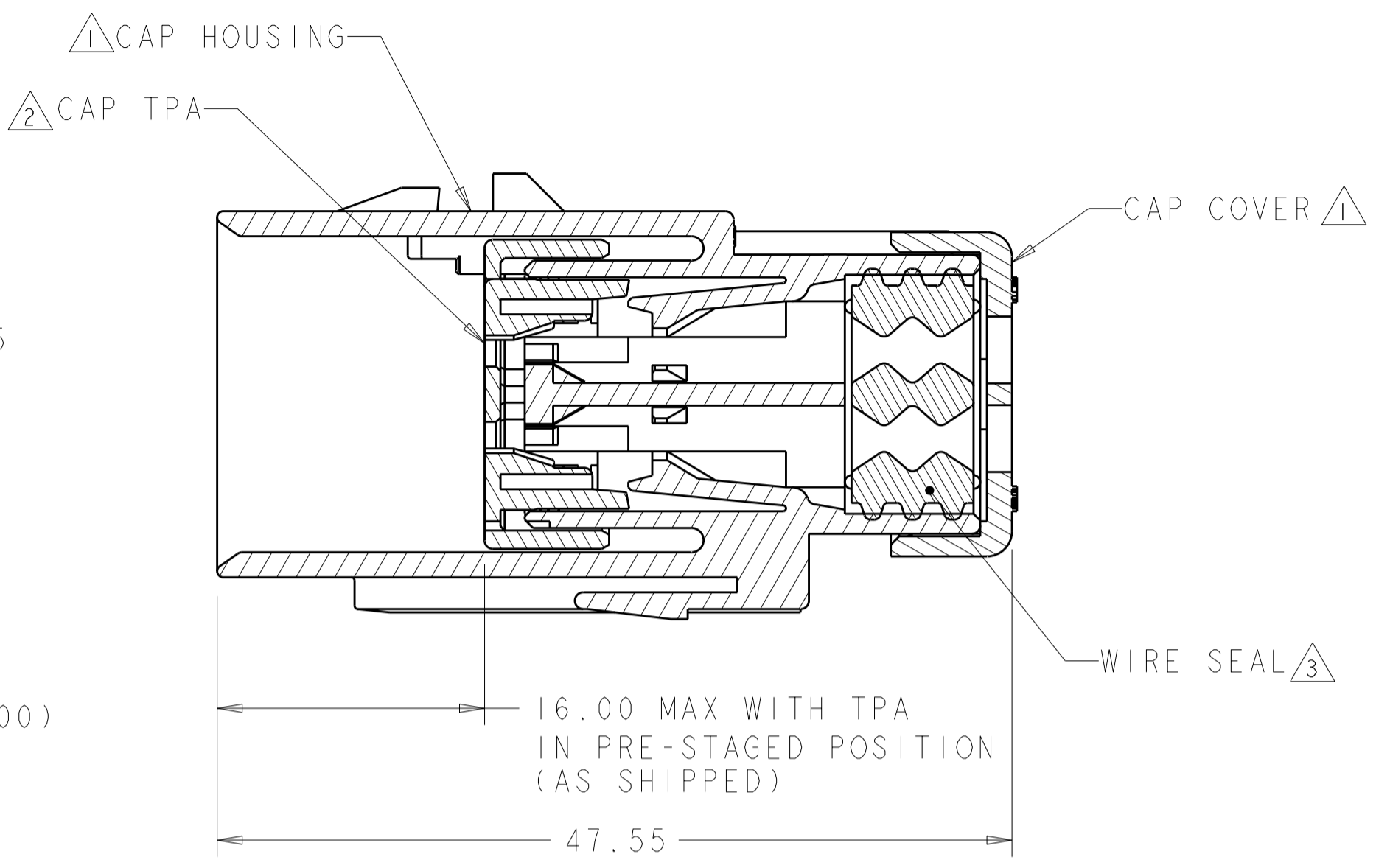
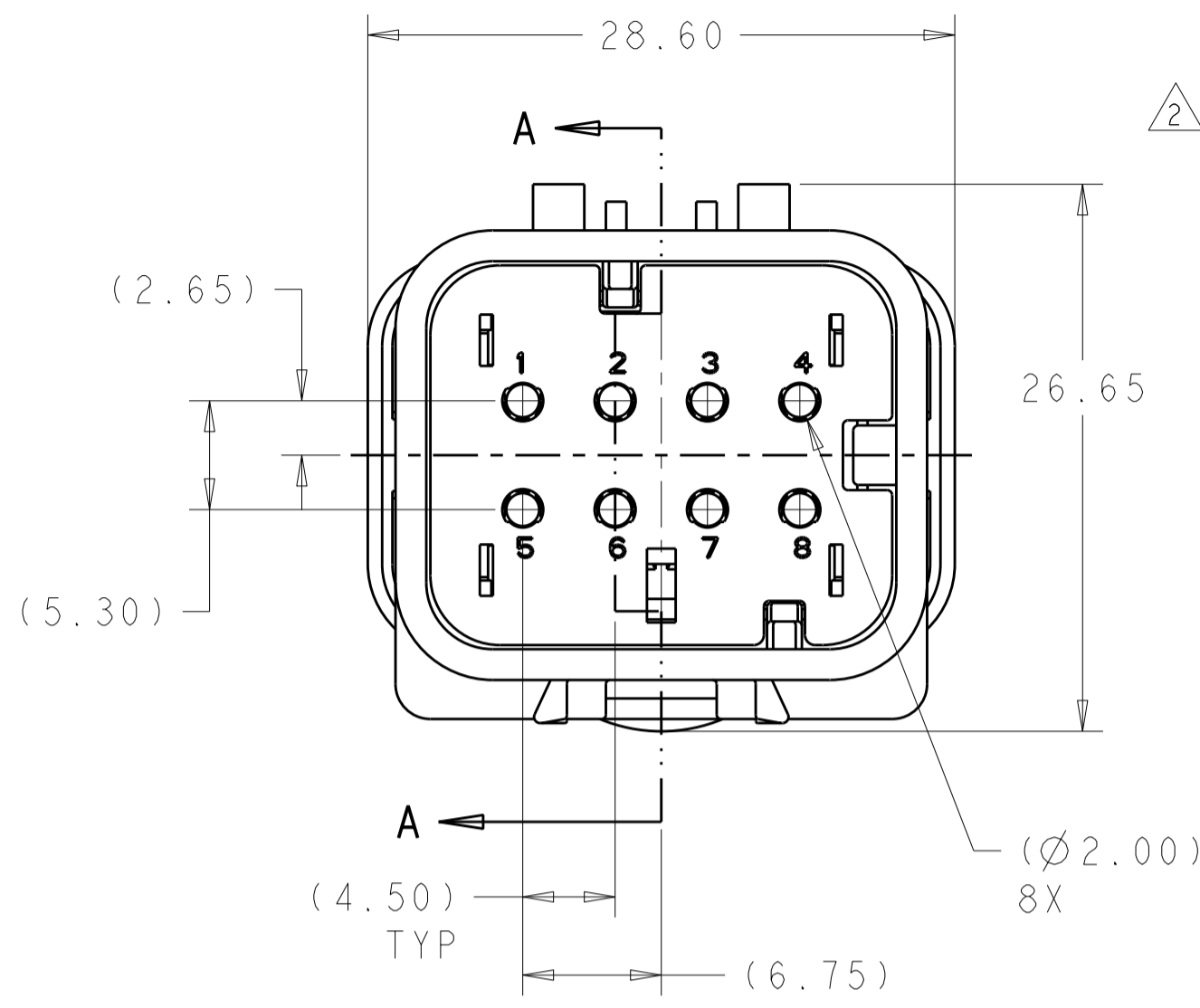
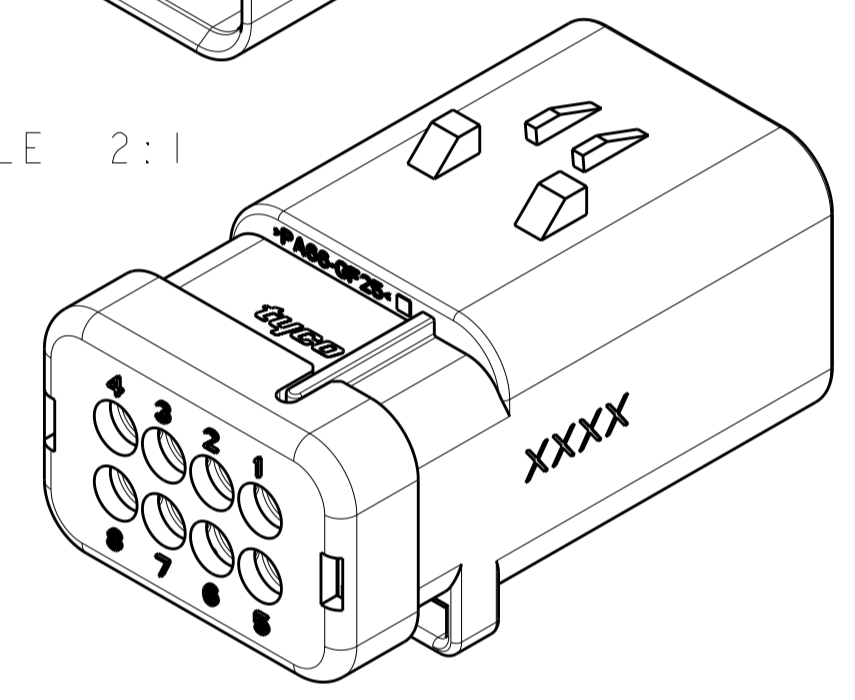


THIS DRAWING IS UNPUBLISHED. RELEASED FOR PUBLICATION  
 © COPYRIGHT 20 BY - ALL RIGHTS RESERVED.

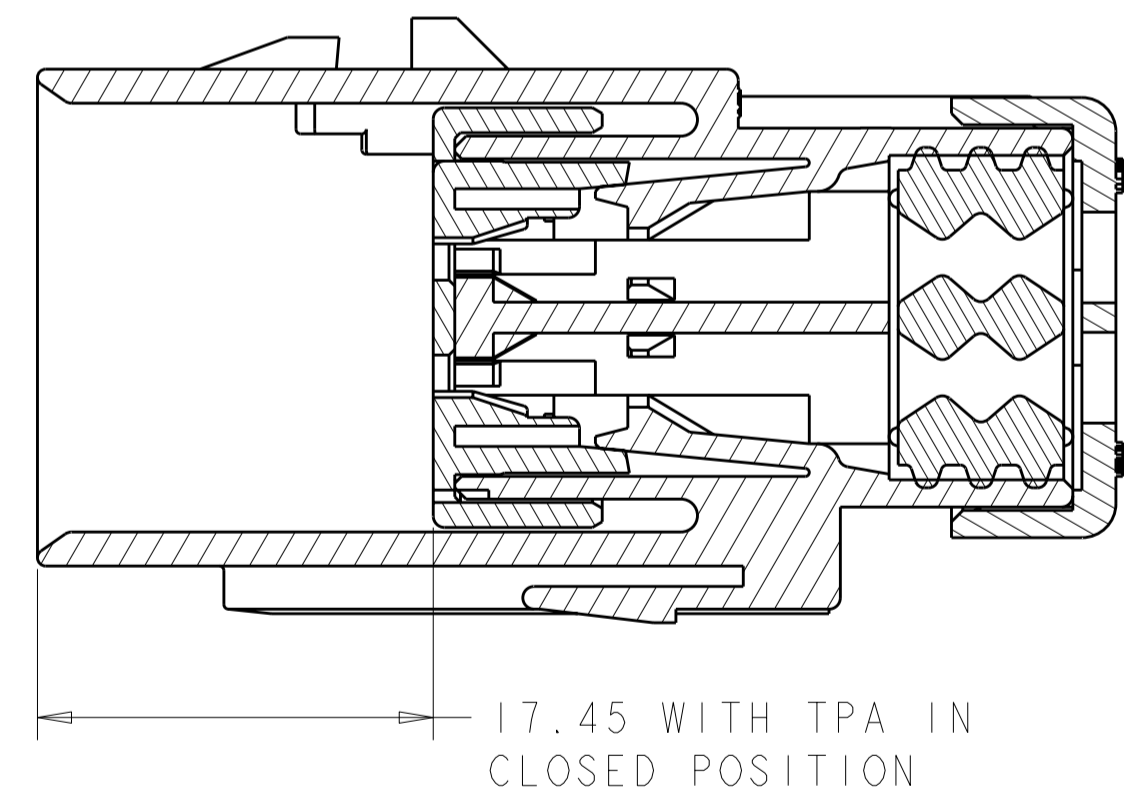
LOC	DIST	REVISIONS			
P	LTR	DESCRIPTION	DATE	DWN	APVD
BV	00	A	RELEASED PER ECO-12-003579	24FEB2012	RW RB



SCALE 2:1

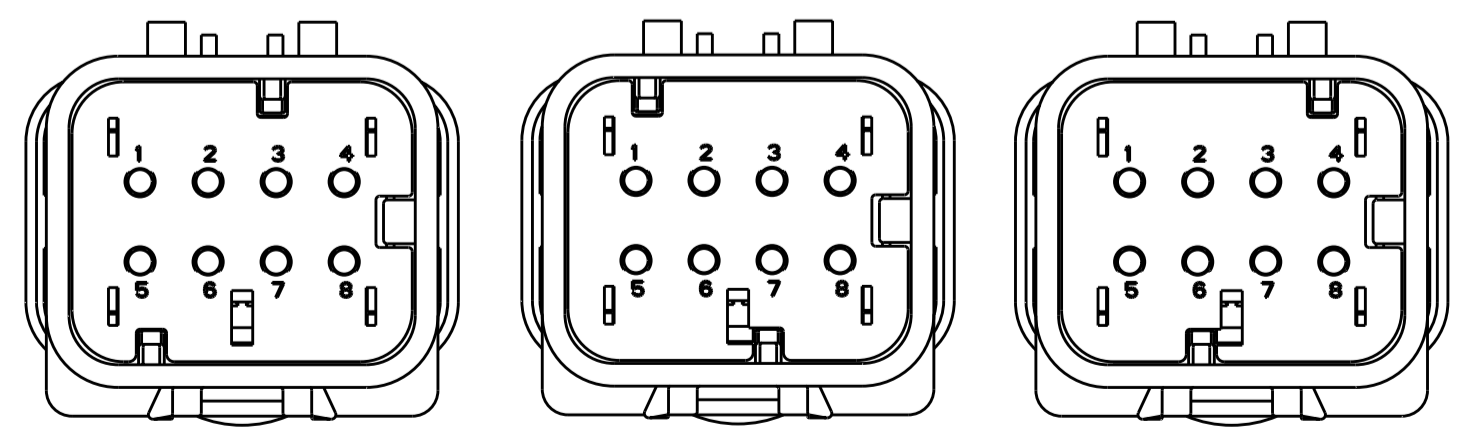


2098554-1 SHOWN  
ORANGE TPA  
KEY A



SECTION A-A  
CLOSED POSITION

- ① HOUSING AND COVER MATERIAL: 25% GLASS FILLED THERMOPLASTIC, COLOR: NATURAL (BROWN)
- ② TPA MATERIAL: 20% GLASS FILLED THERMOPLASTIC COLOR: (SEE TABLE)
- ③ SEAL MATERIAL: SILICONE COLOR: YELLOW
- 4. RECOMMENDED WIRE DIAMETER RANGE IS 2.18-3.67mm



2098554-2  
PURPLE TPA  
KEY B  
SCALE 2:1

2098554-3  
BLUE TPA  
KEY C  
SCALE 2:1

2098554-4  
TAN TPA  
KEY D  
SCALE 2:1

TAN	2098554-4
BLUE	2098554-3
PURPLE	2098554-2
ORANGE	2098554-1
TPA COLOR	PART NUMBER

THIS DRAWING IS A CONTROLLED DOCUMENT. DIMENSIONING AND TOLERANCING PER ASME Y14.5M-2009		DWN RUSTY WORTHINGTON CHK ROGER BALTER APVD ROGER BALTER	1DEC2009 1DEC2009 1DEC2009	TE Connectivity NAME CAP ASSEMBLY, 8 POSITION, DUAL ROW, AMPSEAL 16 VO MATERIAL
DIMENSIONS: mm	TOLERANCES UNLESS OTHERWISE SPECIFIED: 0 PLC ± 1 PLC ±0.5 2 PLC ±0.30 3 PLC ± 4 PLC ± ANGLES ± FINISH	PRODUCT SPEC 108-2184 APPLICATION SPEC 114-13065 WEIGHT -	SIZE A200779	
MATERIAL		CUSTOMER DRAWING		RESTRICTED TO -
SCALE 2:1		SHEET 1 OF 1		REV A

# Mouser Electronics

Authorized Distributor

Click to View Pricing, Inventory, Delivery & Lifecycle Information:

[TE Connectivity:](#)

[2098554-3](#)