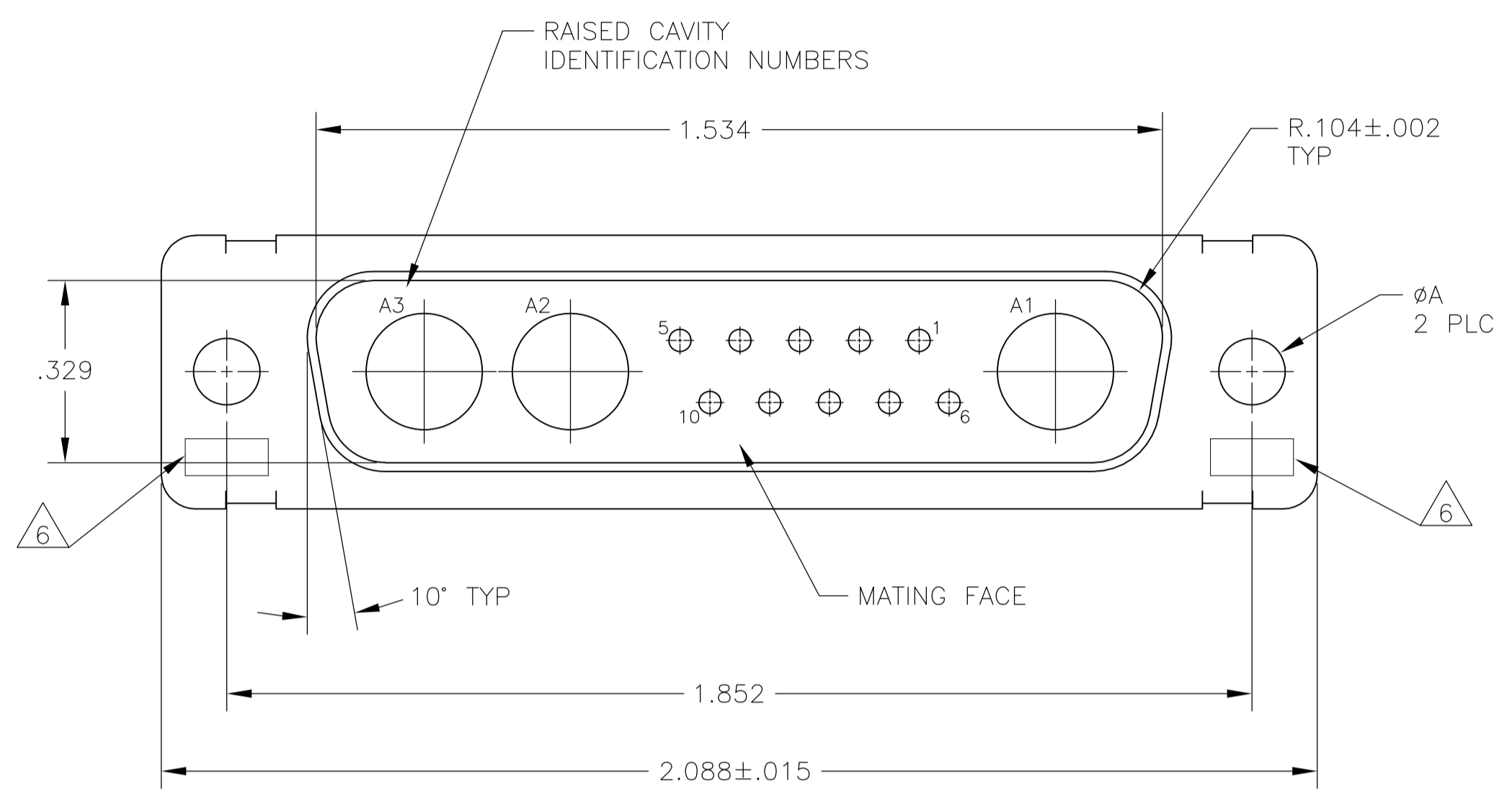
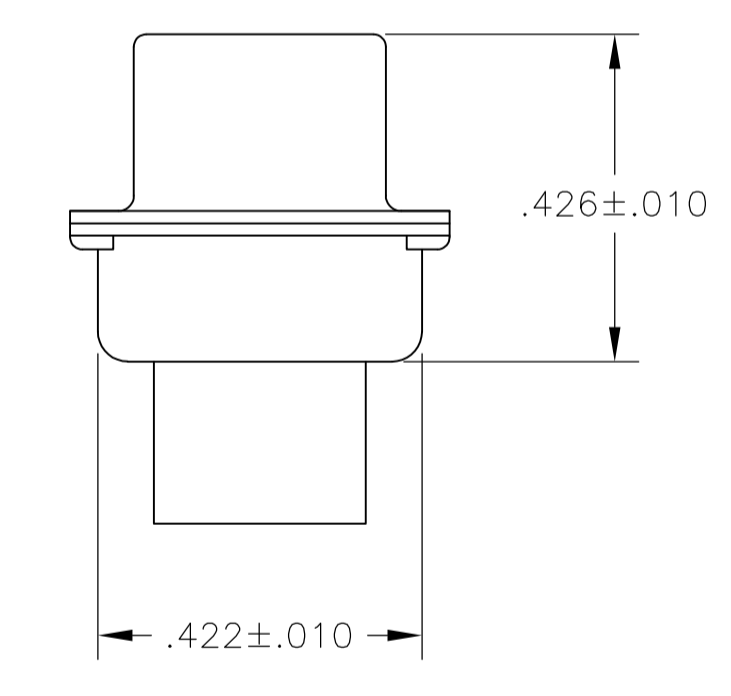
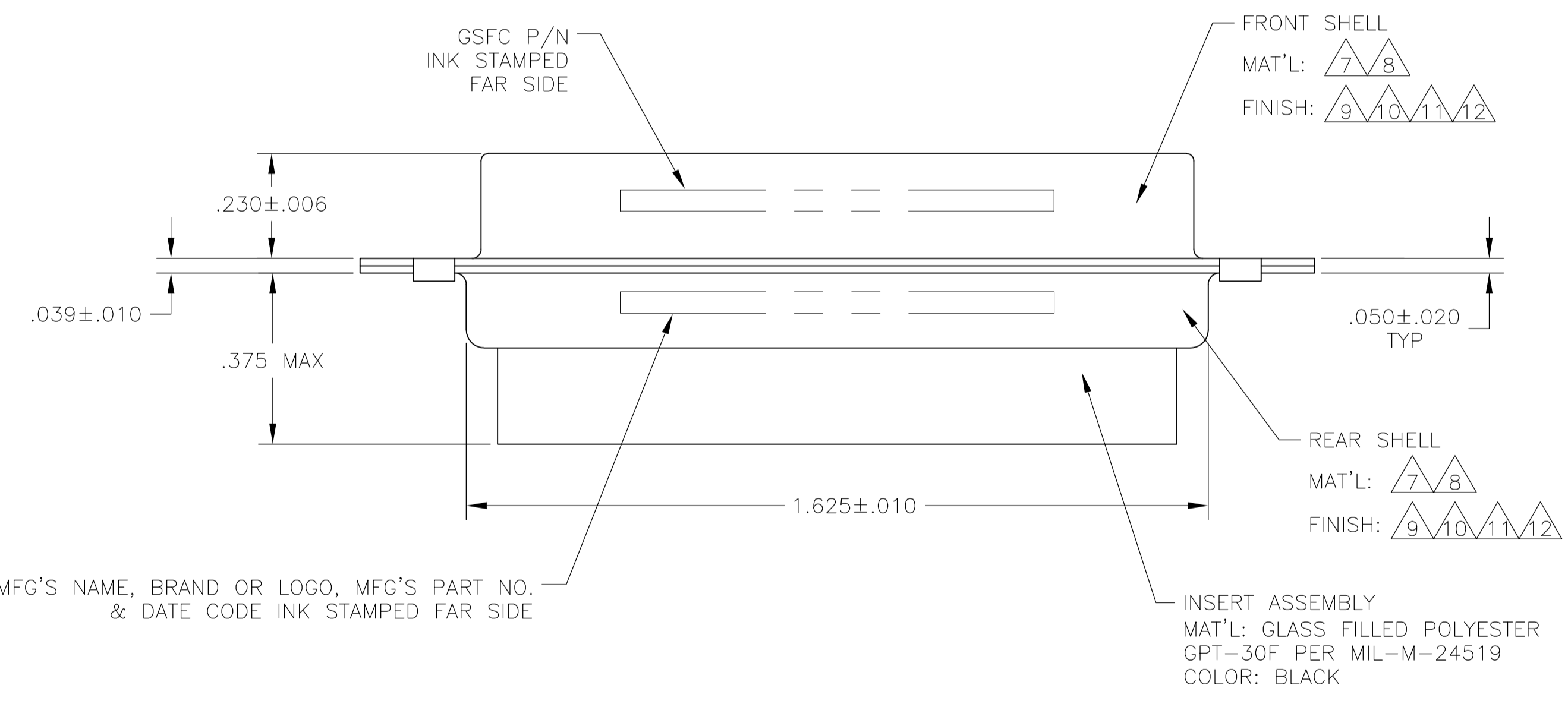


LOC		DIST		REVISIONS			
P	LTR	DESCRIPTION	DATE	DN	APVD		
S		REVISED PER ECO-15-016251	13NOV15	KG	CD		



1. THIS PLUG WILL MATE WITH ANY 13C3, SIZE 3 RECEPTACLE IN AMPLIMITE SERIES.
2. MAXIMUM WIRE INSULATION TO BE USED WITH THIS PLUG IS  $\phi.068$ .
3. THIS CONNECTOR ACCEPTS (3) POWER 8, OR COAX PIN CONTACTS IN POSITIONS A1 THRU A3, PURCHASED SEPARATELY.
4. THIS CONNECTOR ACCEPTS SIZE 20 PIN SIGNAL CONTACTS IN POSITIONS 1 THRU 10, PURCHASED SEPARATELY.
5. GROUNDING INDENTS FOR 208810-2 & 5-208810-2 ONLY (NOT SHOWN ON DRAWING).
6. UL/CSA DESIGNATION STAMPED IN THIS AREA, OPTIONAL.
7. STEEL PER ASTM-A-109.
8. BRASS PER MIL-C-50 AND ASTM-B-36 UNS NO. C26000.
9. FINISH: TIN PER ASTM-B-545 .000400 MIN THK OVER COPPER PER AMS2418 .000050 MIN THK.
10. CADMIUM PLATED PER QQ-P-416.
11. FINISH: GOLD PLATED PER MIL-G-45204 TYPE II, GRADE C, CLASS 1 OVER COPPER PER MIL-C-14550, CLASS IV.
12. FINISH: ZINC PLATE PER ASTM-B-633, .000200-.000400 THK WITH SUPPLEMENTARY CHROMATE (Cr3+)



5 7 9	.120	-	5-208810-2
7 12	.120	-	5-208810-1
8 11	.154	311P405-12P-B-15	208810-4
8 11	.120	311P405-12P-B-12	208810-3
5 7 9	.120	-	208810-2
7 10	.120	-	208810-1
REMARKS	ØA	GSFC P/N	MFG'S PART NO.

THIS DRAWING IS A CONTROLLED DOCUMENT.

DIMENSIONS: INCHES	TOLERANCES UNLESS OTHERWISE SPECIFIED:	DIN C.C.THOMAS 04FEB88	DRW C.C.THOMAS 04FEB88	 TE Connectivity
0 PLC ± -	1 PLC ± -	CHK A.FMADI 09FEB88	APVD A.FMADI 09FEB88	
2 PLC ± -	3 PLC ± .005(0.13)	NAME PLUG ASSEMBLY		
4 PLC ± -	ANGLES ± 0°30'	PRODUCT SPEC AMPLIMITE 13C3		
MATERIAL	FINISH	APPLICATION SPEC	SIZE A1	SIZE 3, SERIES 109, COAX MIX
		WEIGHT	00779	208810
CUSTOMER DRAWING		SCALE 4:1	SHEET 1 OF 1	REV S

# Mouser Electronics

Authorized Distributor

Click to View Pricing, Inventory, Delivery & Lifecycle Information:

[TE Connectivity:](#)

[208810-1](#)