

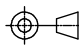


## CODE 41 - BRAID TAIL BACKSHELL

**204M016-19B08**

SERIES \_\_\_\_\_  
 ORDER NUMBER (TABLE 1) \_\_\_\_\_  
 MATERIAL \_\_\_\_\_  
   REFER TO CH00-0250-004  
 FINISH \_\_\_\_\_  
   REFER TO CH00-0250-004  
 ENTRY SIZE (TABLE 2) \_\_\_\_\_  
 MODIFICATION CODE \_\_\_\_\_  
   REFER TO CH00-0250-004 (2)

### NOTES:

1. THIS PRODUCT IS DESIGNED TO TERMINATE A HEAT SHRINKABLE LIPPED BOOT TO A CONNECTOR.
- (2) FOR ADDITIONAL DIMENSIONS, ORDERING INFORMATION AND MODIFICATIONS, SEE CH00-0250-004
3. BACKSHELL TO BE PERMANENTLY MARKED/BAGGED AND LABELLED WITH CODE IDENTIFICATION NUMBER AND PART NUMBER. (e.g. 06090-204M012-19B08).
- (4) WHEN ENTRY SIZE EXCEEDS "MAX ENTRY", A 2 PIECE BACKSHELL (TYPE 2) IS SUPPLIED.
5. BRAID TERMINATION RING MAY BE SUPPLIED AS TINEL-LOCK SHAPE MEMORY RING AT MANUFACTURERS OPTION.
6. BACKSHELL MATES TO MIL-DTL-38999 SERIES I & II, CLASS E & T, MS27466, MS27467, MS27468, MS27472, MS27473, MS27474, MS27479, MS27480, MS27481, MS27484, MS27497, MS27652, MS27653, MS27654, MS27656 CONNECTORS.

DRAWN	K.WINCZURA	DATE 17/04/2015	 3RD ANGLE PROJECTION NOT TO SCALE	<b>TITLE:</b>  <div style="text-align: center; font-size: 1.2em;">BRAID TAIL BACKSHELL</div>	 <b>Polamco</b>  <b>TE</b> <small>connectivity</small>
CHECKED		17/04/2015	UNLESS OTHERWISE SPECIFIED ALL DIMENSIONS IN MILLIMETRES GENERAL TOL LINEAR +/-0.25MM ANGULAR +/- 1°	<b>ASSY USED ON:</b>  <div style="text-align: center; font-size: 1.2em;">MIL-DTL-38999 SERIES I &amp; II</div>	
APPROVED	K.SHEPPARD	27/04/2015			
APPROVED	H.SMITH	01/09/2015			
<b>REVISIONS</b>					
LTR	DESCRIPTION	DATE	APPROVED		
M	REVISED PER ECN AD930				
N	REVISED PER ECO-15-012000	01/09/2015	H.SMITH		
TE CAGE CODE: 06090 POLAMCO/TE CAGE CODE: U5792				TE CONNECTIVITY - POLAMCO LTD RESERVES THE RIGHT TO AMEND THIS DRAWING AND THE INFORMATION SET FORTH HEREON AT ANY TIME. USERS SHOULD INDEPENDENTLY EVALUATE THE SUITABILITY OF THE PRODUCT FOR THEIR APPLICATION.	DRAWING NO: <b>204M0XX</b>
				DRAWING REV: <b>N</b>	SHT <b>1</b>

IF MAX ENTRY IS EXCEEDED BACKSHELL  
WILL BE SUPPLIED AS TYPE 2

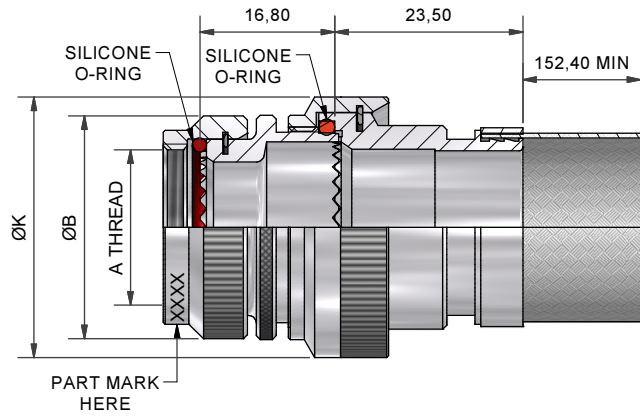
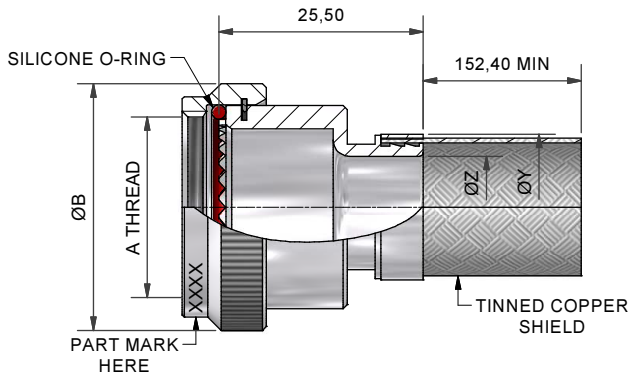
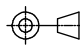



TABLE 1

ORDER NUMBER	SHELL SIZE SER 1 / SER 2	A THREAD	ØB MAX	MAX ENTRY
08	09 / 08	7/16-28UNEF	18,3	04
10	11 / 10	9/16-24UNEF	21,5	06
12	13 / 12	11/16-24UNEF	24,5	08
14	15 / 14	13/16-20UNEF	27,8	10
16	17 / 16	15/16-20UNEF	30,8	12
18	19 / 18	1 1/16-18UNEF	34,1	13
20	21 / 20	1 3/16-18UNEF	37,3	15
22	23 / 22	1 5/16-18UNEF	40,5	17
24	25 / 24	1 7/16-18UNEF	43,7	18

TABLE 2

ENTRY SIZE	ØK MAX	ØZ REF	ØY REF
03	NA	4,77	13,1
04	NA	6,35	13,1
05	21,0	7,92	13,1
06	21,0	9,52	17,9
07	21,0	11,12	17,9
08	24,5	12,70	17,9
09	24,5	14,27	17,9
10	29,0	15,87	24,2
11	32,5	17,47	24,2
12	32,5	19,05	24,2
13	35,5	20,62	24,2
14	35,5	22,23	30,6
15	37,0	23,82	30,6
16	37,0	25,40	30,6
17	40,0	26,98	33,2
18	40,0	28,60	33,2
20	43,5	31,80	42,0
21	48,5	33,34	42,0
22	48,5	35,00	42,0
24	52,1	38,10	42,0
28	58,5	44,45	49,0

DRAWN	K.WINCZURA	DATE	17/04/2015	 3RD ANGLE PROJECTION NOT TO SCALE
CHECKED		DATE	17/04/2015	
APPROVED	K.SHEPPARD	DATE	27/04/2015	
APPROVED	H.SMITH	DATE	01/09/2015	
REVISIONS				
LTR	DESCRIPTION	DATE	APPROVED	
M	REVISED PER ECN AD930			
N	REVISED PER ECO-15-012000	01/09/2015	H.SMITH	
TE CAGE CODE: 06090 POLAMCO/TE CAGE CODE: U5792				

TITLE:		 Polamco TE connectivity		
BRAID TAIL BACKSHELL				
ASSY USED ON:		MIL-DTL-38999 SERIES I & II		
MIL-DTL-38999 SERIES I & II				
TE CONNECTIVITY - POLAMCO LTD RESERVES THE RIGHT TO AMEND THIS DRAWING AND THE INFORMATION SET FORTH HEREON AT ANY TIME. USERS SHOULD INDEPENDENTLY EVALUATE THE SUITABILITY OF THE PRODUCT FOR THEIR APPLICATION.		DRAWING NO:	DRAWING REV:	SHT
		204M0XX	N	2

If this document is printed it becomes uncontrolled. Check for the latest revision

# Mouser Electronics

Authorized Distributor

Click to View Pricing, Inventory, Delivery & Lifecycle Information:

[TE Connectivity:](#)

[204M018-19A12](#)