

4

3

2

1

THIS DRAWING IS UNPUBLISHED.

RELEASED FOR PUBLICATION

© COPYRIGHT

ALL RIGHTS RESERVED.

LOC DIST


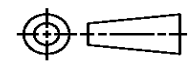
REVISIONS

P	LTR	DESCRIPTION	DATE	DWN	APVD

REPLACED BY OCEAN STYLE APPLICATOR PART NUMBER

FOR REPLACEMENT PARTS FOR APPLICATOR REFER TO ADDITIONAL PAGE(S). SPARE PARTS KIT (IF LISTED) WILL REMAIN AVAILABLE.

THE REPLACEMENT OCEAN STYLE APPLICATOR HAS THE SAME TERMINATOR/PRESS INTERFACE AS APPLICATOR

THIS DRAWING IS A CONTROLLED DOCUMENT.		DWN	 TE Connectivity		
DIMENSIONS:		CHK			
TOLERANCES UNLESS OTHERWISE SPECIFIED:		APVD	NAME		
 <ul style="list-style-type: none"> 0 PLC ± 1 PLC ± 2 PLC ± 3 PLC ± 4 PLC ± ANGLES ± 		PRODUCT SPEC	RESTRICTED TO		
		APPLICATION SPEC	SIZE	CAGE CODE	DRAWING NO
MATERIAL	FINISH	WEIGHT	A3	C-	
		SCALE	SHEET	OF	REV

PART NUMBER	REV	DESCRIPTION	PROGRAMMED MEMORY CHIP
2034042-1	B	CUTS CARRIER	8-2034042-1
2034042-6	B	CONTINUOUS CARRIER	8-2034042-6
7-2034042-1	B	-1 AND SPARE PARTS	9-2034042-1
7-2034042-6	B	-6 AND SPARE PARTS	9-2034042-6
7-2034042-7	B	SPARE PARTS KIT	-

APPLICATOR DATA		
CRIMP	SIZE	TYPE
WIRE	2.54mm [.100]	F
INSUL	4.19mm [.165]	O
APPL INSTRUCTIONS 408-10135		

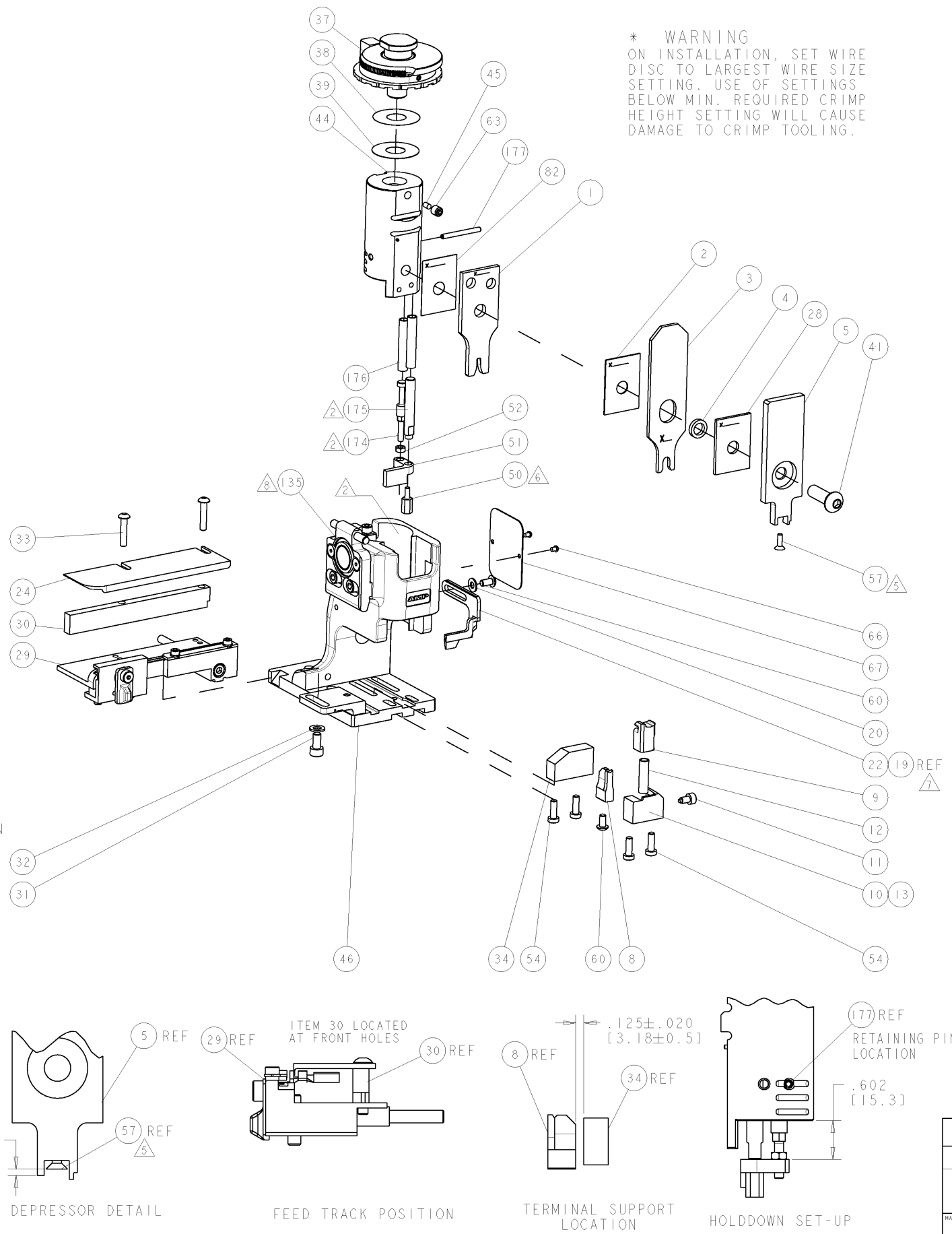
TERMINAL DATA: TE TERMINAL		TYCO ELECTRONICS CRIMP SPEC	
TERMINAL NAME: AMP MCP 2.8K FLAT TYPE RECEPTACLE			
WIRE STRIP LENGTH	INSULATION DIAMETER RANGE		
4.2-4.8 mm [.165-.188 IN]	3.40mm MAX [.133 IN MAX]		
TERMINAL APPL SPEC	114-18387 (A)	114-18050 (C)	-
	114-18051 (B)	-	-

TERMINALS APPLIED			
TE TERMINAL	TE TERMINAL	TE SEAL	TE SEAL
1241396-1 (A)	964273-1 (C)	963292-1	-
1241396-2 (A)	964273-2 (C)	963293-1	-
1241396-3 (A)	1-964273-1 (C)	963293-2	-
1-964302-3 (B)	2-964273-1 (C)	-	-
2-964302-1 (B)	3-964273-1 (C)	-	-
1241872-1 (C)	4-964273-1 (C)	-	-
4-1241872-1 (C)	6-964273-6 (C)	-	-

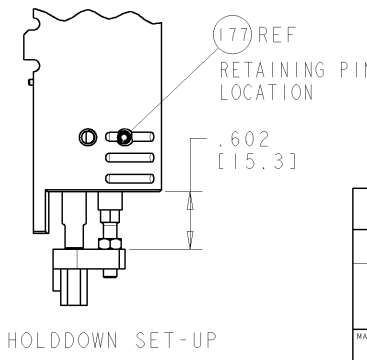
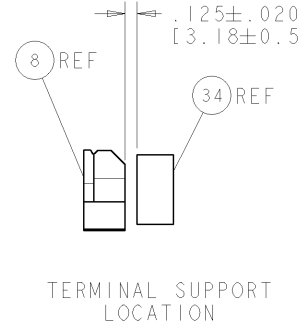
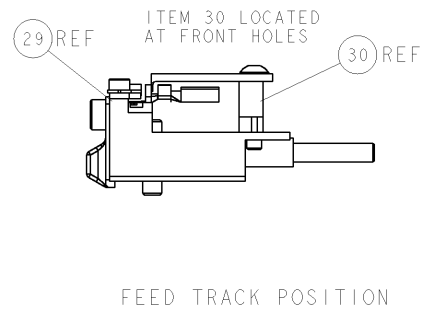
WIRE SIZE	CRIMP HEIGHT	REF SETTING*
	mm [INCH]	
2.5mm ²	1.86 ± .05 [.073 ± .002]	B4
2mm ²	1.70 ± .05 [.067 ± .002]	C3
1.5mm ²	1.55 ± .05 [.061 ± .002]	D5
1.25mm ²	1.47 ± .05 [.058 ± .002]	E3

FEED FINGER	SET UP GAGE	LOC	DIST	REVISIONS				
1901694-1	1901067-1	A	66	REV	DESCRIPTION	DATE	BY	APPV
				I	PRELIMINARY	20MAR2008	MEH	GB
				A	RELEASED	04APR2008	MEH	GB
				B	ECR 08-008780	07APR2008	MEH	GB

* WARNING
ON INSTALLATION, SET WIRE DISC TO LARGEST WIRE SIZE SETTING. USE OF SETTINGS BELOW MIN. REQUIRED CRIMP HEIGHT SETTING WILL CAUSE DAMAGE TO CRIMP TOOLING.



- △ RECOMMENDED SPARE PARTS.
- △ GREASE BEARING SURFACES LIGHTLY.
- 3. LUBRICATE DAILY PER THE APPLICATOR INSTRUCTION SHEET SUPPLIED WITH THE APPLICATOR.
- △ THIS APPLICATOR APPLIES TERMINAL WITH A SEAL. WIRE INSULATION DIA IS DEPENDENT ON SEAL BEING APPLIED. SEE APPL. SPEC. FOR DETAILS.
- △ APPLY TORQ-SEAL IN ALLEN SOCKET TO FILL HOLE AFTER FLAT HD HAS BEEN ADJUSTED TO CORRECT HEIGHT AT QUALIFICATION. APPLY P/N 1-23419-5 LOCTITE(R) TO THREADS.
- △ APPLY P/N 1-23419-5 LOCTITE(R) TO THREADS.
- △ ITEM 19 - OPTIONAL STRIPPER FOR BENCH MACHINE APPLICATION.
- △ APPLICATOR SPECIFIC DATA TO BE ENTERED INTO BLANK MEMORY CHIP AT ASSEMBLY.



-	1	1	1	1	1-993111-6	PIN, SLOTTED SPRING 3.0 X 30.0	177
-	2	2	2	2	3-22280-7	SPRING, COMPRESSION	176
-	1	1	1	1	1752353-1	GUIDE PIN, HOLDDOWN	175
-	1	1	1	1	1901680-1	GUIDE PIN, HOLDDOWN	174
-	REF	REF	REF	REF	SEE TABLE	MEMORY CHIP, PROGRAMMED	135
-	1	1	1	1	455888-1	SPACER, CRIMPER	82
-	1	1	1	1	1633565-1	DOCUMENTATION PACKAGE	71
-	1	1	1	1	1976552-1	TAG, IDENTIFICATION	67
-	2	2	2	2	21017-1	SCREW, DRIVE	66
-	1	1	1	1	3-18031-0	SCR, SET, CUP POINT M6 X 6.0	63
-	2	2	2	2	1655785-1	SCR, BTN SKT HD CAP (M4 X 8)	60
-	1	1	1	1	985575-3	SCR, FLT SKT HD CAP M3 X 10.0	57
-	4	4	4	4	1655783-3	SCR, CAP, SOC HD, LOW HEAD, M4 X 12	54
-	1	1	1	1	1-18030-0	NUT, HEX, REG M3.5	52
-	1	1	1	1	1901681-1	HOLDDOWN, TERMINAL	51
-	1	1	1	1	2-1752354-3	STANDOFF, HOLD-DOWN	50
-	1	1	1	1	1752300-1	SF SYSTEM III APPLICATOR	46
-	1	1	1	1	690191-1	PLUG, NYLON	45
-	1	1	1	1	1901069-1	RAM ASSEMBLY, SYSTEM III RETROFIT	44
-	1	1	1	1	2-1655785-3	SCR, BTN SKT HD CAP (M4 X 25)	41
-	1	1	1	1	690125-1	SHIM SUB-ASSY	39
-	1	1	1	1	469367-3	SHIM	38
-	1	1	1	1	879103-2	FINE ADJUST HEAD ASSEMBLY	37
-	1	1	1	1	1-1752356-7	SUPPORT, TERMINAL	34
-	2	2	2	2	3-1655785-3	SCR, BTN SKT HD CAP (M4 X 20)	33
-	1	1	1	1	18028-3	WASHER, FLAT, REG M5	32
-	1	1	1	1	5-1655316-3	SCR, SKT HD CAP, M5 X 10.0	31
-	1	1	1	1	1320908-2	SPACER, STRIP GUIDE	30
-	1	1	1	1	1901087-4	ASSEMBLY, STRIP GUIDE	29
-	1	1	1	1	1-455888-7	SPACER, CRIMPER	28
-	1	1	1	1	1320928-1	PLATE, STRIP GUIDE	24
-	1	1	1	1	1976045-1	STRIPPER	22
-	1	1	1	1	18028-2	WASHER, FLAT, REG M4	20
-	REF	REF	REF	REF	1752311-1	STRIPPER	19
△	1	-	1	-	1338684-2	SHEAR HOLDER, FRONT	13
-	1	1	1	1	3-22280-3	SPRING, COMPRESSION	12
-	1	1	1	1	356885-5	STOP, SHEAR	11
△	-	-	1	-	1-1320921-0	SHEAR HOLDER, FRONT, CUT	10
△	1	1	1	1	318707-1	FLOATING SHEAR, FRONT	9
△	1	2	2	1	1333206-2	ANVIL, COMBINATION	8
-	1	1	1	1	1338680-1	DEPRESSOR, SHEAR	5
-	1	1	1	1	238011-4	BLOCK, CRIMPER SPACER	4
△	1	2	2	1	2-562244-2	CRIMPER, INSULATION	3
-	1	1	1	1	455888-6	SPACER, CRIMPER	2
△	1	2	2	1	456407-5	CRIMPER, WIRE PREMIUM	1

DIMENSIONS:		TOLERANCES UNLESS OTHERWISE SPECIFIED:		Tyco Electronics	
INCHES [mm]		0 PLC	±	OWN	ZOMAR2008
		1 PLC	±	CHK	G. BAILEY
		2 PLC	±	APPV	N. DEMING
		3 PLC	±	PRODUCT SPEC	
		4 PLC	±	APPLICATION SPEC	
		5 PLC	±	SEE TABLE	
MATERIAL		FINISH		WEIGHT	
CUSTOMER DRAWING				SCALE	3:5
SHEET				1	OF
REV				B	

Mouser Electronics

Authorized Distributor

Click to View Pricing, Inventory, Delivery & Lifecycle Information:

[TE Connectivity:](#)

[2034042-6](#)