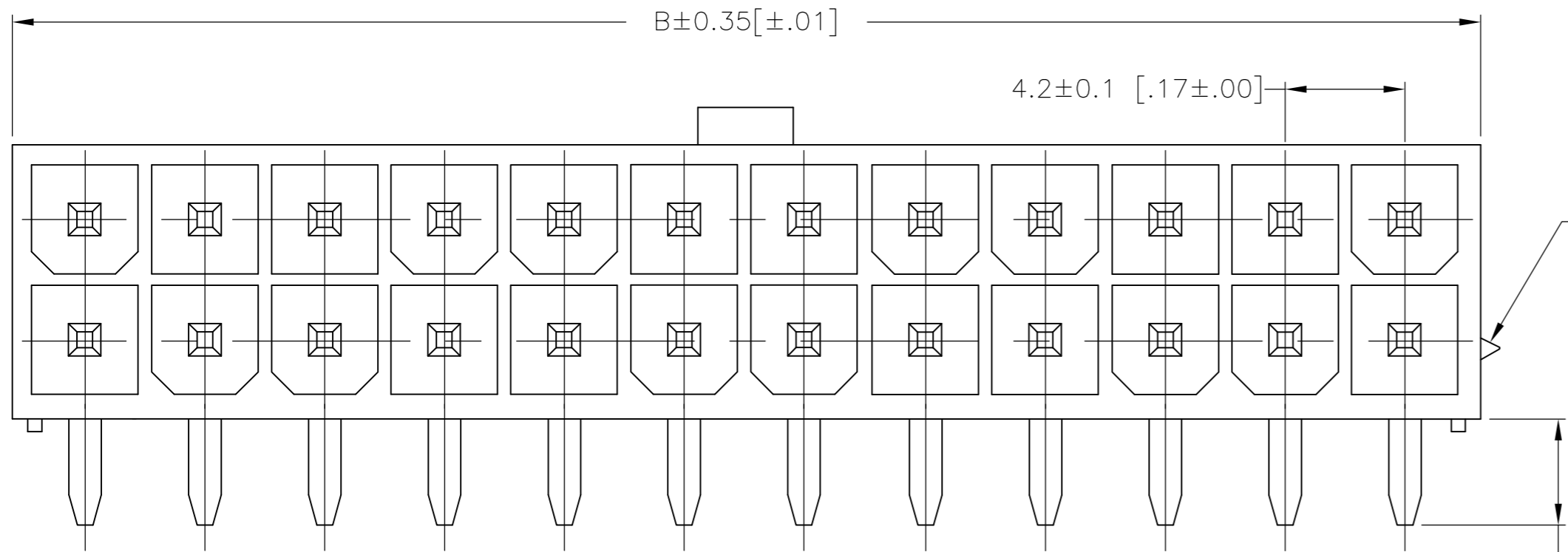
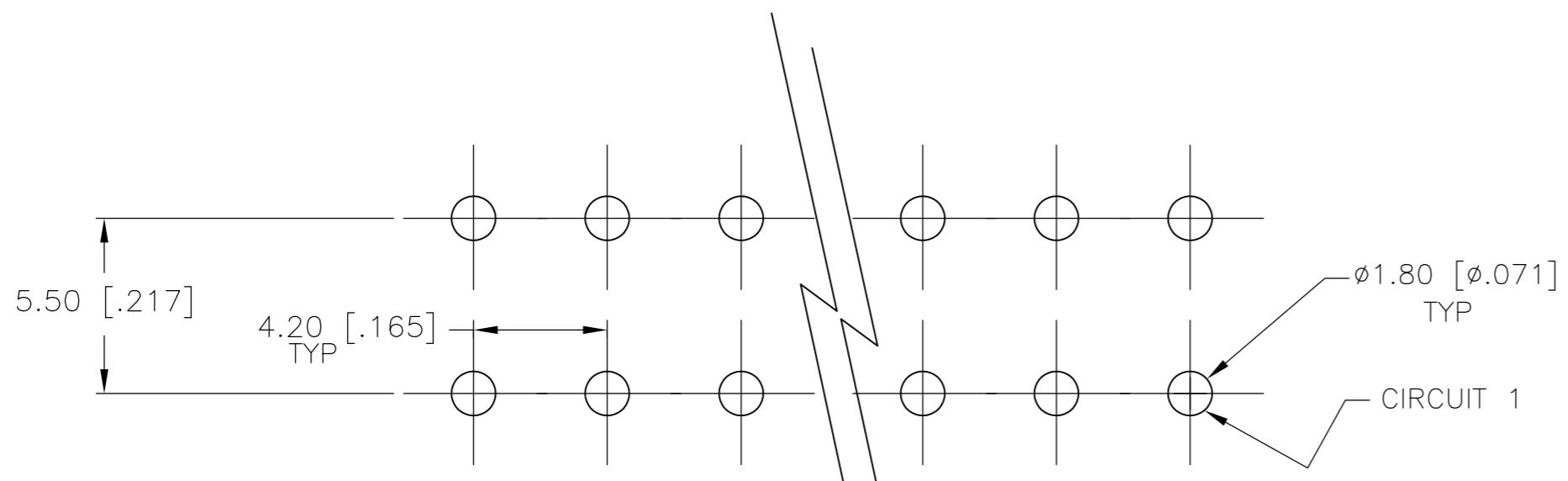
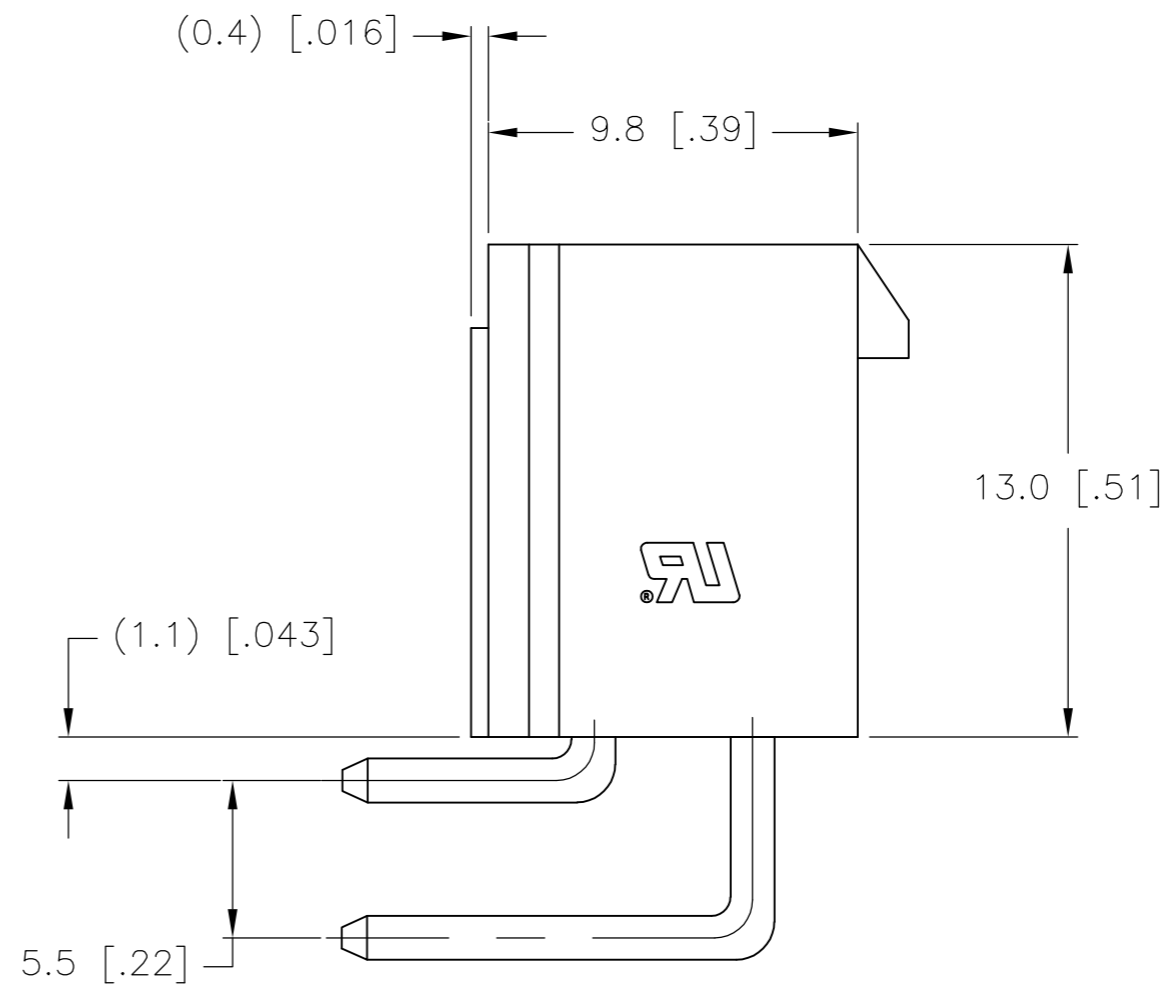
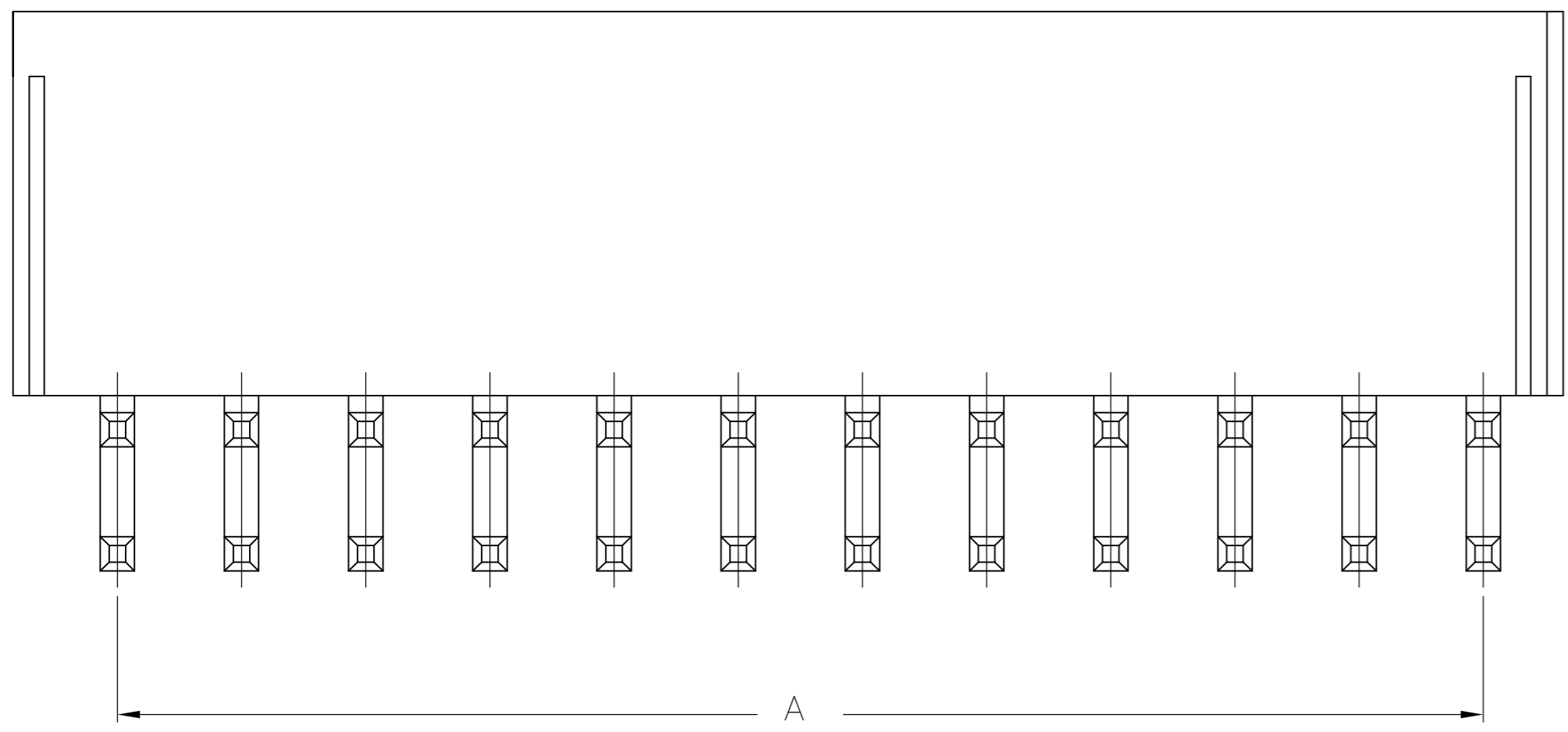


THIS DRAWING IS UNPUBLISHED. RELEASED FOR PUBLICATION
 © COPYRIGHT BY TYCO ELECTRONICS CORPORATION. ALL RIGHTS RESERVED.

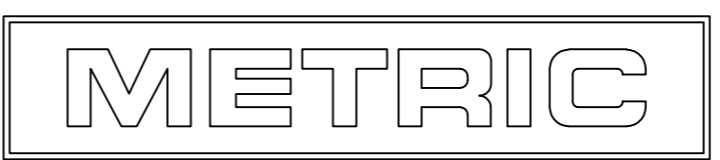
| LOC | DIST | REVISIONS | | | |
|-----|------|-------------|-----------|-----|------|
| P | LTR | DESCRIPTION | DATE | DWN | APVD |
| CM | 00 | | | | |
| | A | WR-08-39 | 14AUG2008 | KW | CC |



1 MATERIAL: HOUSING: NYLON, UL94V-0, RED
 CONTACTS: BRASS, TIN-PLATED



PCB LAYOUT: COMPONENT SIDE
 RECOMMENDED BOARD THICKNESS 1.60 [.063]



| | | | |
|-----|---------------------|--------------|-------------|
| 24 | 46.2±0.2 [1.82±.01] | 51.6 [2.03] | 2-2029162-4 |
| 22 | 42.0±0.2 [1.65±.01] | 47.4 [1.87] | 2-2029162-2 |
| 20 | 37.8±0.2 [1.49±.01] | 43.2 [1.70] | 2-2029162-0 |
| 18 | 33.6±0.2 [1.32±.01] | 39.0 [1.54] | 1-2029162-8 |
| 16 | 29.4±0.2 [1.16±.01] | 34.8 [1.37] | 1-2029162-6 |
| 14 | 25.2±0.2 [.99±.01] | 30.6 [1.21] | 1-2029162-4 |
| 12 | 21.0±0.2 [.83±.01] | 26.4 [1.04] | 1-2029162-2 |
| 10 | 16.8±0.1 [.66±.00] | 22.2 [.87] | 1-2029162-0 |
| 8 | 12.6±0.1 [.50±.00] | 18.0 [.71] | 2029162-8 |
| 6 | 8.4±0.1 [.33±.00] | 13.8 [.54] | 2029162-6 |
| 4 | 4.2±0.1 [.17±.00] | 9.6 [.38] | 2029162-4 |
| 2 | - | 5.4 [.21] | 2029162-2 |
| POS | A | B±0.35[±.01] | PART NUMBER |

2-2029162-4 SHOWN

THIS DRAWING IS A CONTROLLED DOCUMENT.

| | | | | |
|----------------------------|--|---------------------------------|------------|--|
| DIMENSIONS: mm [INCHES] | TOLERANCES UNLESS OTHERWISE SPECIFIED: 0 PLC ± 1 PLC ± 2 PLC ± 0.5 [.02] 3 PLC ± 0.25 [.010] 4 PLC ± 0.150 [0059] ANGLES ± | DWN K. WHITAKER 14AUG2008 | 14AUG2008 | Tyco Electronics Corporation Harrisburg, PA 17105-3608 |
| MATERIAL | FINISH | CHK C. CASH 14AUG2008 | 14AUG2008 | |
| | | APVD C. CASH 14AUG2008 | NAME | RIGHT ANGLE HEADER, RED, WITHOUT PEGS, VAL-U-LOK(TM) |
| | | APPLICATION SPEC | SIZE | A2 |
| | | WEIGHT | CAGE CODE | 00779 |
| | | CUSTOMER DRAWING | DRAWING NO | C=2029162 |
| | | SCALE | 10:1 | SHEET 1 of 1 |
| | | REV | A | |

Mouser Electronics

Authorized Distributor

Click to View Pricing, Inventory, Delivery & Lifecycle Information:

[TE Connectivity:](#)

[1-2029162-6](#)