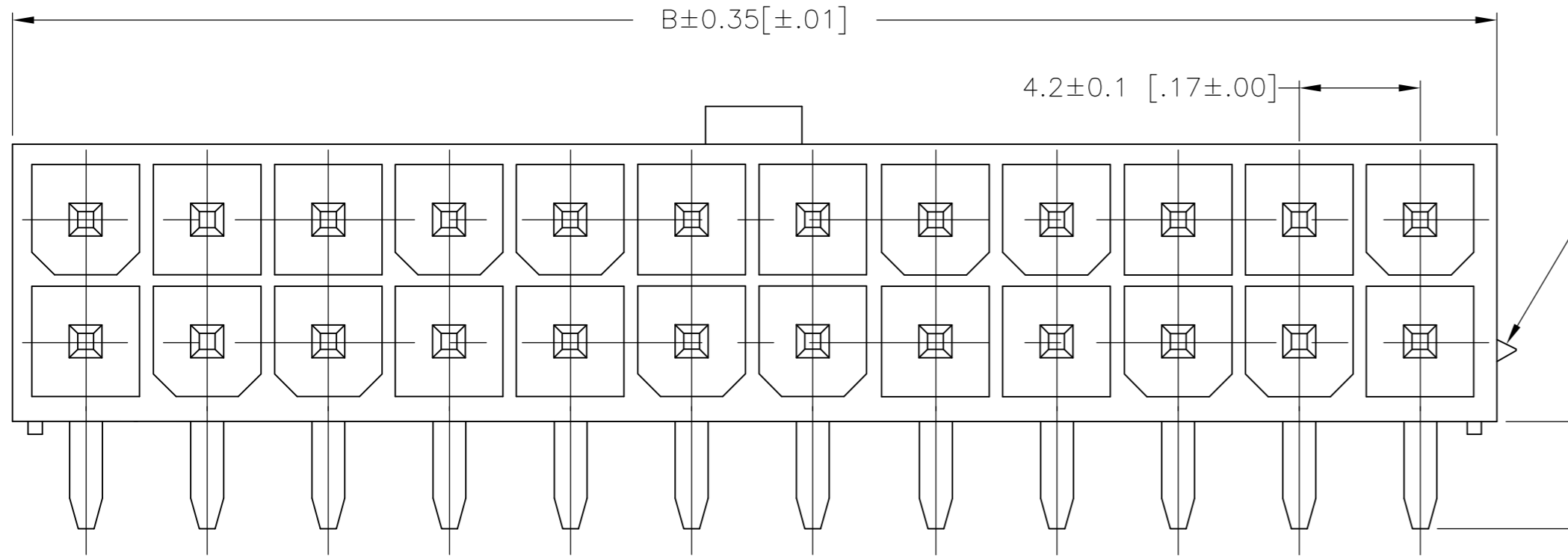
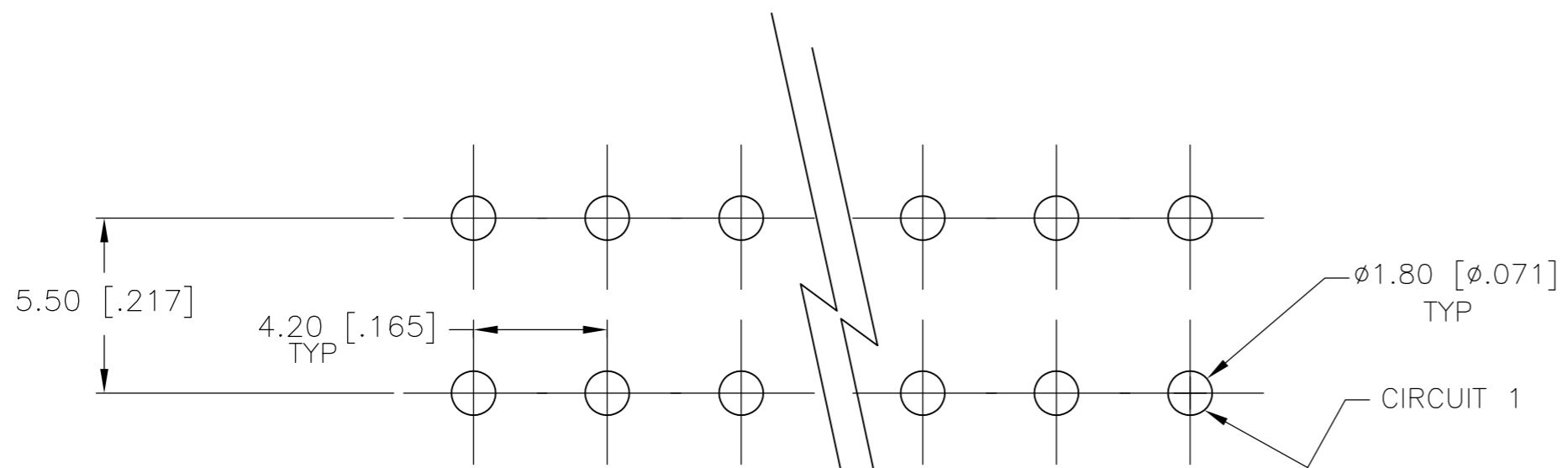
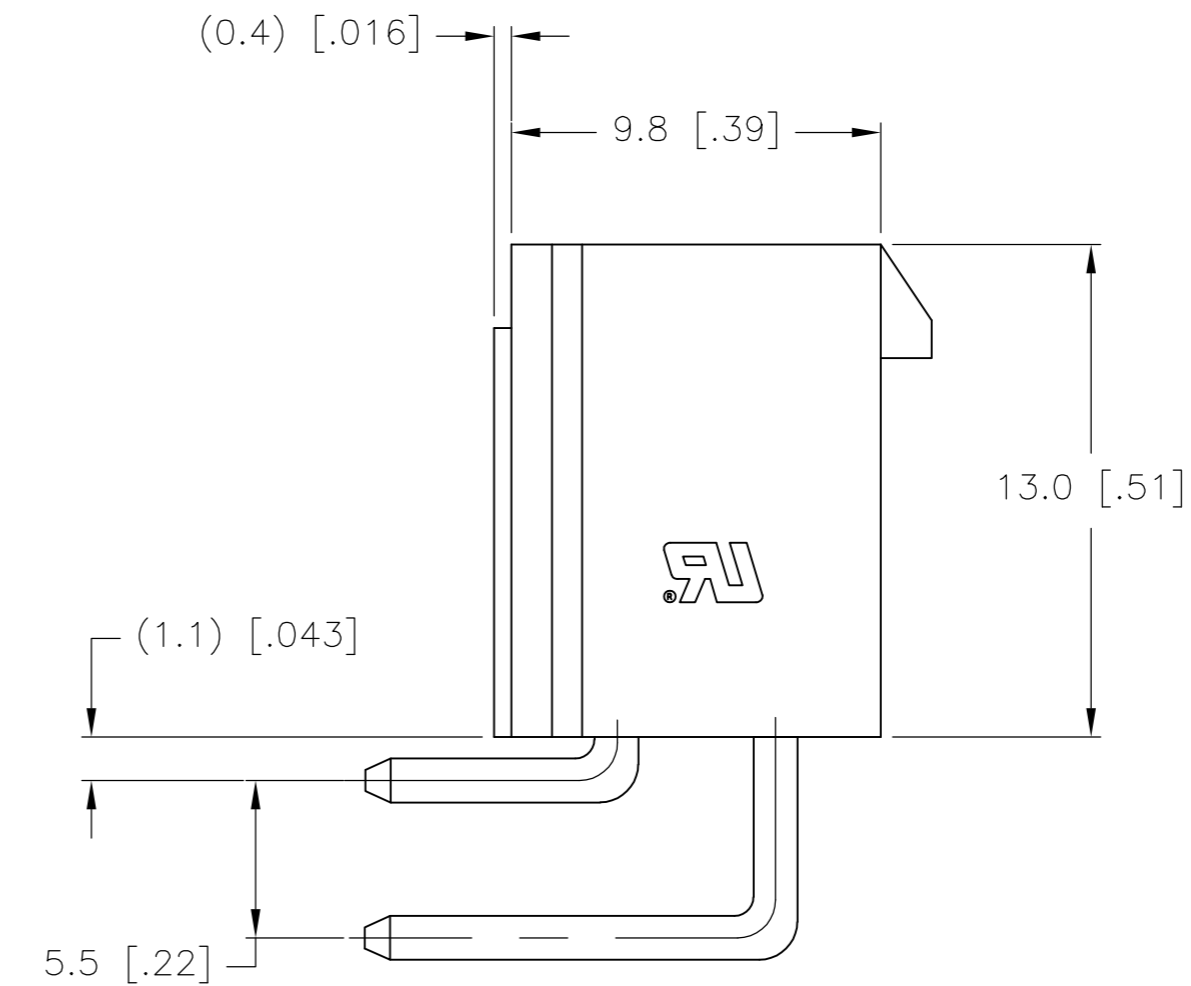
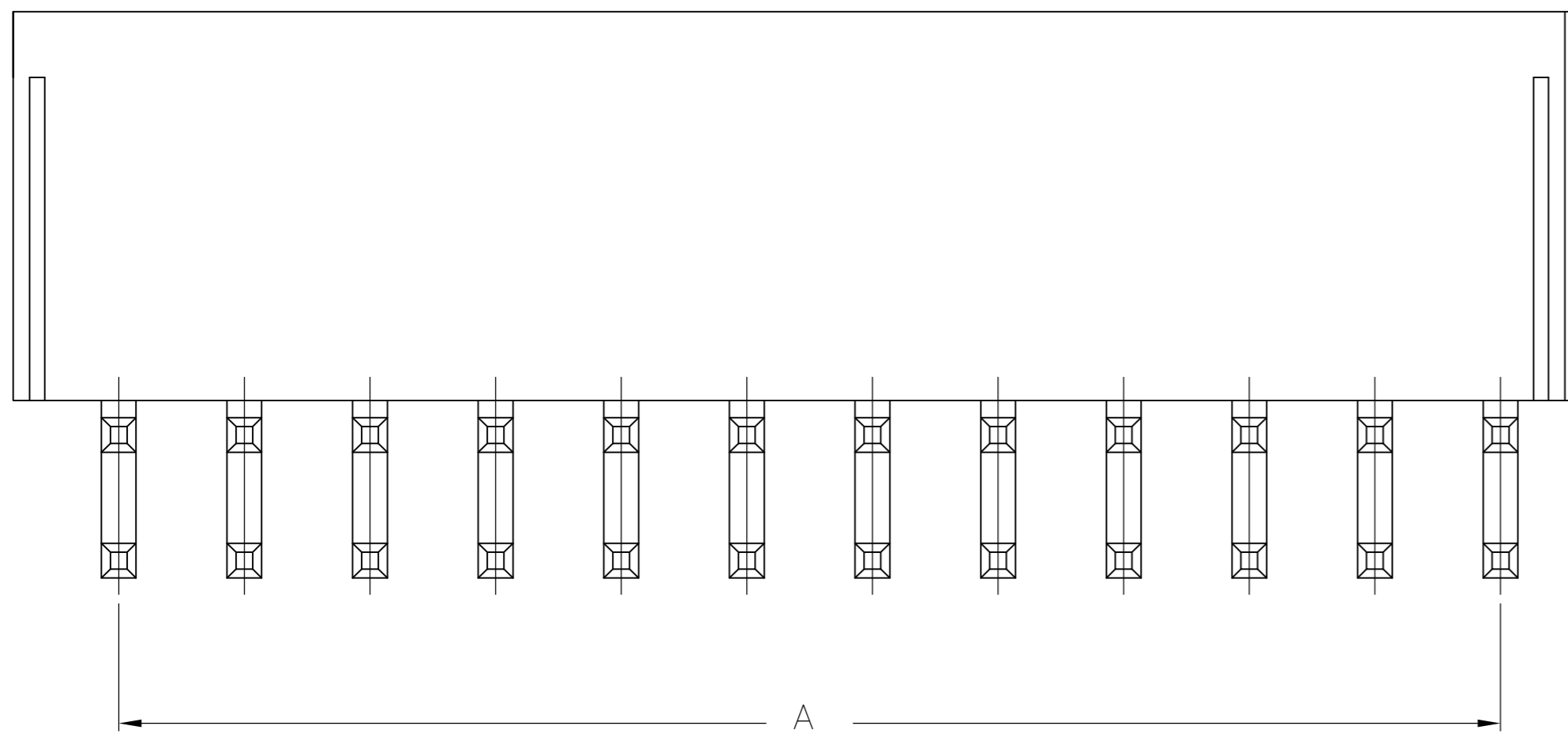


THIS DRAWING IS UNPUBLISHED. RELEASED FOR PUBLICATION
 © COPYRIGHT BY TYCO ELECTRONICS CORPORATION. ALL RIGHTS RESERVED.

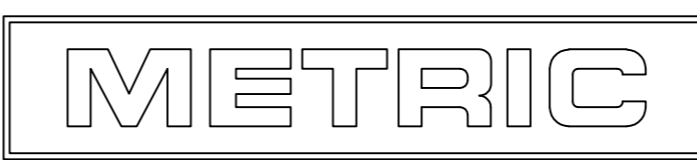
| LOC | | DIST | | REVISIONS | | | |
|-----|-----|-------------|--|-----------|-----|------|--|
| P | LTR | DESCRIPTION | | DATE | DWN | APVD | |
| | A | WR-08-39 | | 14AUG2008 | KW | CC | |



1 MATERIAL: HOUSING: NYLON, UL94V-0, RED
 CONTACTS: BRASS, TIN-PLATED



PCB LAYOUT: COMPONENT SIDE
 RECOMMENDED BOARD THICKNESS 1.60 [.063]



| | | | |
|-----|---------------------|--------------|-------------|
| 24 | 46.2±0.2 [1.82±.01] | 51.6 [2.03] | 2-2029162-4 |
| 22 | 42.0±0.2 [1.65±.01] | 47.4 [1.87] | 2-2029162-2 |
| 20 | 37.8±0.2 [1.49±.01] | 43.2 [1.70] | 2-2029162-0 |
| 18 | 33.6±0.2 [1.32±.01] | 39.0 [1.54] | 1-2029162-8 |
| 16 | 29.4±0.2 [1.16±.01] | 34.8 [1.37] | 1-2029162-6 |
| 14 | 25.2±0.2 [.99±.01] | 30.6 [1.21] | 1-2029162-4 |
| 12 | 21.0±0.2 [.83±.01] | 26.4 [1.04] | 1-2029162-2 |
| 10 | 16.8±0.1 [.66±.00] | 22.2 [.87] | 1-2029162-0 |
| 8 | 12.6±0.1 [.50±.00] | 18.0 [.71] | 2029162-8 |
| 6 | 8.4±0.1 [.33±.00] | 13.8 [.54] | 2029162-6 |
| 4 | 4.2±0.1 [.17±.00] | 9.6 [.38] | 2029162-4 |
| 2 | - | 5.4 [.21] | 2029162-2 |
| POS | A | B±0.35[±.01] | PART NUMBER |

2-2029162-4 SHOWN

THIS DRAWING IS A CONTROLLED DOCUMENT.

| | | | |
|-------------------------|--|---------------------------|---|
| DIMENSIONS: mm [INCHES] | TOLERANCES UNLESS OTHERWISE SPECIFIED: | DWN K. WHITAKER 14AUG2008 | Tyco Electronics Corporation Harrisburg, PA 17105-3608 |
| 0 PLC ± | 1 PLC ± | CHK C. CASH 14AUG2008 | |
| 2 PLC ± 0.5 [.02] | 3 PLC ± 0.25 [.010] | APVD C. CASH 14AUG2008 | NAME |
| 4 PLC ± 0.150 [0059] | ANGLES ± | PRODUCT SPEC | RIGHT ANGLE HEADER, RED, WITHOUT PEGS, VAL-U-LOK(TM) |
| MATERIAL | FINISH | APPLICATION SPEC | SIZE CAGE CODE DRAWING NO RESTRICTED TO |
| 1 | | WEIGHT | A2 00779 C=2029162 - |
| CUSTOMER DRAWING | | SCALE 10:1 | SHEET 1 of 1 REV A |

Mouser Electronics

Authorized Distributor

Click to View Pricing, Inventory, Delivery & Lifecycle Information:

[TE Connectivity:](#)

[2029162-4](#)