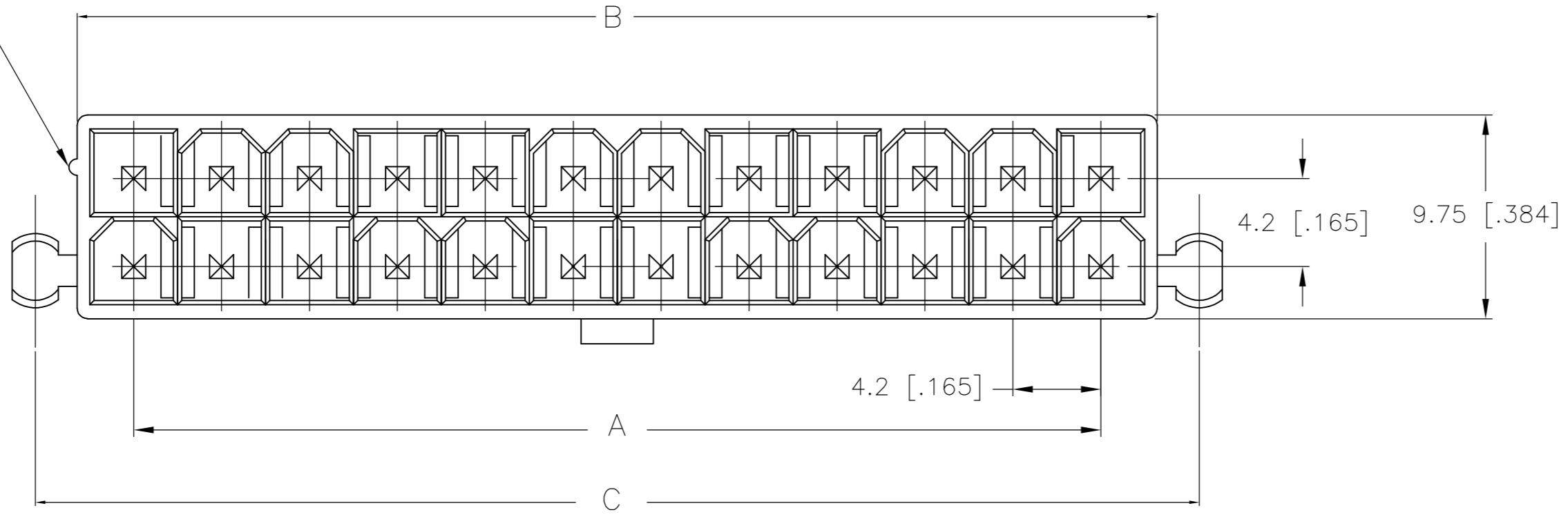


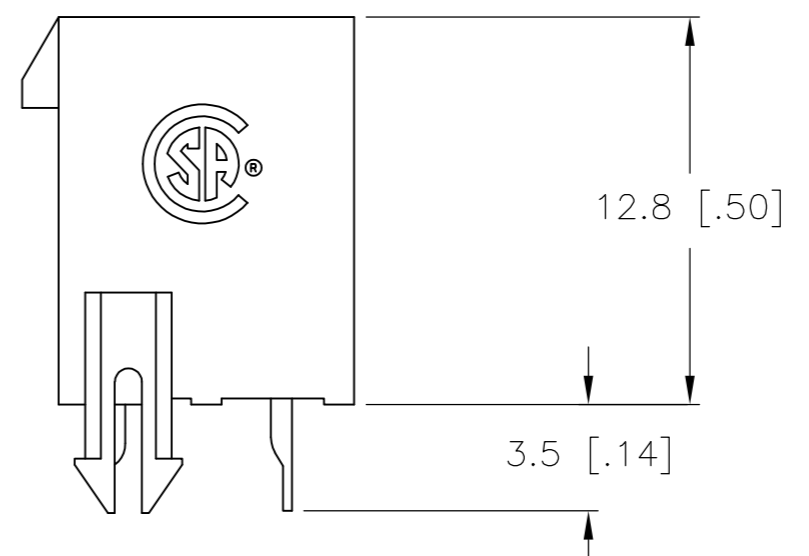
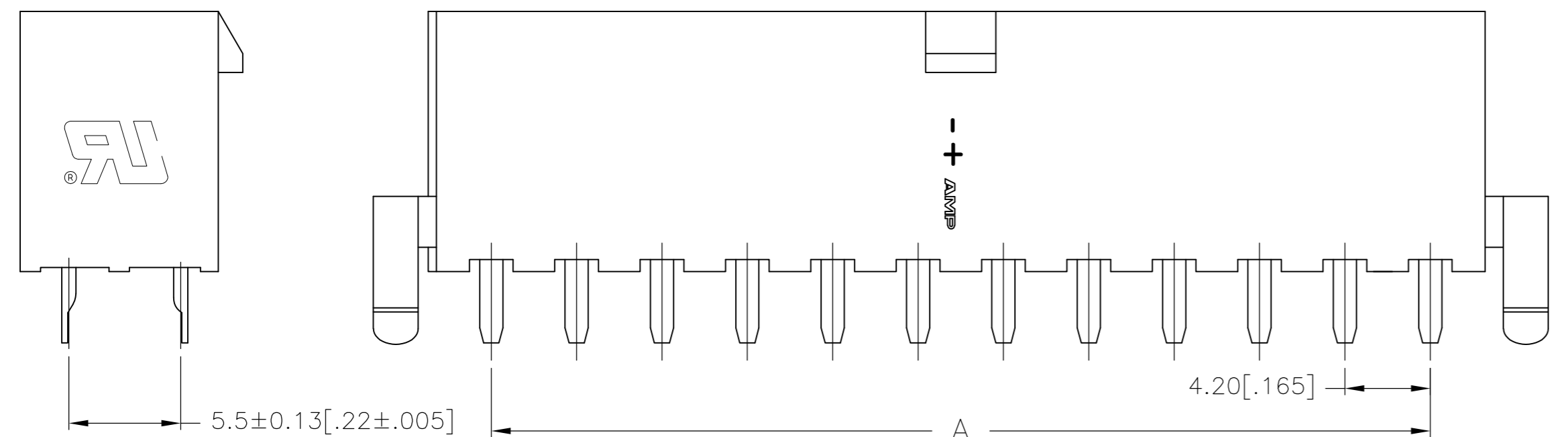
THIS DRAWING IS UNPUBLISHED. RELEASED FOR PUBLICATION
 © COPYRIGHT BY TYCO ELECTRONICS CORPORATION. ALL RIGHTS RESERVED.

| LOC | | DIST | | REVISIONS | | | |
|-----|-----|-------------|----------|-----------|------|----|--|
| P | LTR | DESCRIPTION | DATE | DWN | APVD | | |
| CM | 00 | A | WR-08-38 | 13AUG2008 | KW | CC | |

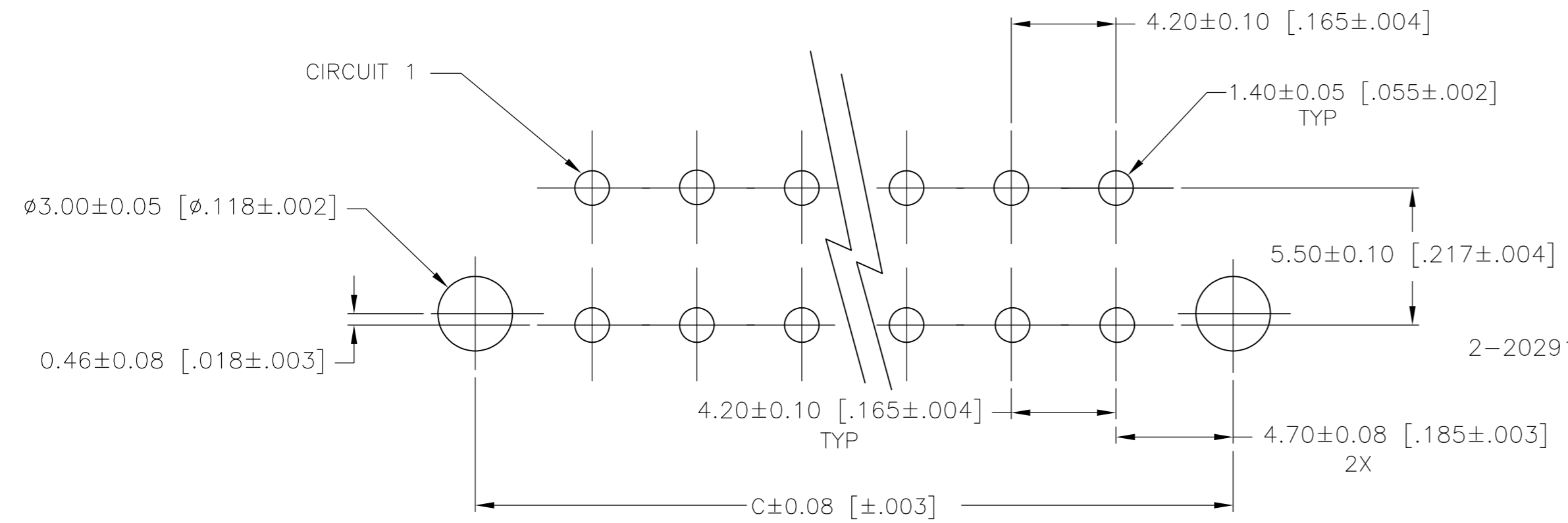
POSITION 1
IDENTIFICATION
FEATURE



1 MATERIAL: HOUSING: NYLON, UL94V-0, BLUE
CONTACTS: BRASS, TIN-PLATED



| | | | | |
|-----|----------------------|-------------|--------------|-------------|
| 24 | 46.2±0.25 [1.82±.01] | 51.6 [2.03] | 55.6 [2.19] | 2-2029142-4 |
| 22 | 42.0±0.25 [1.65±.01] | 47.4 [1.87] | 51.4 [2.02] | 2-2029142-2 |
| 20 | 37.8±0.25 [1.49±.01] | 43.2 [1.70] | 47.2 [1.86] | 2-2029142-0 |
| 18 | 33.6±0.25 [1.32±.01] | 39.0 [1.54] | 43.0 [1.69] | 1-2029142-8 |
| 16 | 29.4±0.25 [1.16±.01] | 34.8 [1.37] | 38.8 [1.53] | 1-2029142-6 |
| 14 | 25.2±0.25 [.99±.01] | 30.6 [1.21] | 34.6 [1.36] | 1-2029142-4 |
| 12 | 21.0±0.25 [.83±.01] | 26.4 [1.04] | 30.4 [1.20] | 1-2029142-2 |
| 10 | 16.8±0.13 [.66±.005] | 22.2 [.87] | 26.2 [1.03] | 1-2029142-0 |
| 8 | 12.6±0.13 [.50±.005] | 18.0 [.71] | 22.0 [.87] | 2029142-8 |
| 6 | 8.4±0.13 [.33±.005] | 13.8 [.54] | 17.8 [.70] | 2029142-6 |
| 4 | 4.2±0.13 [.17±.005] | 9.6 [.38] | 13.6 [.54] | 2029142-4 |
| 2 | - | 5.4 [.21] | 9.4 [.37] | 2029142-2 |
| POS | A | B±0.25[.01] | C±0.38[.015] | PART NUMBER |



PCB LAYOUT: COMPONENT SIDE
RECOMMENDED BOARD THICKNESS 1.78 [0.070]



THIS DRAWING IS A CONTROLLED DOCUMENT.

| | | | | | |
|----------------------------|---|---------------------------------|-----------------------------|------------------------------|---|
| DIMENSIONS: mm [INCHES] | TOLERANCES UNLESS OTHERWISE SPECIFIED: 0 PLC ± 1 PLC ± 0.13 [.005] 2 PLC ± 0.25 [.010] 3 PLC ± - 4 PLC ± - ANGLES ± FINISH ± | DWN K. WHITAKER 13AUG2008 | CHK C. CASH 13AUG2008 | APVD C. CASH 13AUG2008 | NAME Tyco Electronics Corporation Harrisburg, PA 17105-3608 |
| MATERIAL 1 | APPLICATION SPEC | PRODUCT SPEC | WEIGHT | SCALE 10:1 | RESTRICTED TO |

SIZE: A2 CAGE CODE: 00779 DRAWING NO: C=2029142 SHEET: 1 OF 1 REV: A

CUSTOMER DRAWING

Mouser Electronics

Authorized Distributor

Click to View Pricing, Inventory, Delivery & Lifecycle Information:

[TE Connectivity:](#)

[2-2029142-0](#)