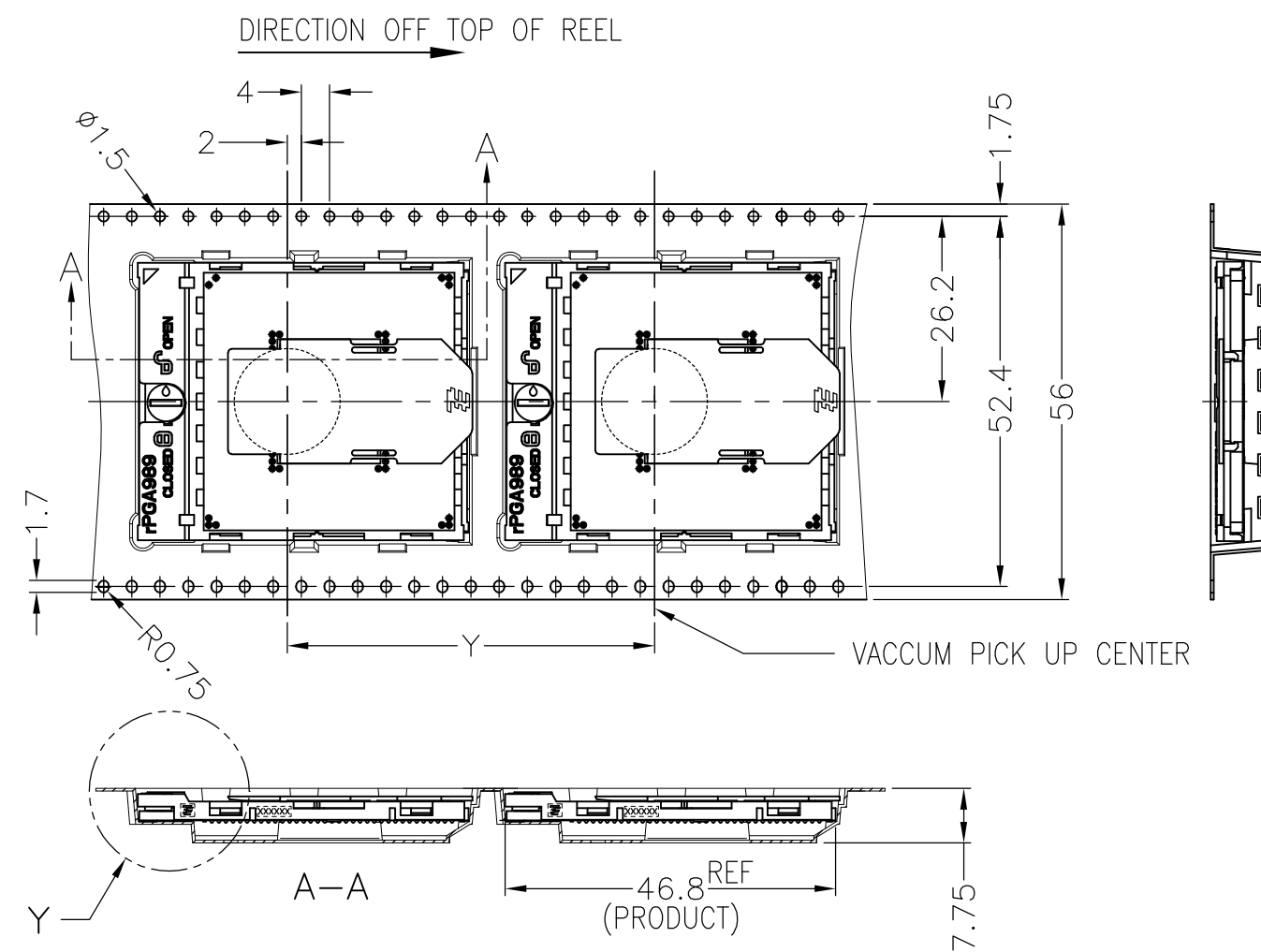
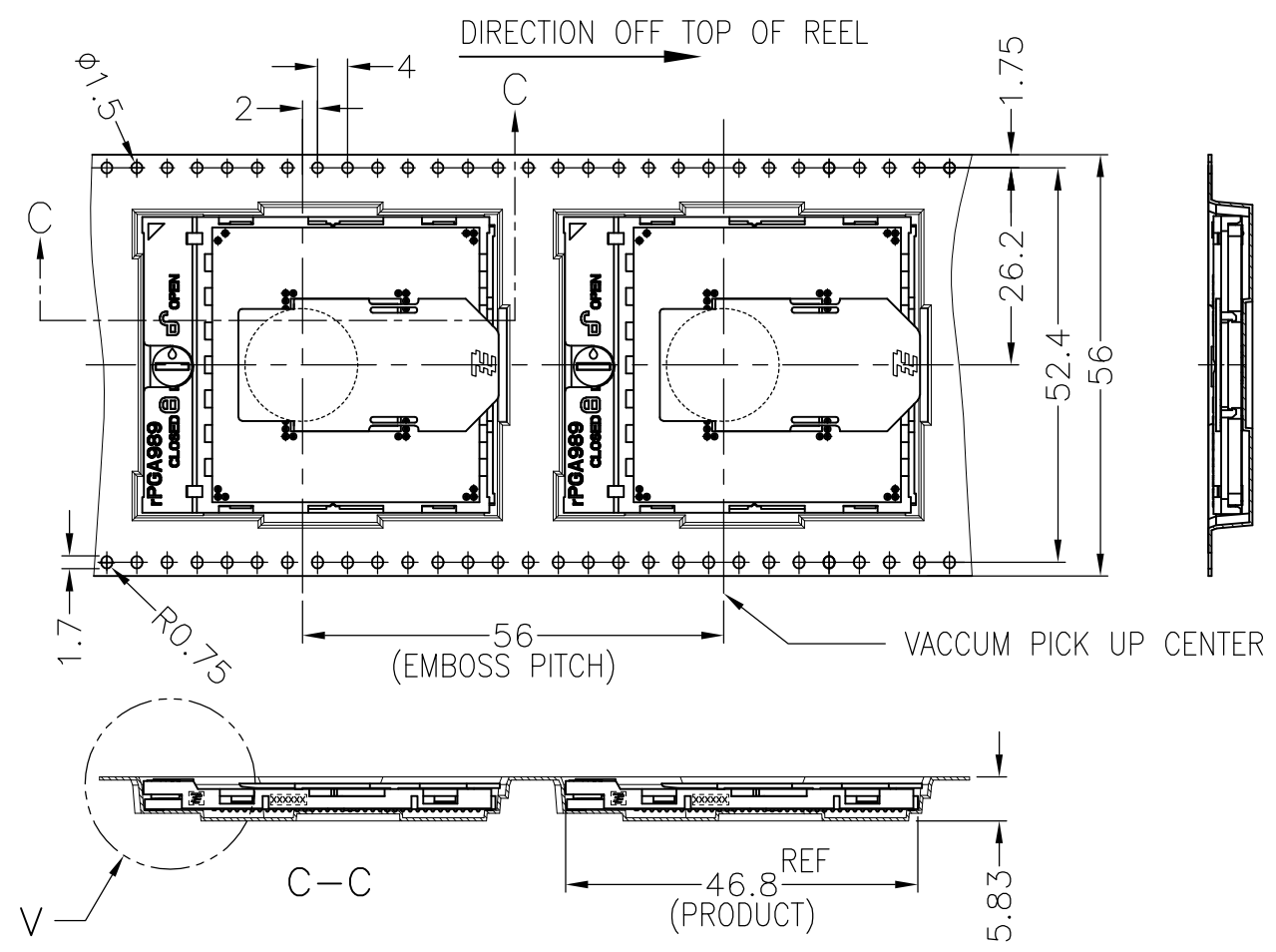
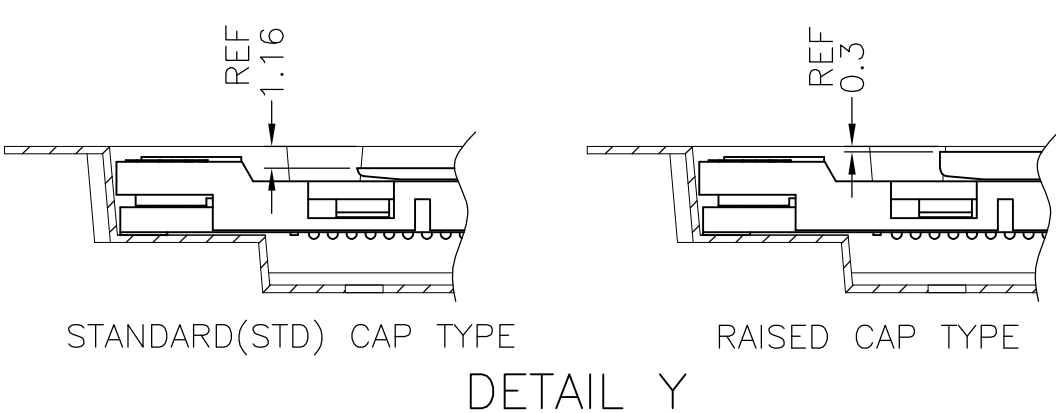


THIS DRAWING IS UNPUBLISHED. RELEASED FOR PUBLICATION
 © COPYRIGHT - By Tyco Electronics Japan G.K. ALL RIGHTS RESERVED.

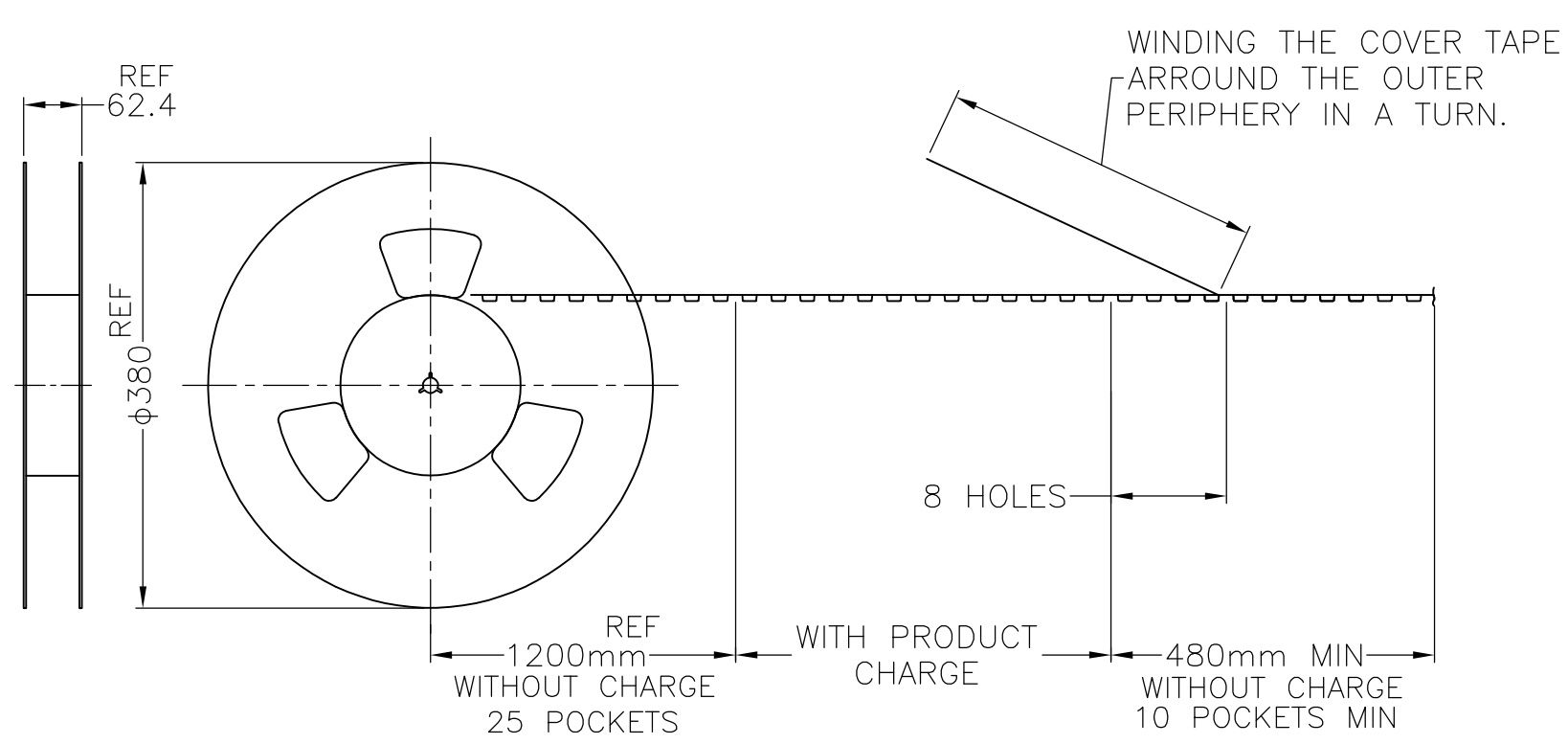
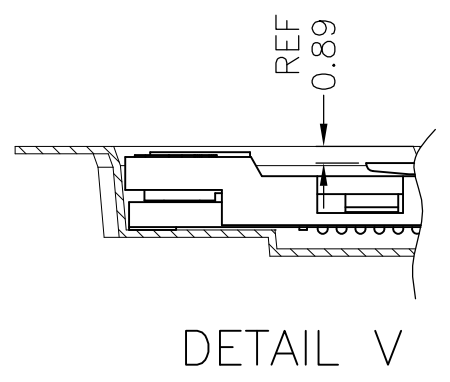
LOC		DIST		REVISONS			DATE	DWN	APVD
P	LTR	DESCRIPTION							
-	-	SEE SHEET 1			-	-	-	-	-



FOR EMBOSS PACKING
 120PCS/REEL AND 160PCS/REEL
 (REFERENCE)



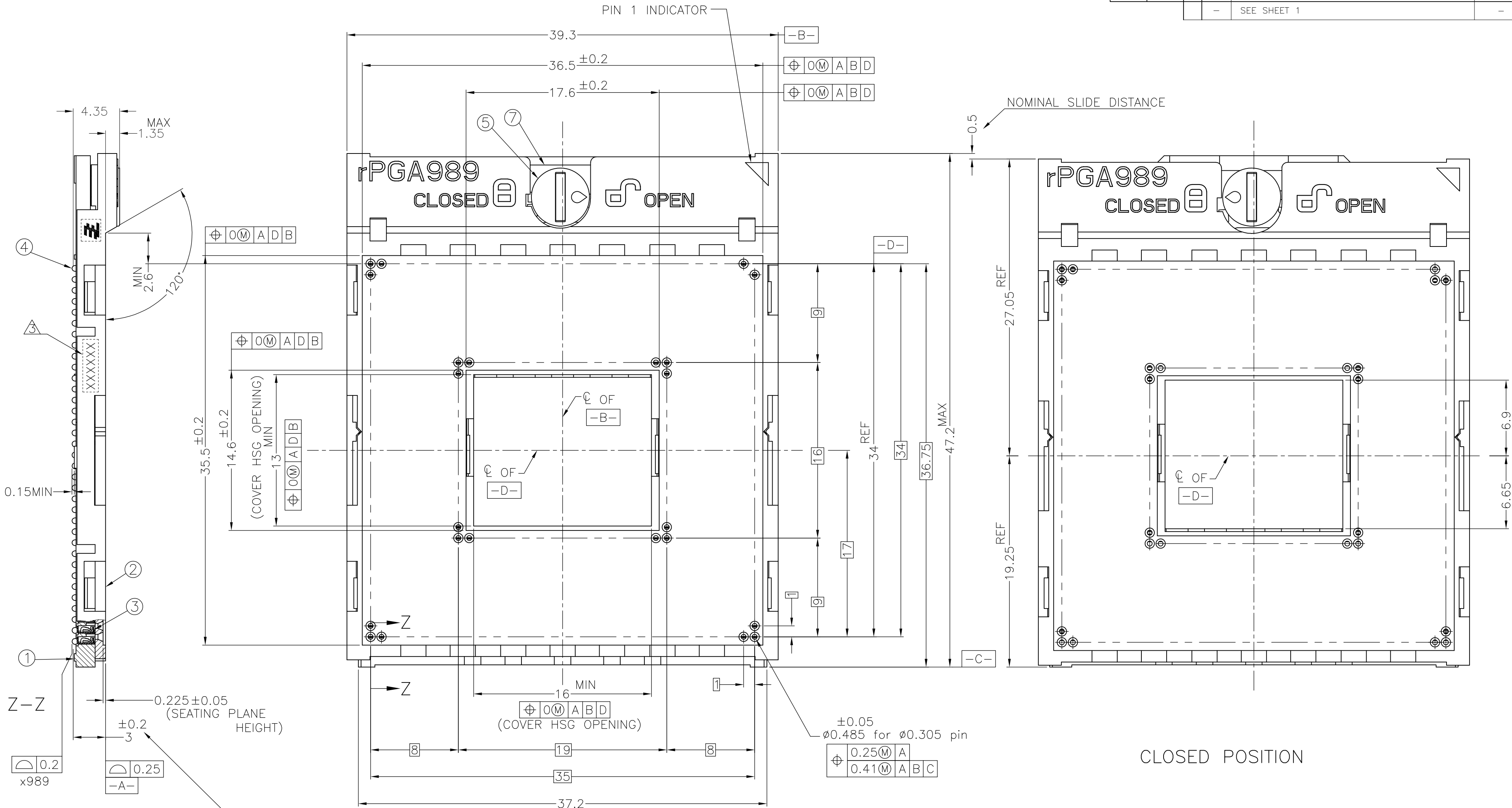
FOR EMBOSS PACKING
 180PCS/REEL
 (REFERENCE)



FOR TAPE & REEL PACKING

THIS DRAWING IS A CONTROLLED DOCUMENT.		DWN	TE Connectivity	
DIMENSIONS: 単位: 種 mm		CHK	SOCKET ASSY	
TOLERANCES UNLESS OTHERWISE SPECIFIED: 一般公差		APVD	rPGA989 & rPGA988X	
0-PLC	±0.3	PRODUCT SPEC	SIZE	CAGE CODE
1-PLC	±0.3	製品規格	A2	00779
2-PLC	±0.3	APPLICATION SPEC	DRAWING NO	RESTRICTED TO
3-PLC	±0.3	取付適用規格	番号	
4-PLC	±0.3		C=2013620	
ANGLES	±1°	WEIGHT		
FINISH	仕上	CUSTOMER DRAWING	SCALE	SHEET
			NTS	2 of 7
			REV	E4

LOC		DIST		REVISIONS			DATE	DWN	APVD
P	LTR	DESCRIPTION							
-	-	SEE SHEET 1			-	-	-	-	-



OPEN POSITION

rPGA989 AS SHOWN
CAP IS REMOVED

CLOSED POSITION

1. MATERIAL

- ① BASE HOUSING : HIGH TEMP, THERMOPLASTIC, UL94V-0
 - ② COVER HOUSING : HIGH TEMP, THERMOPLASTIC, UL94V-0
 - ③ CONTACT : COPPER ALLOY
FINISH : 0.00038 MIN Au PL. AT CONTACT AREA ON ALL OVER Ni UNDER PL. 0.00127 MIN.
 - ④ SOLDER BALL : Sn/Ag/Cu
 - ⑤ CAM : STAINLESS STEEL
 - ⑥ BASE PLATE : STAINLESS STEEL
 - ⑦ SLIDE PLATE : STAINLESS STEEL
 - ⑧ WASHER : STAINLESS STEEL
FINISH : W/O PL. FOR 2013620-1
W/O PL. OR BLACK Ni PL. FOR OTHERS
 - ⑨ PnP CAP : HIGH TEMP, THERMOPLASTIC, UL94V-0, BLACK
- △ CAM OPERATION ANGLE : 180DEG
 △ INDICTED DATE CODE ON THE HSG

4. LOW HALOGEN SPEC:
- CHLORINE (Cl): 900 ppm MAX.
 - BROMINE (Br): 900 ppm MAX.
 - CHLORINE (Cl) + BROMINE (Br): 1500 ppm MAX.

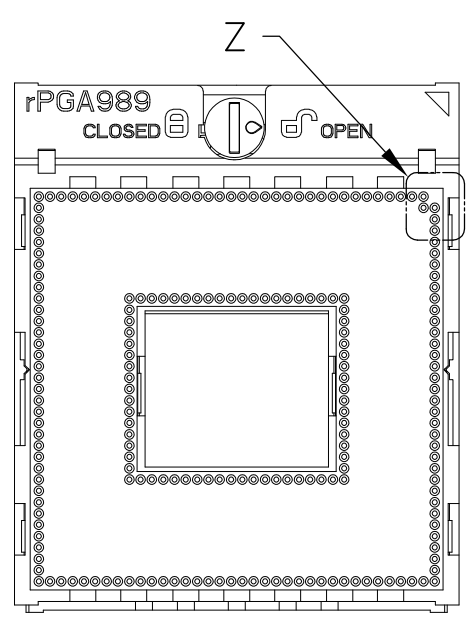
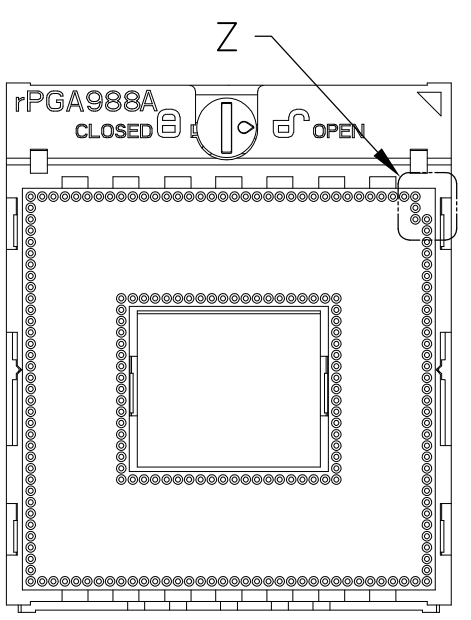
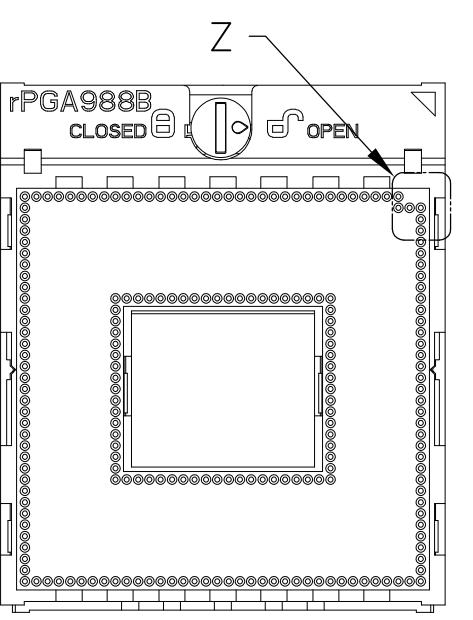
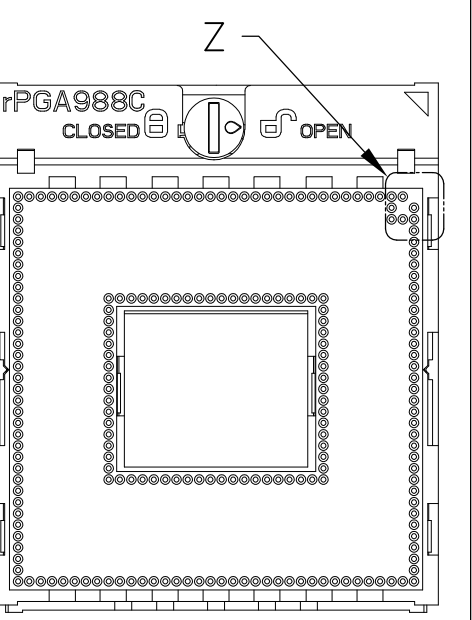
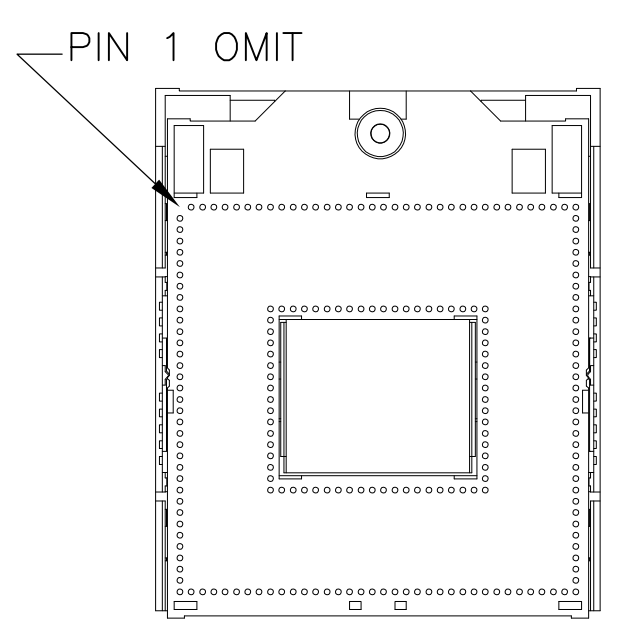
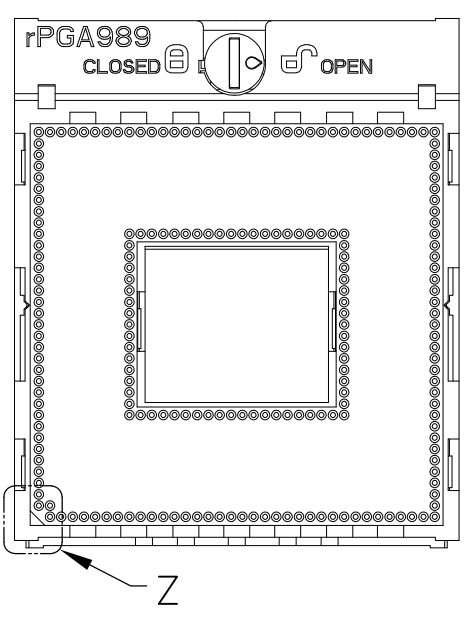
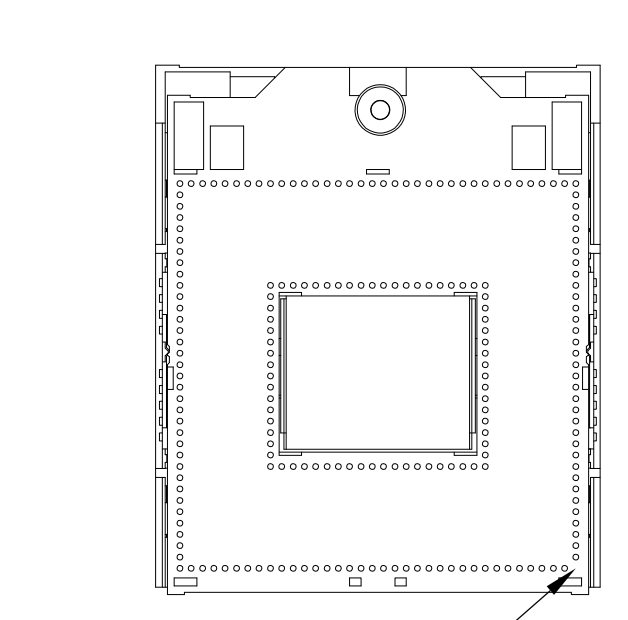
THIS DRAWING IS A CONTROLLED DOCUMENT.		DWN	TE Connectivity		
DIMENSIONS: 単位: 種 mm		CHK	NAME		
TOLERANCES UNLESS OTHERWISE SPECIFIED: 一般公差		APVD	SOCKET ASSY rPGA989 & rPGA988X		
①-PLC ±0.3		PRODUCT SPEC	SIZE	CAGE CODE	DRAWING NO
②-PLC ±0.3		製品規格	A2	00779	2013620
③-PLC ±0.3		APPLICATION SPEC	WEIGHT	RESTRICTED TO	
④-PLC ±0.3		取付適用規格			
ANGLES ±		FINISH 仕上	SCALE 4:1 SHEET 3 of 7 REV E4		
MATERIAL 材料		CUSTOMER DRAWING			

THIS DRAWING IS UNPUBLISHED. RELEASED FOR PUBLICATION
 © COPYRIGHT - By Tyco Electronics Japan G.K. ALL RIGHTS RESERVED.

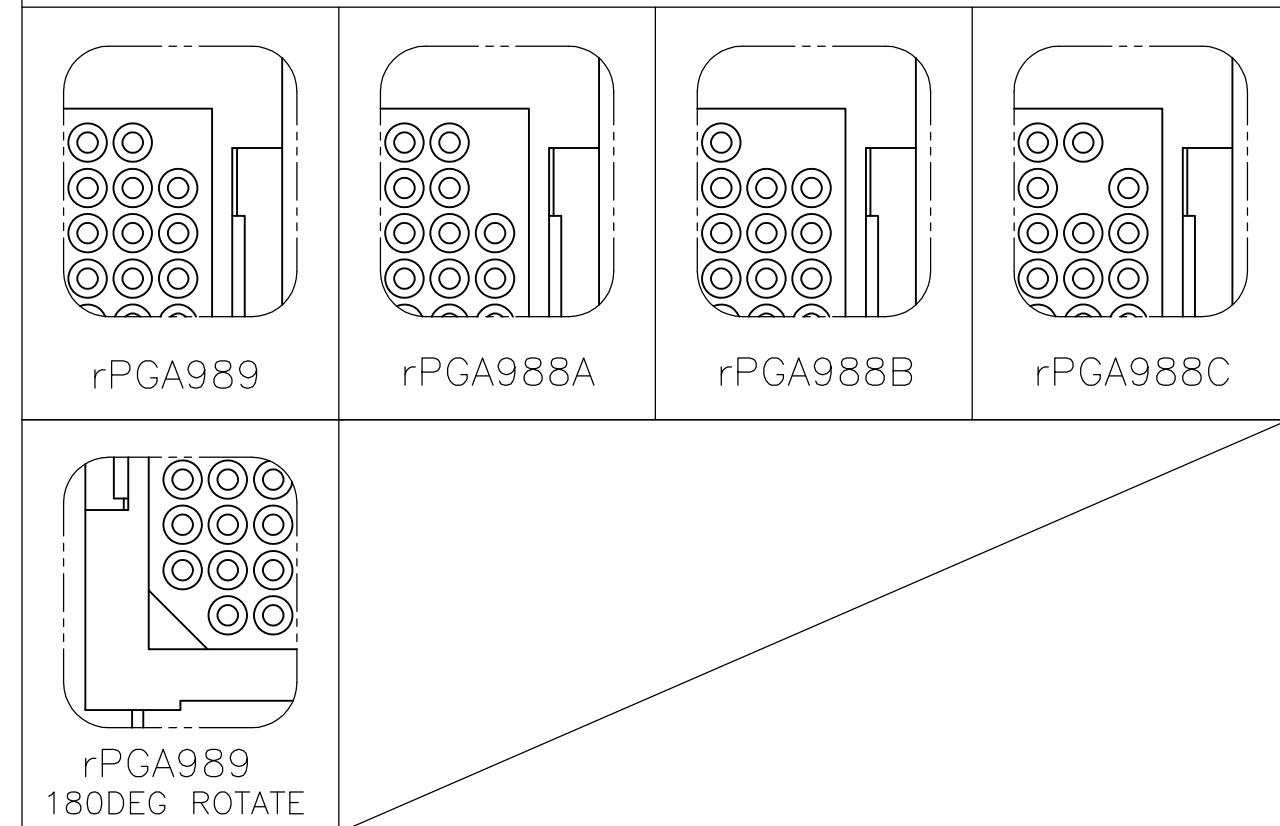
LOC		DIST		REVISIONS			
P	LTR	DATE	DWN	APVD	DESCRIPTION		
-	-	-	-	-	SEE SHEET 1		

PRODUCT TOP VIEW (WITHOUT CAP)

PRODUCT BOTTOM VIEW

PACKAGE ORIENTATION	rPGA989	rPGA988A	rPGA988B	rPGA988C	rPGA989/988A/988B/988C
STANDARD	 989 COVER HOLES 989 SOLDER BALLS	 988 COVER HOLES 989 SOLDER BALLS	 988 COVER HOLES 989 SOLDER BALLS	 988 COVER HOLES 989 SOLDER BALLS	 - PIN 1 OMIT
180DEG ROTATE	 989 COVER HOLES 989 SOLDER BALLS	/			 - PIN 1 OMIT

DETAIL Z
COVER HOLE CONFIGURATION



	7.7	56	120	TAPE & REEL	STD	rPGA989 180DEG ROTATE	5-2013620-3
	7.7	52	160	TAPE & REEL	STD	rPGA989 180DEG ROTATE	5-2013620-2
OBSOLETE	-7.8	56	120	TAPE & REEL	RAISED	rPGA988B	4-2013620-5
	-7.8	56	120	TAPE & REEL	RAISED	rPGA988A	4-2013620-4
	7.8	56	120	TAPE & REEL	RAISED	rPGA989	4-2013620-3
OBSOLETE	-7.7	52	160	TAPE & REEL	STD	rPGA988C	N/A
	7.7	56	120	TAPE & REEL	STD	rPGA988B	2-2013620-3
	-7.7	52	160	TAPE & REEL	STD	rPGA988B	2-2013620-2
OBSOLETE	-7.7	56	120	TAPE & REEL	STD	rPGA988A	1-2013620-3
	-7.7	52	160	TAPE & REEL	STD	rPGA988A	1-2013620-2
	7.7	56	180	TAPE & REEL	STD	rPGA989	2013620-4
	7.7	56	120	TAPE & REEL	STD	rPGA989	2013620-3
	7.7	52	160	TAPE & REEL	STD	rPGA989	2013620-2
	7.7	56	180	HARD TRAY	STD	rPGA989	2013620-1
	PRODUCT WEIGHT (g/SOCKET)	DIMENSION Y	SOCKET QTY PER TRAY OR REEL	PACKAGE TYPE	CAP TYPE	SOCKET TYPE	PART NO.

THIS DRAWING IS A CONTROLLED DOCUMENT. DWN: 01APR2008

TE Connectivity

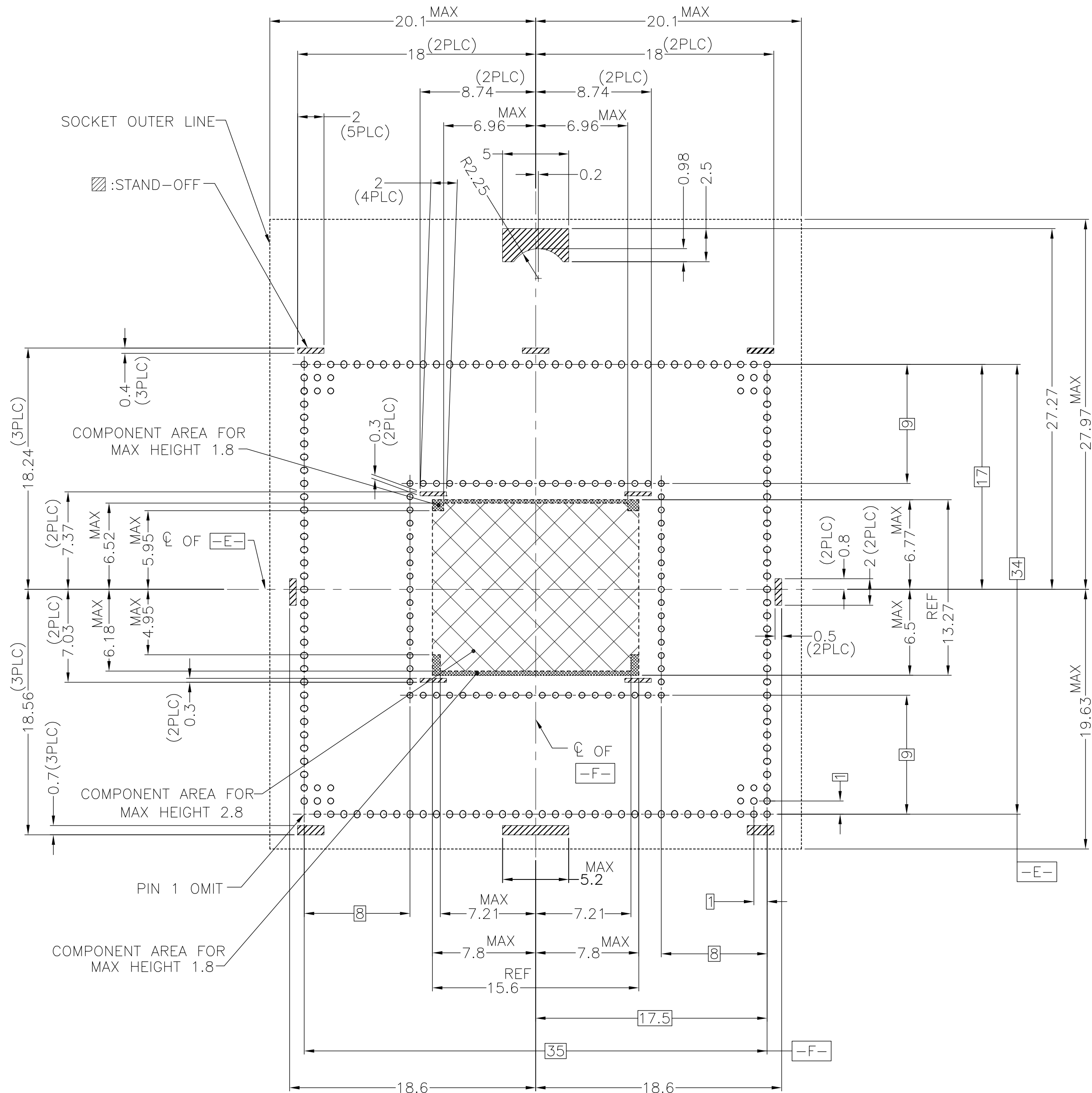
SOCKET ASSY
rPGA989 & rPGA988X

SIZE: A2 CAGE CODE: 00779 DRAWING NO: 2013620

SCALE: 4:1 SHEET: 4 of 7 REV: E4

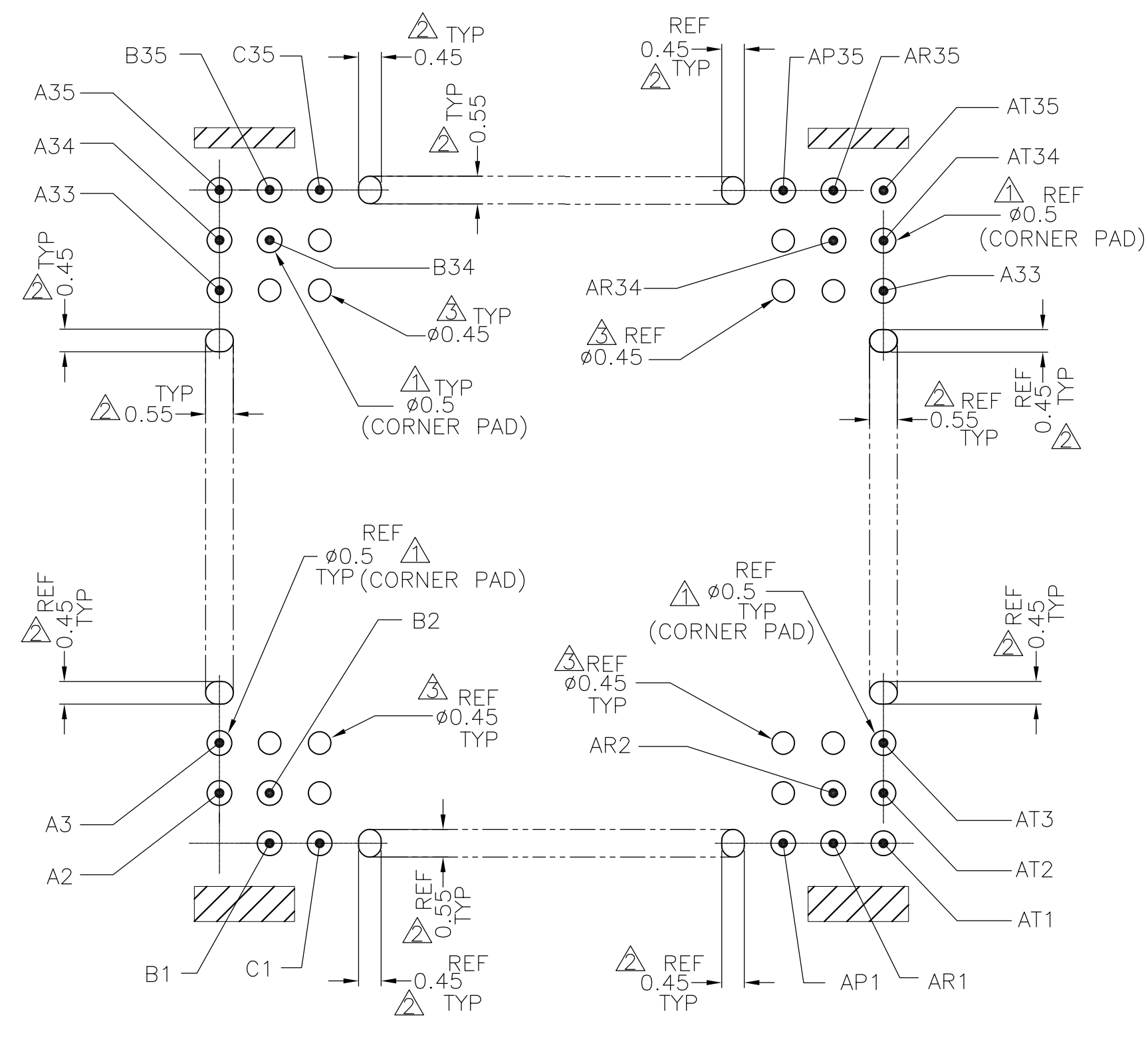
THIS DRAWING IS UNPUBLISHED. RELEASED FOR PUBLICATION
 © COPYRIGHT - By Tyco Electronics Japan G.K. ALL RIGHTS RESERVED.

LOC	DIST	P	LTR	REVISIONS	DATE	DWN	APVD
-	-	-	-	我変更	-	-	-
DESCRIPTION				SEE SHEET 1			



PCB LAYOUT

5-2013620-X AS SHOWN
 (180DEG ROTATE TYPE)



DETAIL FOR CORNER PAD

THIS DRAWING IS A CONTROLLED DOCUMENT.		DWN	01APR2008	
DIMENSIONS: 単位: 種 mm		CHK	-	
TOLERANCES UNLESS OTHERWISE SPECIFIED: 一般公差		APVD	-	
0-PLC	±0.3	PRODUCT SPEC	製品規格	
1-PLC	±0.3	APPLICATION SPEC	取付適用規格	
2-PLC	±0.3	WEIGHT	-	
3-PLC	±0.3	SIZE	A2	00779
4-PLC	±0.3	CAGE CODE	C=2013620	
ANGLES	±	DRAWING NO	2013620	
FINISH	仕上	RESTRICTED TO	-	
MATERIAL 材料		SCALE	4:1	SHEET 7 of 7
CUSTOMER DRAWING		REV	E4	

Mouser Electronics

Authorized Distributor

Click to View Pricing, Inventory, Delivery & Lifecycle Information:

[TE Connectivity:](#)

[1-2013620-2](#)