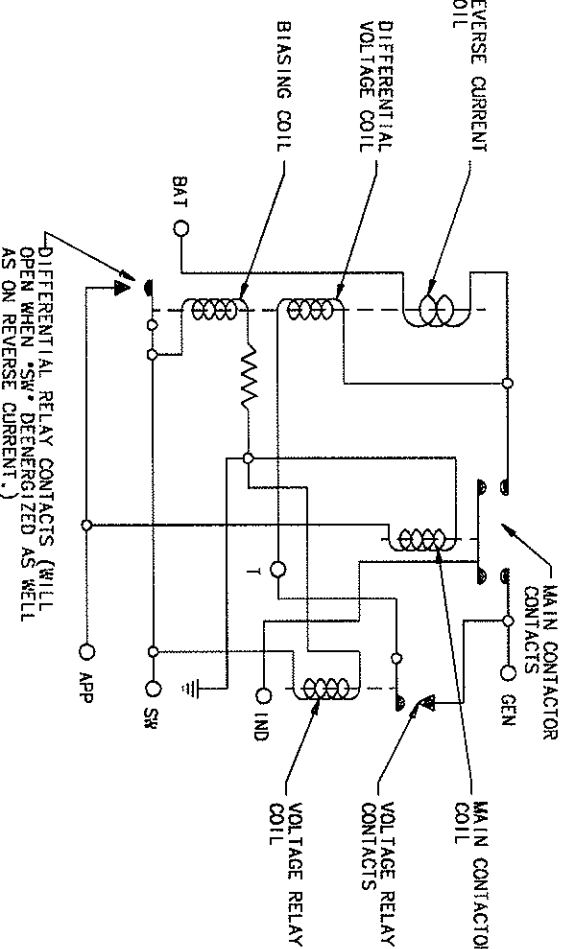
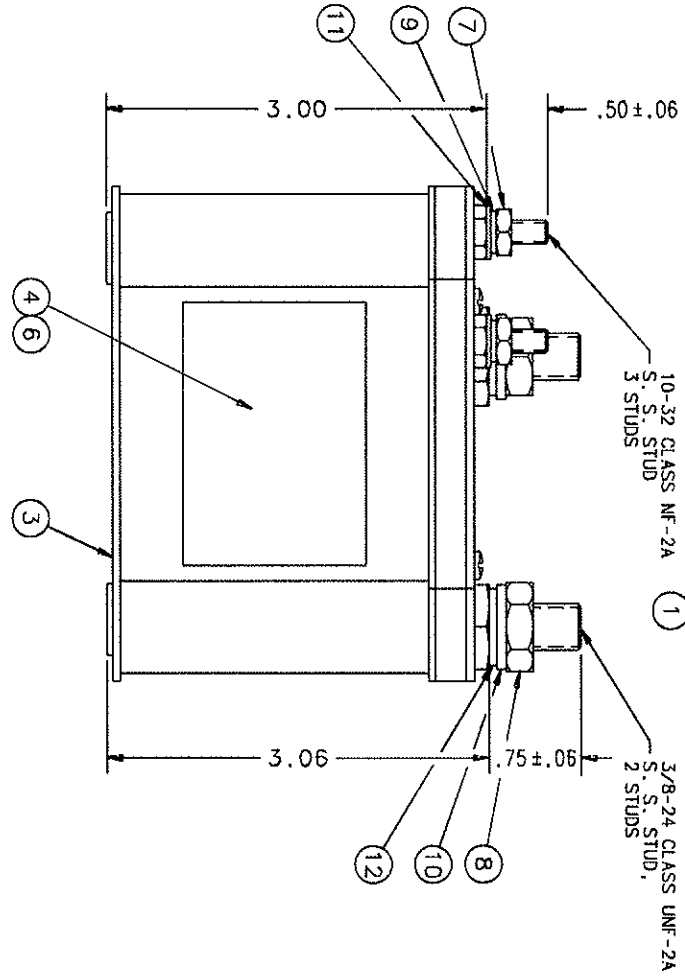
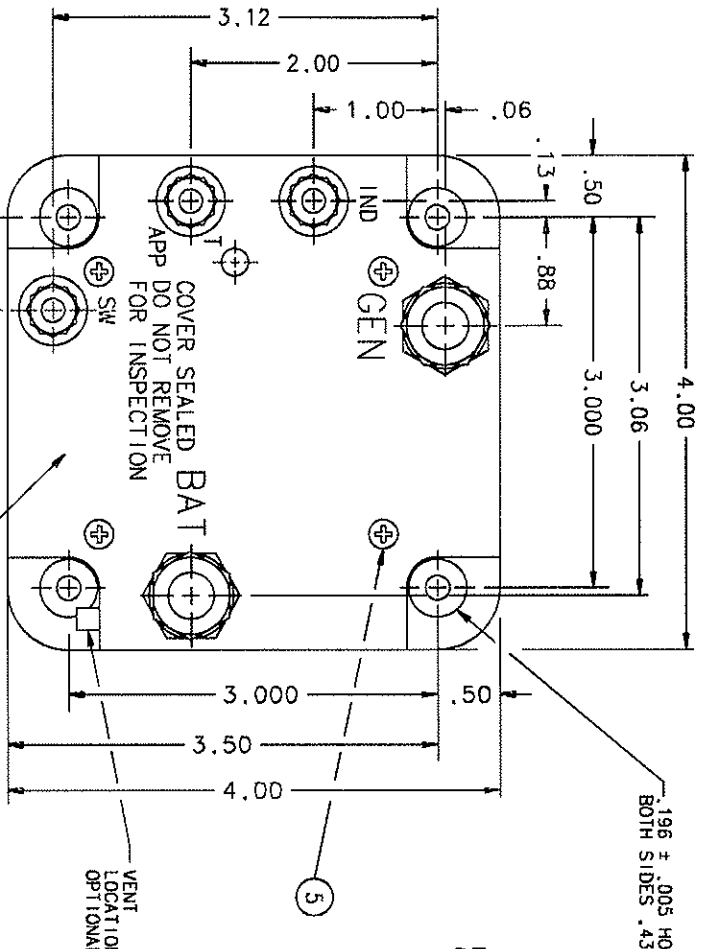


REV	DESCRIPTION	DATE	APPROVED
R	RE-ACTIVATED	98/04/15	DM
T	37924 FIND NO. 4 PLATE NAME WAS 16043-001	98/11/13	RS
U	0739-03 ADDED 'LOCATION OPTIONAL' TO VENT CALLOUT	03/08/23	(7/1)



NOMINAL VOLTAGE 29 V.D.C
 CURRENT RATING 100 AMPERE
 REVERSE CURRENT DROPOUT 4 - 10 AMPERE
 DIFFERENTIAL VOLTAGE PICKUP .5 ± .15 VDC
 MAXIMUM WEIGHT 2.9 LBS.

FIND NO	QTY	PART OR IDENTIFYING NO	NOMENCLATURE OR DESCRIPTION	FSM NO	DRAWING OR SPECIFICATION	MATERIAL OR NOTE
1	1	07822-000	PLATE - COVER, BASE INSULATING			
2	1	16043-089	CUTOFF ASSEM.-PRI. REV. CURRENT			
3	1	28046-020				
4	1	16043-089	PLATE - NAME			
5	4	51200-020	SCREW No. 4 X 1/4 PAN HD.			SHEET METAL S. STEEL
6	1	39529-001	OVERLAY - NAME PLATE			
7	3	50410-086	NUT, 10-32 X 3/8 X 1/8 HEX.			BRASS
8	2	50407-186	NUT 3/8-24 X 5/8 X 7/32 HEX.			BRASS
9	3	51810-031	WASHER - LOCK No. 10 SPLIT			STEEL
10	2	51807-071	WASHER - LOCK No. 3/8 SPLIT			STEEL
11	3	51702-851	WASHER 7/16 X 13/84 X .032 FLAT			STEEL
12	2	51704-161	WASHER 5/8 X .390 X .064 FLAT			STEEL

UNLESS OTHERWISE SPECIFIED DIMENSIONS ARE IN INCHES TOLERANCES OR

2 PL DEC.13 PL DECANGLES ± .06 ± .010 ± 1°

DR BY CSC 03/09/09
 CHK BY CA C3129116
 ENGR RSC 09/09/11
 MFG ID 03-09-07
 SIZE CODE IDENT
 C 74063
 SCALE NONE SHEET

tyco Electronics
 Tyco Electronics Division, 175 N. Diamond Street, Mansfield, Ohio 44902

DWG NO. A-718AP
 REF TYCO P/N 2-1616109-0

Mouser Electronics

Authorized Distributor

Click to View Pricing, Inventory, Delivery & Lifecycle Information:

[TE Connectivity:](#)

[A718AP](#)