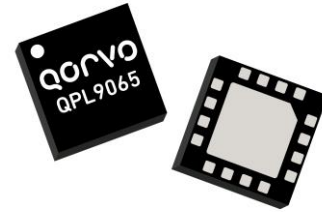


Product Description

The QPL9065 is a high-linearity, ultra-low noise 2-stage gain block amplifier module with a bypass mode functionality integrated to the second stage in the product. At 1.95GHz, the amplifier, under high gain mode, typically provides 37.5dB gain, +36dBm OIP3, and 0.55dB noise figure while drawing 160mA current from a +5V supply. The component also provides high performance in the low gain mode with 17.5dB gain, 0.55dB noise figure and +33dBm OIP3 while drawing 70mA current.

The QPL9065 uses a high-performance E-pHEMT process. This low noise amplifier contains an internal active bias to maintain high performance over temperature.

The QPL9065 covers the 0.45–3.8GHz frequency band and is targeted for wireless infrastructure. The QPL9065 is housed in a 3.5x3.5mm SMT package.

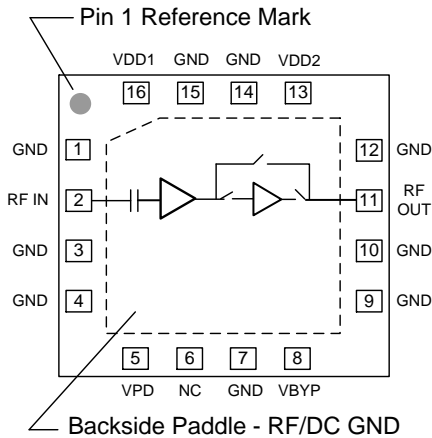


16 Pin 3.5 X 3.5mm Leadless SMT Package

Product Features

- 0.45 – 3.8GHz Operational bandwidth
- 2nd stage LNA with integrated bypass mode
- Ability to turn LNA and bypass mode OFF
- Ultra-low noise, 0.55dB at 1.95GHz
- 37.5dB Gain at 1.95GHz, 17.5dB in Low Gain Mode
- +36dBm Output IP3 in High Gain Mode
- +33dBm Output IP3 in Low Gain Mode
- Positive supply only, +3.3 to +5 V
- 1.8V CMOS Logic compatible on control pins 5 & 8

Functional Block Diagram



Applications

- Base Station Receivers
- Tower Mount Amplifiers
- Repeaters
- FDD-LTE, TDD-LTE, WCDMA
- General Purpose Wireless

Ordering Information

Part No.	Description
QPL9065TR13	2500 pieces on a 13" reel
QPL9065PCB401	1.7-2.7GHz Tuned Evaluation Board

Absolute Maximum Ratings

Parameter	Range / Value	Units
Storage Temperature	-65 to 150	°C
Drain Voltage (V _{DD})	+7	V
Input Power (CW)	+22	dBm

Exceeding any one or a combination of the Absolute Maximum Rating conditions may cause permanent damage to the device. Extended application of Absolute Maximum Rating conditions to the device may reduce device reliability.

Recommended Operating Conditions

Parameter	Min	Typ	Max	Units
Supply Voltage	+3.3	+5.0	+5.25	V
T _{CASE}	-40		+105	°C
T _j at T _{CASE} = 125°C			+169	°C

Electrical specifications are measured under bias, signal and temperature conditions as specified. Specifications are not guaranteed over all recommended operating conditions.

Electrical Specifications

Test conditions unless otherwise noted: V_{DD} = +5V, Temp. = +25°C.

Parameter	Conditions	Min	Typ	Max	Units
Operational Frequency Range		450		3800	MHz
Test Frequency			1950		MHz
Gain	High Gain Mode	35.5	37.5	39.5	dB
Input Return Loss			12.5		dB
Output Return Loss			15		dB
Noise Figure			0.55	0.8	dB
Output P1dB			+17.5 ⁽¹⁾	+20.8	
Output IP3	High Gain Mode, P _{out} =+5dBm/tone, Δf=1 MHz	+32	+36		dBm
Gain	Low Gain Mode	16.2	17.5	19.2	dB
Input Return Loss			11.5		dB
Output Return Loss			12		dB
Noise Figure			0.55	0.8	dB
Output P1dB			+15.8 ⁽¹⁾	+18	
Output IP3	Low Gain Mode, P _{out} =+5dBm/tone, Δf=1 MHz	+30	+33		dBm
Control Voltage, V _{PD} , V _{BYP}	V _{IH}	1.17		3.3	V
	V _{IL}	0		0.63	V
Current, I _D	High Gain Mode	80	160	200	mA
	Low Gain Mode	43	70	98	mA
	LNAs OFF, Bypass OFF		5		mA
Thermal Resistance, θ _{Jc}	High Gain Mode (Channel to case)			42	°C/W
	Low Gain Mode (Channel to case)			70	°C/W

Notes:

1. P1dB is not measured in production test. This min spec is calculated based on design confidence.

Control Truth Table

V _{PD}	V _{BYP}	State	
1	0	High Isolation Mode	LNA1 OFF, LNA2 OFF, & Bypass OFF
0	0	High Gain Mode	LNA1 ON, LNA2 ON, & Bypass OFF
0	1	Low Gain Mode	LNA1 ON, LNA2 OFF, & Bypass ON
1	1	Low Isolation Mode	LNA1 OFF, LNA2 OFF, & Bypass ON

Typical Performance

Test conditions unless otherwise noted: $V_{DD}=+5V$, $Temp=+25^{\circ}C$, on Qorvo EVB

Parameter	Conditions	Typical Values				Units
		900	1950	2600	3600	
Frequency		900	1950	2600	3600	MHz
Gain	High Gain Mode	47.5	37.5	33	28.8	dB
Input Return Loss		17.5	12.7	13.5	12	dB
Output Return Loss		12.5	15.7	12.5	8.2	dB
Noise Figure		0.7	0.55	0.65	1.1	dBm
Output P1dB		+21.2	+20.8	+20.2	+19.7	dBm
Output IP3	$P_{out}=+3dBm/tone, \Delta f=1MHz$ High Gain Mode	+35.6	+36	+34.3	+36	dBm
Gain	Low Gain Mode	23.2	17.5	15	11.3	dB
Input Return Loss		14	11.5	13.7	12	dB
Output Return Loss		12	12	25	10	dB
Noise Figure		0.7	0.55	0.65	1.1	dB
Output P1dB		+20	+18	+17.3	+14.5	dBm
Output IP3	$P_{out}=+0 dBm/tone, \Delta f=1 MHz$ Low Gain Mode	+33	+33	+34.5	+30	dBm

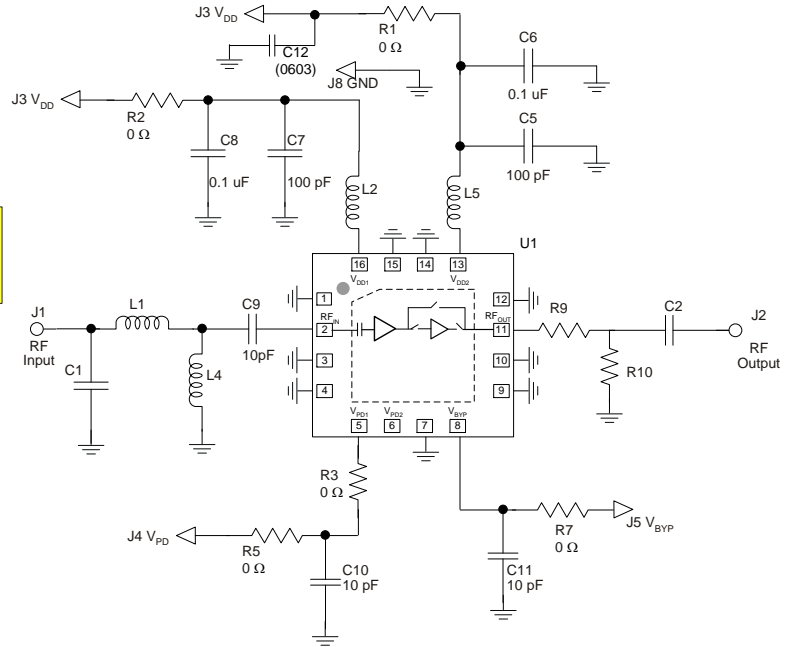
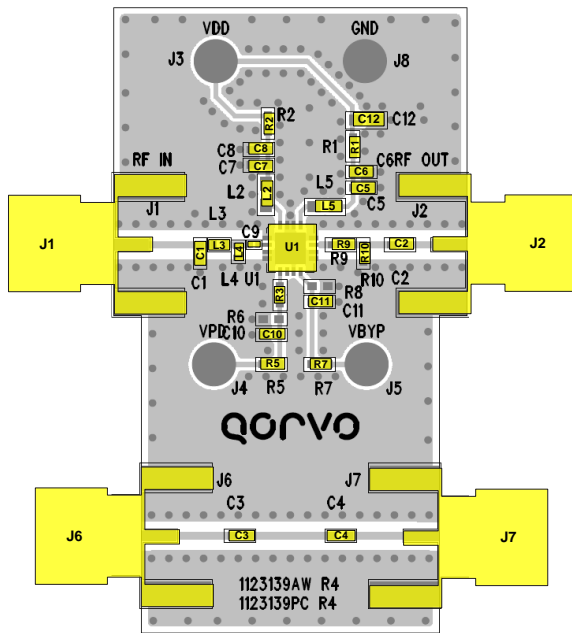
Note: Noise figure data has input trace loss deducted.

Switching Time ⁽¹⁾

V_{PD}	V_{BYP}	State	50% of Vctrl to 90% of RF			50% of Vctrl to 10% of RF			Units
			-40°C	25°C	105°C	-40°C	25°C	105°C	
0	0	LNA1 ON, LNA2 ON, Bypass OFF	730	400	360	880	730	640	ns
1	1	LNA1 OFF, LNA2 OFF, Bypass ON							
0	0	LNA1 ON, LNA2 ON, Bypass OFF	276	292	300	780	740	690	
0	1	LNA1 ON, LNA2 OFF, Bypass ON							
1	1	LNA1 OFF, LNA2 OFF, Bypass ON	214	190	176	303	275	256	
0	1	LNA1 ON, LNA2 OFF, Bypass ON							

Note: To achieve the switching time listed, placement of R10 and C9 are critical. Refer to pg. 4 for EVB schematic and BOM.

QPL9065PCB401 Evaluation Board (1.7~2.7 GHz)



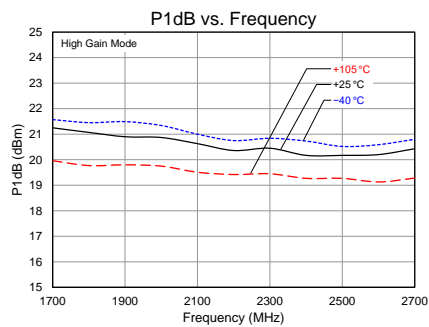
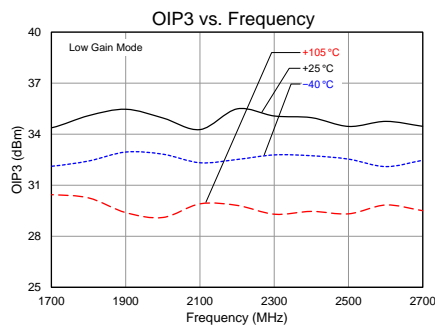
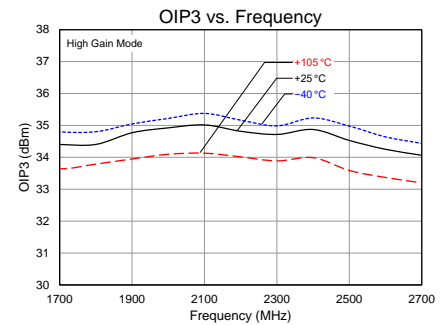
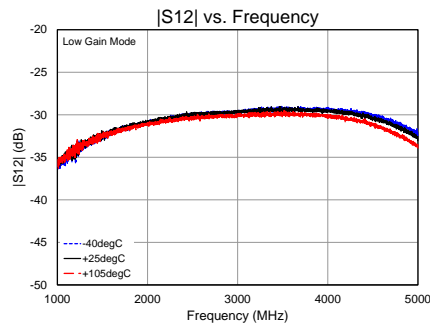
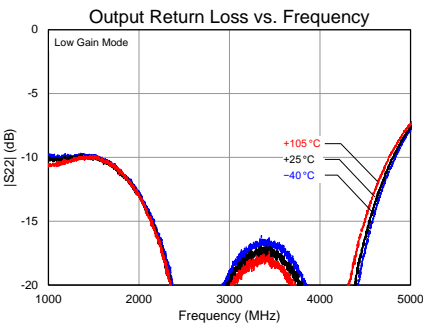
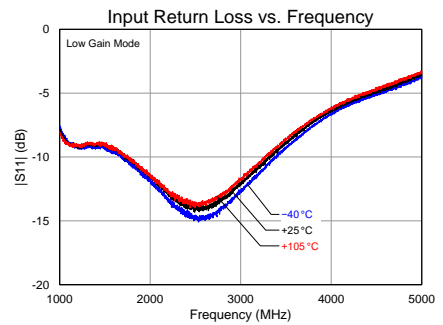
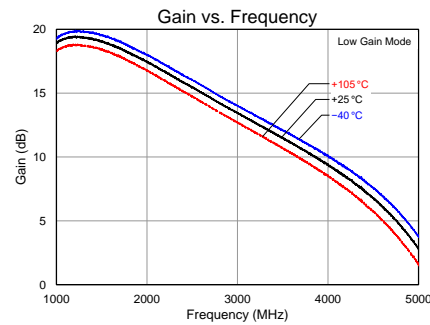
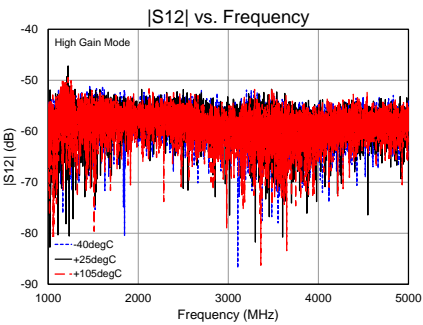
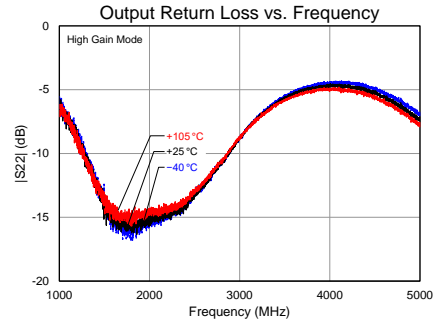
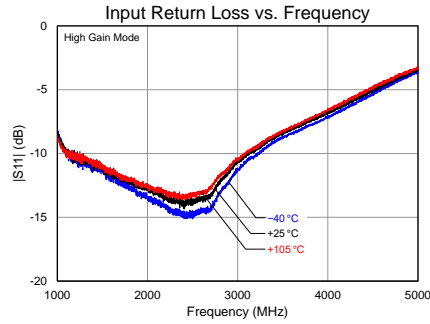
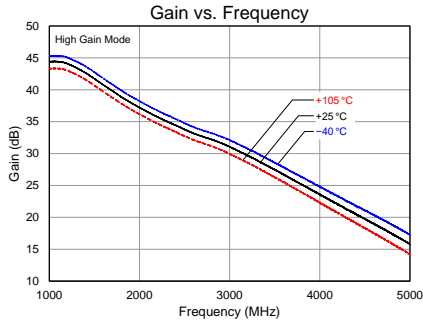
See Evaluation Board PCB Information section for PCB material and stack-up.

Bill of Material – QPL9065PCB401 Evaluation Board

Reference Des.	Value	Description	Manuf.	Part Number
-	-	PCB	Qorvo	1123139
U1	-	2-Stage Bypass LNA	Qorvo	QPL9065
R1, 2, 3, 5, 7	0Ω	RES, 0402, +/-5%, 1/16W	Various	
R10	39K	RES, 0402, +/-5%, 1/16W	Various	
C1	0.5pF	CAP, 0402, +/-0.1pF, 50V, C0G	Murata	GJM1555C1HR50BB01D
R9	5.1Ω	RES, 0402, +/-5%, 1/16W	various	
L1	1.5nH	IND, 0402, +/-0.1nH, 1000mA	Murata	LQP15MN1N5B02D
L4	6.8nH	IND, 0402, +/-2%, 700mA	Murata	LQG15HS6N8J02
C2, 3, 4, 5, 7	100pF	CAP, 0402, +/-5%, 50V	Various	
C6, 8	0.1μF	CAP, 0402, 20%, 16V, Y5V	Various	
C9	10pF	CAP, 0201, 2%, 50V	Murata	GRM0335C1H100GA01
C12	4.7μF	CAP, 0603, 20%, 10V, Y5V	Various	
C10, 11	10pF	CAP, 0402, 2%, 50V	various	
L2	2.2nH	IND, 0402, +/-0.2nH, 1000mA	Murata	LQW15AN2N2C10
L5	18nH	IND, 0603, 5%	Coilcraft	0603CS-18NXJL

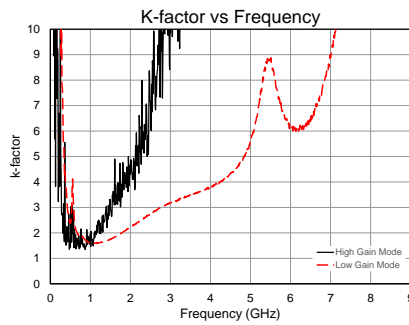
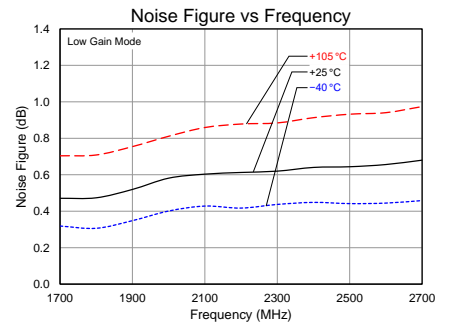
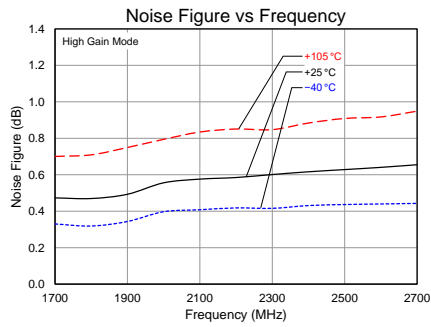
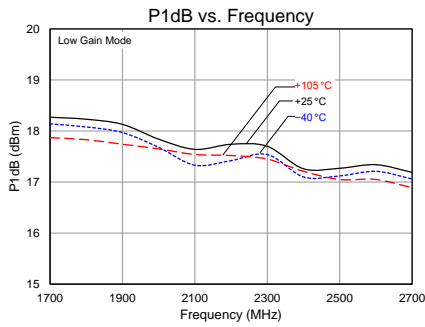
Performance Plots

Test conditions unless otherwise noted: $V_{DD} = +5V$, Temp. = +25 °C, on Qorvo EVB



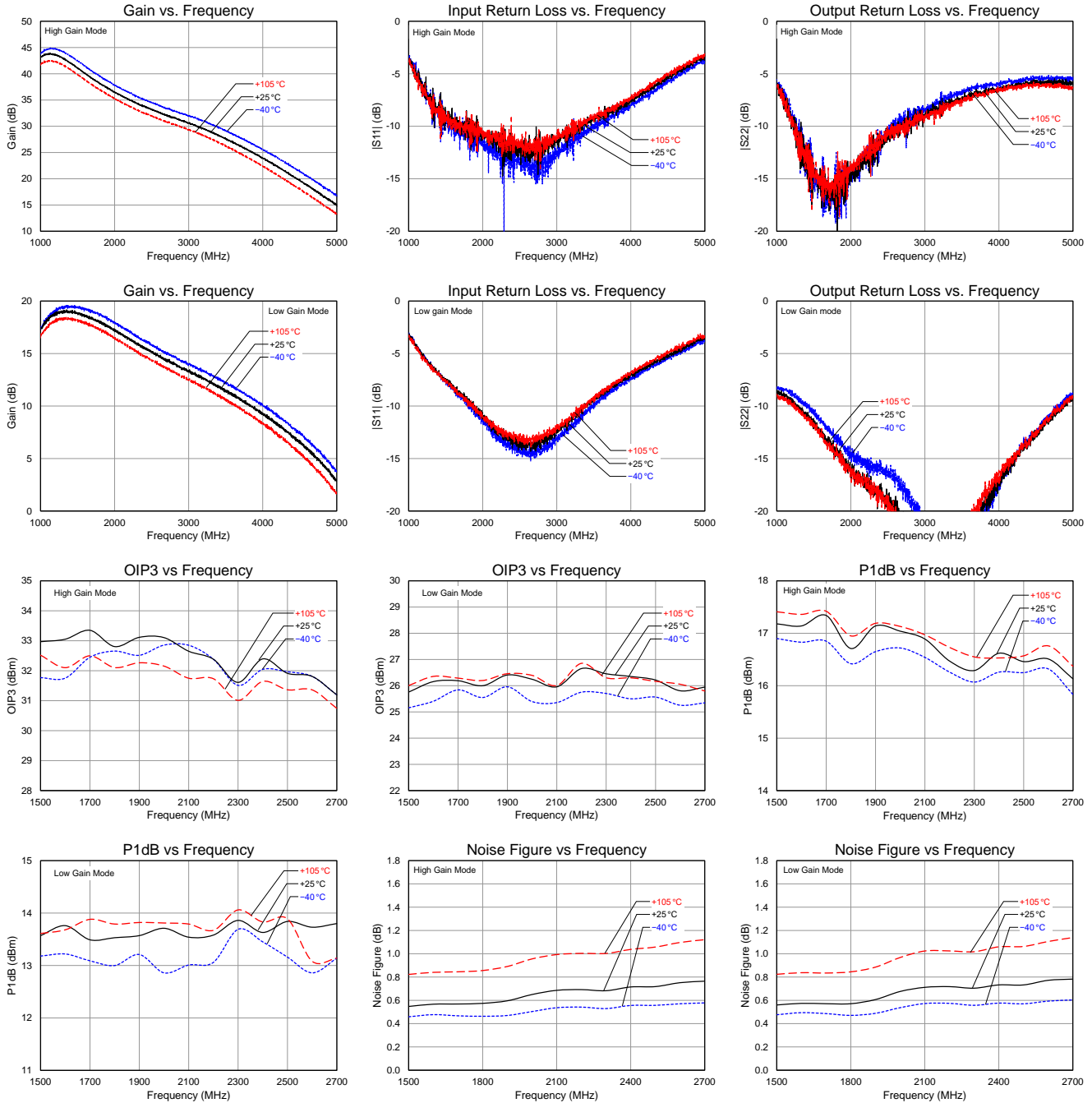
Performance Plots

Test conditions unless otherwise noted: $V_{DD} = +5V$, Temp. = +25 °C, on Qorvo EVB

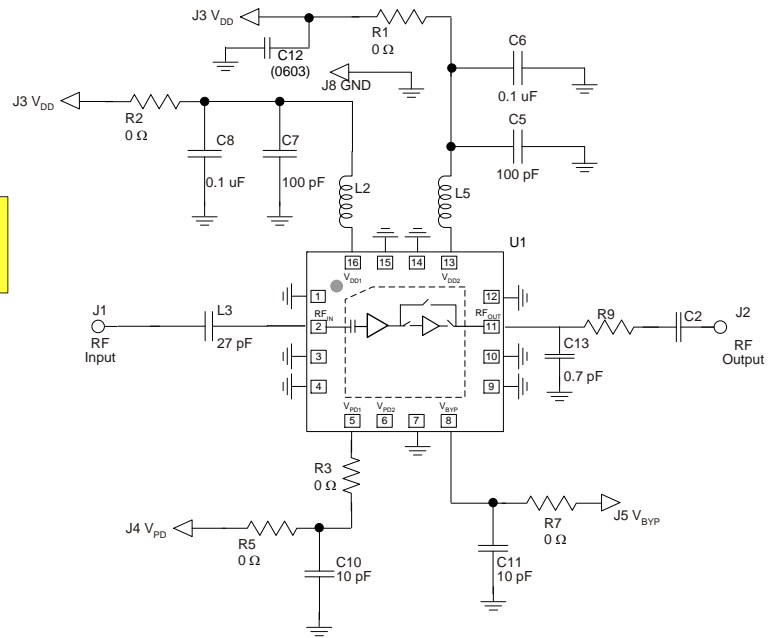
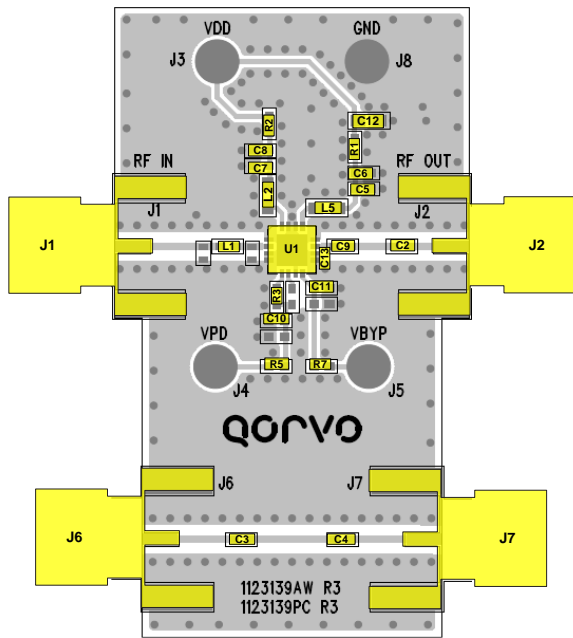


Performance Plots ($V_{DD} = 3.3V$)

Test conditions unless otherwise noted: $V_{DD} = +3.3V$, $I_{DD}(\text{high gain mode}) = 98mA$, $I_{DD}(\text{low gain mode}) = 55mA$, Temp. = $+25^{\circ}C$, on Qorvo EVB



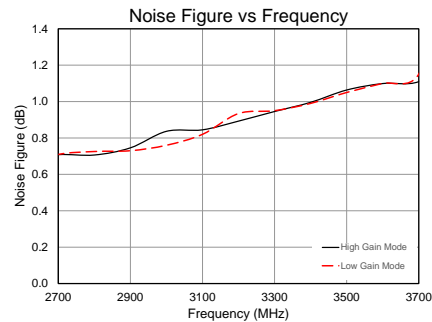
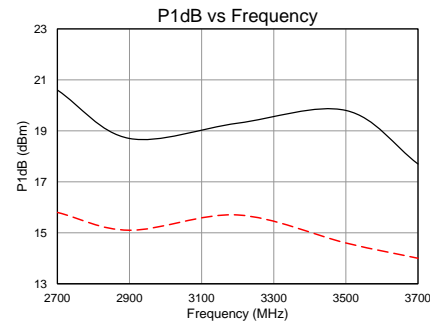
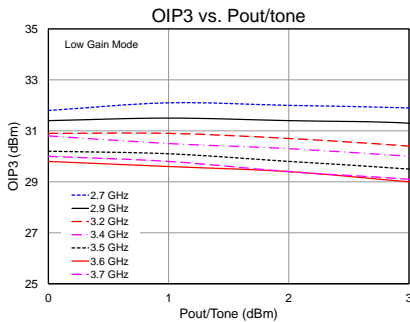
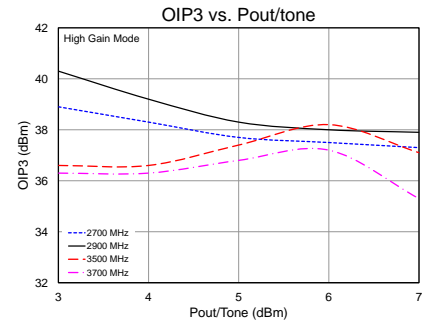
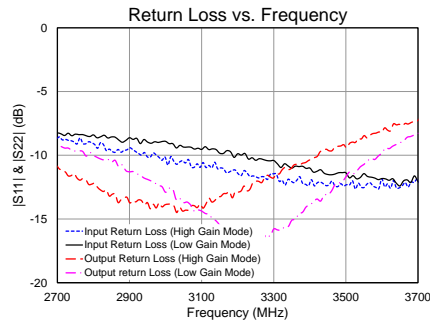
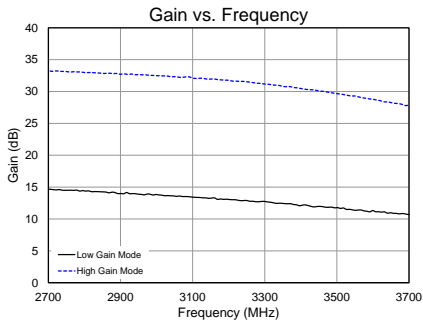
QPL9065 2.7~3.7GHz Reference Design



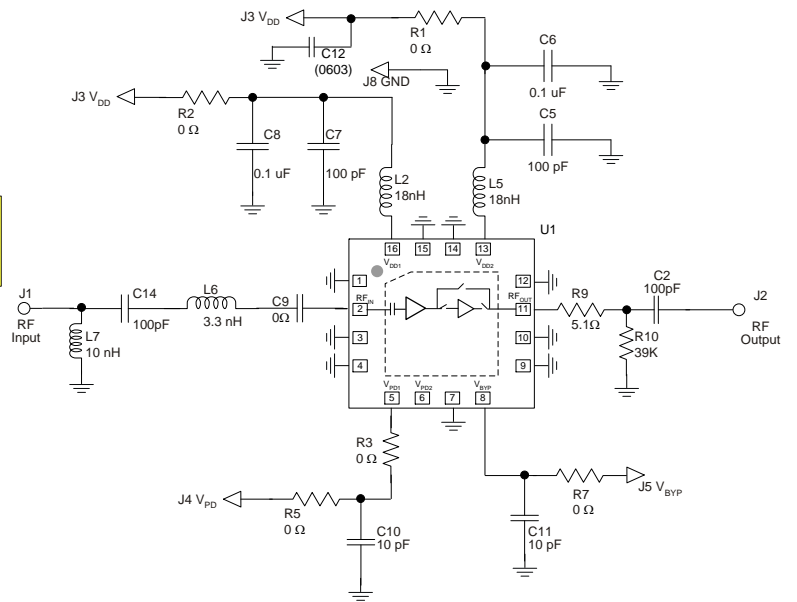
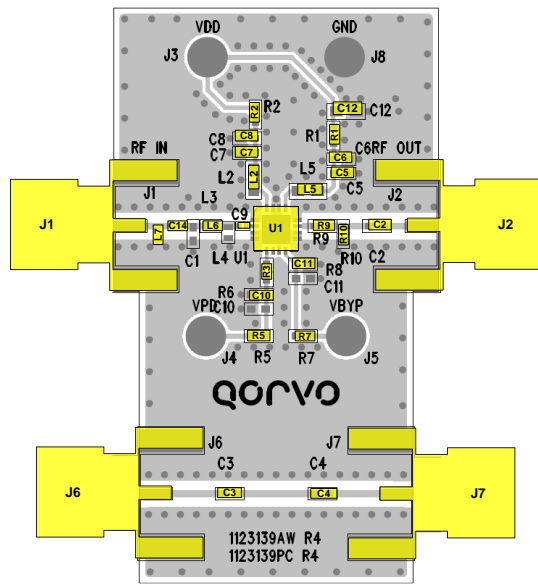
See Evaluation Board PCB Information section for PCB material and stack-up.

Performance Plots – 2.7~3.7GHz Reference Design

Test conditions unless otherwise noted: $V_{DD}=+5V$, $I_{DD} = 65mA$, $Temp=+25^{\circ}C$. Noise figure has input trace loss deducted.



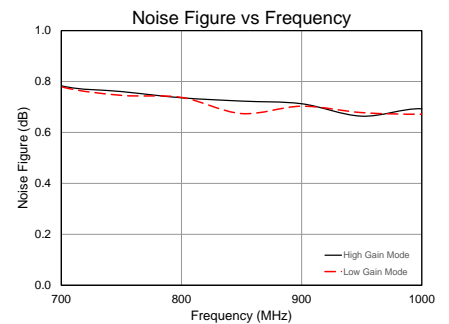
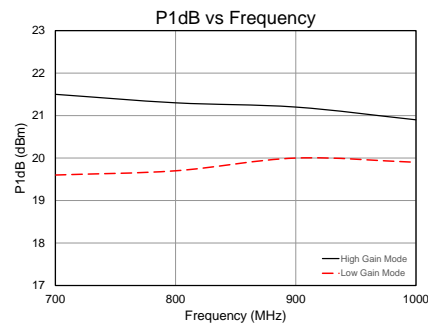
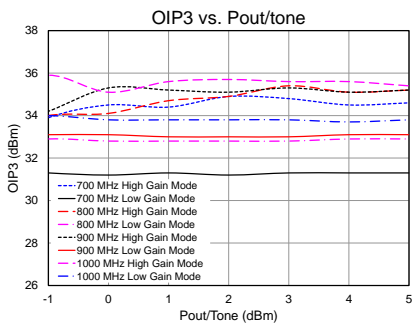
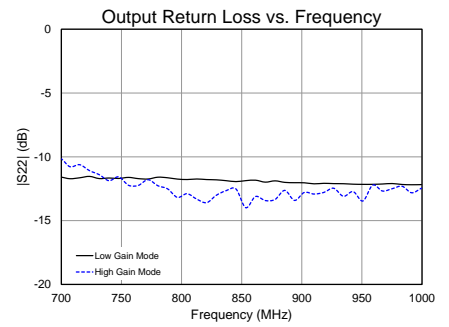
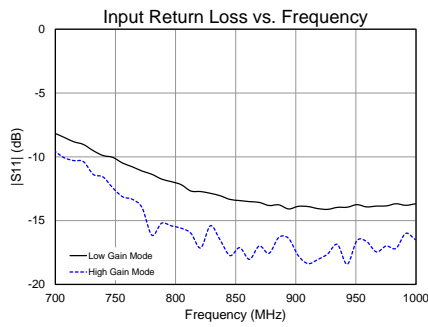
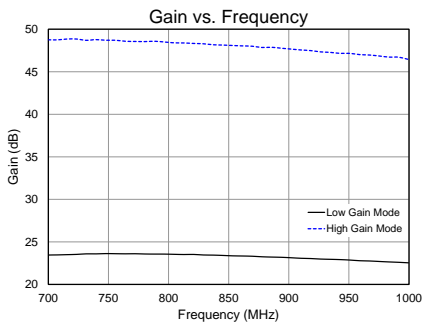
QPL9065 700~1000 MHz Reference Design



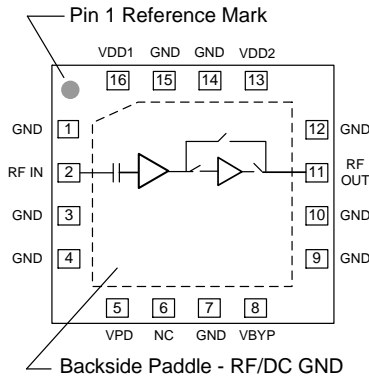
See Evaluation Board PCB Information section for PCB material and stack-up.

Performance Plots – 700~1000MHz Reference Design

Test conditions unless otherwise noted: $V_{DD}=+5\text{ V}$, $I_{DD}=65\text{ mA}$, $\text{Temp}=+25^\circ\text{C}$, on Qorvo EVB



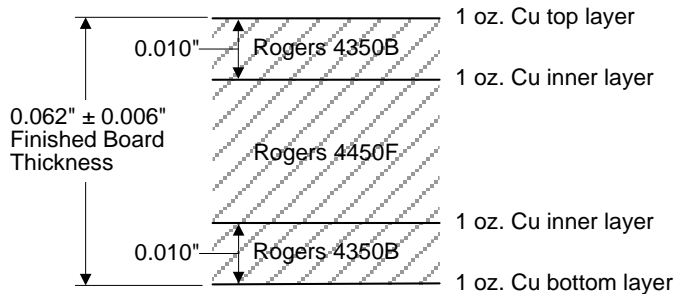
Pin Configuration and Description



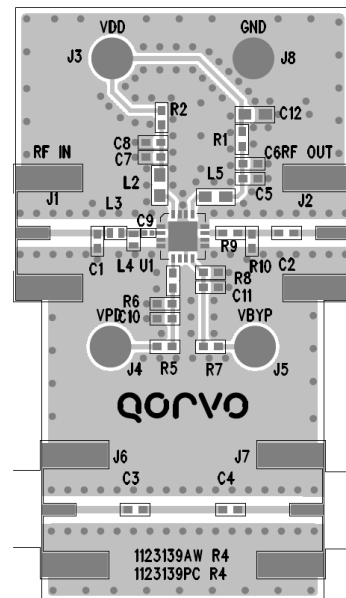
Pin No.	Label	Description
1, 3, 4, 7, 9, 10, 12, 14, 15	GND	RF/DC Ground pin.
2	RF IN	RF input pin. Internally DC blocked.
5	VPD	Power Down control for LNAs. Refer to truth table on pg. 2. Voltage should not exceed 3V. Recommended that VDD1 is applied before the control voltage.
6	NC	No internal connection but can be grounded for mounting integrity.
8	VBYP	Bypass mode enable pin for LNA2. Refer to truth table on pg. 2. Voltage should not exceed 3V. Recommended that VDD1 is applied before the control voltage.
11	RF OUT	RF output pin. External DC block required.
13	VDD2	Supply voltage pin for LNA2.
16	VDD1	Supply voltage pin for LNA1.
Backside Paddle	RF/DC GND	RF/DC Ground. Follow recommended via pattern and ensure good solder attach for best thermal and electrical performance.

Evaluation Board PCB Information

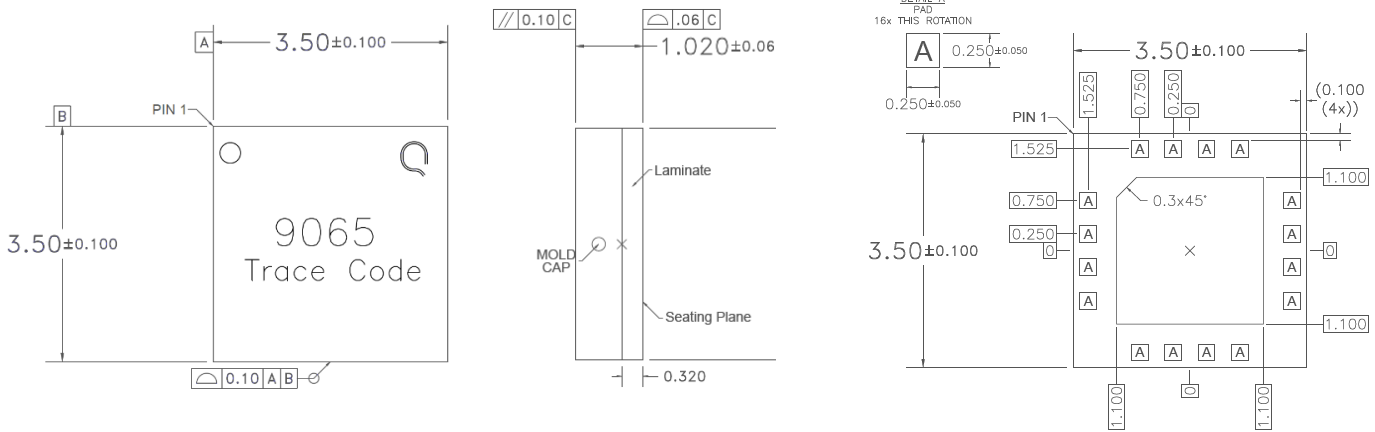
Qorvo PCB 1123139 Material and Stack-up



50Ω line dimensions: width = .020", spacing = .032"



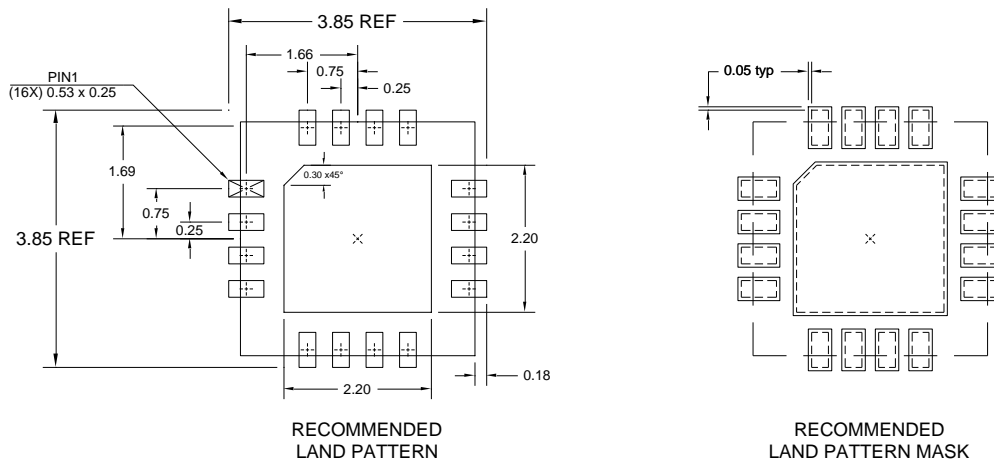
Package Marking and Dimensions



Notes:

1. All dimensions are in millimeters. Angles are in degrees.
2. Dimension and tolerance formats conform to ASME Y14.4M-1994.
3. The terminal #1 identifier and terminal numbering conform to JESD 95-1 SPP-012.

PCB Mounting Pattern



Notes:

1. All dimensions are in millimeters. Angles are in degrees.
2. Use 1 oz. copper minimum for top and bottom layer metal.
3. Vias are required under the backside paddle of this device for proper RF/DC grounding and thermal dissipation.
4. Do not remove or minimize via hole structure in the PCB. Thermal and RF grounding is critical.
5. We recommend a 0.35mm (#80/.0135") diameter bit for drilling via holes and a final plated thru diameter of 0.25 mm (0.010").
6. Ensure good package backside paddle solder attach for reliable operation and best electrical performance.

Handling Precautions

Parameter	Rating	Standard
ESD – Human Body Model (HBM)	Class 1C	ESDA / JEDEC JS-001-2012
ESD – Charged Device Model (CDM)	Class C3	JEDEC JESD22-C101F
MSL – Moisture Sensitivity Level	Level 3	IPC/JEDEC J-STD-020



Caution!
ESD-Sensitive Device

Solderability

Compatible with both lead-free (260°C max. reflow temp.) and tin/lead (245°C max. reflow temp.) soldering processes. Solder profiles available upon request.

Contact plating: Electrolytic Plated Au over Ni

RoHS Compliance

This part is compliant with the 2011/65/EU RoHS directive (Restrictions on the Use of Certain Hazardous Substances in Electrical and Electronic Equipment) as amended by Directive 2015/863/EU. This product also has the following attributes:

- Product uses RoHS Exemption 7c-I to meet RoHS Compliance requirements.
- Halogen Free (Chlorine, Bromine)
- Antimony Free
- TBBP-A (C₁₅H₁₂Br₄O₂) Free
- PFOS Free
- SVHC Free

Contact Information

For the latest specifications, additional product information, worldwide sales and distribution locations:

Web: www.qorvo.com
Tel: 1-844-890-8163
Email: customer.support@qorvo.com

Important Notice

The information contained herein is believed to be reliable; however, Qorvo makes no warranties regarding the information contained herein and assumes no responsibility or liability whatsoever for the use of the information contained herein. All information contained herein is subject to change without notice. Customers should obtain and verify the latest relevant information before placing orders for Qorvo products. The information contained herein or any use of such information does not grant, explicitly or implicitly, to any party any patent rights, licenses, or any other intellectual property rights, whether with regard to such information itself or anything described by such information. **THIS INFORMATION DOES NOT CONSTITUTE A WARRANTY WITH RESPECT TO THE PRODUCTS DESCRIBED HEREIN, AND QORVO HEREBY DISCLAIMS ANY AND ALL WARRANTIES WITH RESPECT TO SUCH PRODUCTS WHETHER EXPRESS OR IMPLIED BY LAW, COURSE OF DEALING, COURSE OF PERFORMANCE, USAGE OF TRADE OR OTHERWISE, INCLUDING THE IMPLIED WARRANTIES OF MERCHANTABILITY AND FITNESS FOR A PARTICULAR PURPOSE.**

Without limiting the generality of the foregoing, Qorvo products are not warranted or authorized for use as critical components in medical, life-saving, or life-sustaining applications, or other applications where a failure would reasonably be expected to cause severe personal injury or death.

Copyright 2024 © Qorvo, Inc. | Qorvo is a registered trademark of Qorvo, Inc.

Mouser Electronics

Authorized Distributor

Click to View Pricing, Inventory, Delivery & Lifecycle Information:

[Qorvo:](#)

[QPL9065TR13](#) [QPL9065SR](#) [QPL9065PCB401](#)