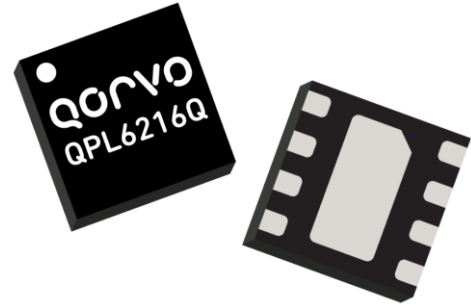


## Product Description

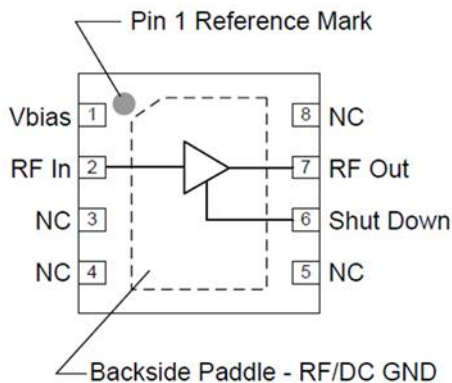
The QPL6216Q is a high linearity, ultra-low noise gain block amplifier in a small 2x2 mm surface-mount package. At 2332 MHz, the amplifier typically provides +36 dBm OIP3. The amplifier does not require any negative supplies for operation and can be biased from positive supply rails for 3.3 to 5.25 V. The device is housed in a lead-free/green/RoHS-compliant industry-standard 2x2 mm package.

The QPL6216Q uses a high performance E-pHEMT process. The low noise amplifier contains an internal active bias to maintain high performance over temperature.



Package: DFN, 8-pin  
2.0mm x 2.0mm x 0.85mm

## Functional Block Diagram



## Feature Overview

- Tested in accordance with AEC-Q100 Grade 2
- High Gain device – Typical value 15.1dB
- Ultra-low noise figure, 0.45 dB NF at 2332 MHz
- High linearity, +36 dBm Output IP3
- Unconditionally stable
- Externally controlled Icq with Vbias
- Integrated shutdown control pin
- 3.3-5.25 V positive supply voltage: -Vgg not required

## Applications

- SDARS Active Antenna

## Ordering Information

PART NUMBER	DESCRIPTION
QPL6216QSB	5 PIECE SAMPLE BAG
QPL6216QSQ	25 PIECE SAMPLE BAG
QPL6216QSR	100 PIECE 7" REEL
QPL6216QTR7	2500 PIECE 7" REEL
QPL6216QPCK-01	EVALUATION BOARD + 5 PC SAMPLE BAG

Standard T/R Size = 2500 pieces on a reel

## Absolute Maximum Ratings

PARAMETER	RATING	UNITS
Storage Temperature	-65 to 150°	C
Supply Voltage ( $V_{DD}$ )	+7	V
RF Input Power, CW, 50Ω, T = 25°C	+22	dBm

## Recommended Operating Conditions

PARAMETER	MIN	TYP	MAX	UNITS
Supply Voltage ( $V_{DD}$ )	+3.3	+4.5	+5.25	V
Bias Voltage ( $V_{bias}$ )	+3.3	+3.6	+5.25	V
TCASE	-40		+105	°C
TJ (for >10 <sup>6</sup> hours MTTF)			+190	°C

## Electrical Specifications at +25°C

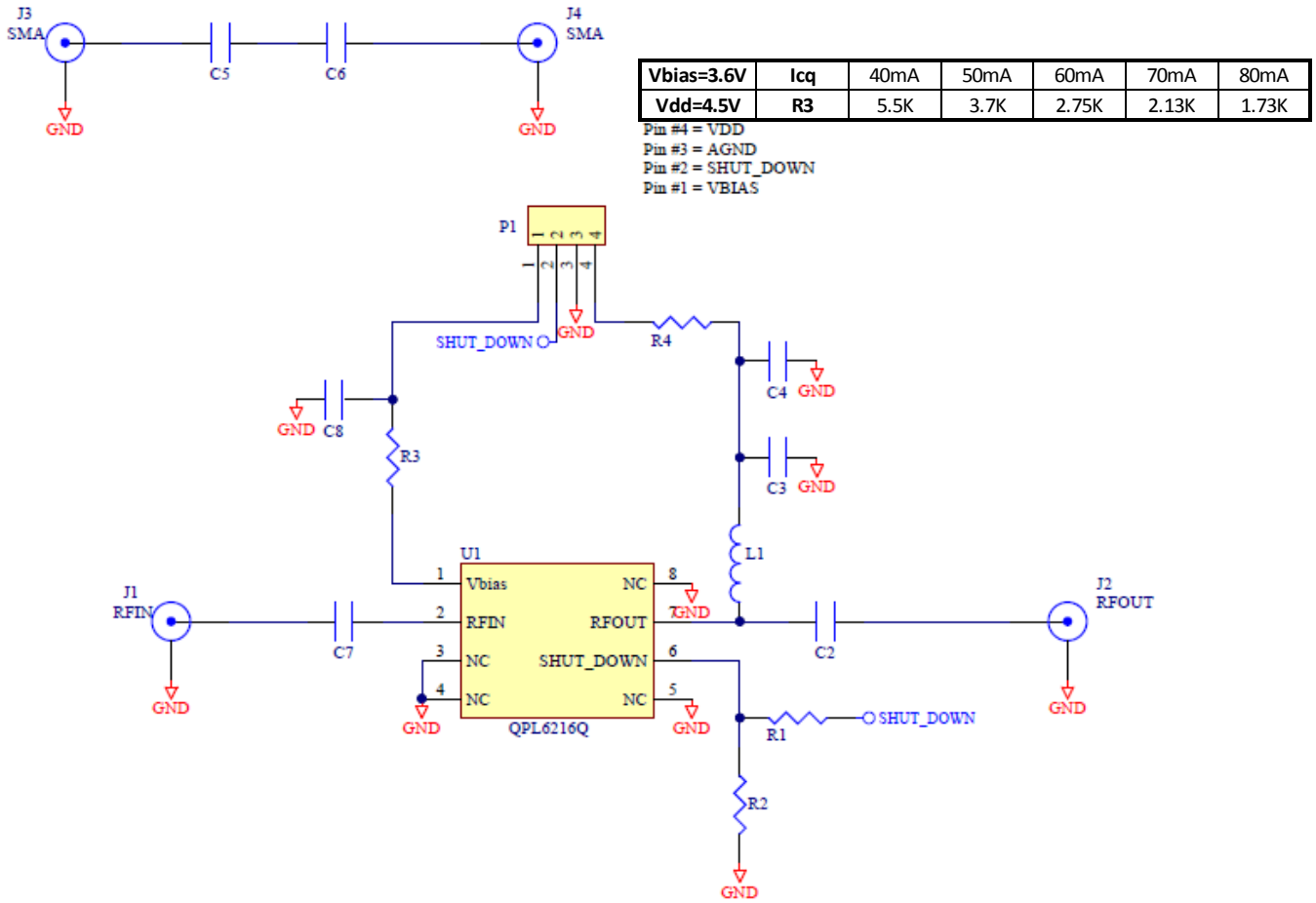
PARAMETER	CONDITIONS	MIN	TYP	MAX	UNITS
Operational Frequency Range		2320	2332	2345	MHz
Test Frequency			2330		MHz
Gain		14.3	15.1	15.6	dB
Input Return Loss			9		dB
Output Return Loss			15		dB
Output P1dB		+18.0	+22.5		dBm
Output IP3	Pout=+2 dBm/tone, Δf=1 MHz	+30	+36		dBm
Noise Figure <sup>1</sup>			0.45	0.65	dB
Power Shutdown Control (Pin 6)	On state	0		0.63	V
	Off state (Power down)	1.17	1.8	$V_{DD}$	V
Current, $I_{DD}^2$	On state	45	60	75	mA
	Off state (Power down)		3	5	mA
Shutdown pin current, ISD	VPD ≥ 1.17 V		140		μA
Thermal Resistance, $\theta_{jc}$	channel to case		62		°C/W

Test conditions unless otherwise noted:  $V_{DD} = +4.5V$ ,  $V_{bias} = +3.6V$ , Temp = +25°C, 50 Ω system

Note: 1) Noise Figure data has input trace loss de-embedded

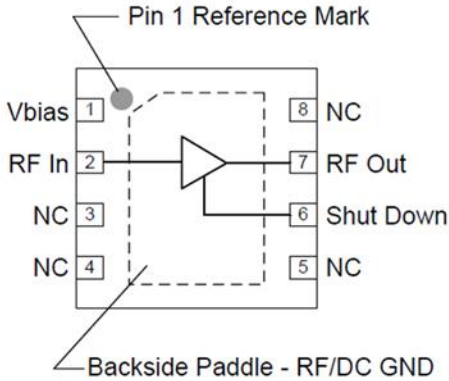
2)  $I_{cq}$  set by external 2.75K resistor

### Application Schematic



Qty	Ref Des	Description
1		High Linearity, SDARs LNA
1		PCB, QPL6216Q
4	"C2, C5, C6, C7"	CAP, 100pF, 5%, 50V, C0G, 0402
1	C3	CAP, 1000pF, 10%, 50V, X7R, 0402
1	C4	CAP, 1uF, 10%, 6.3V, X7R, 0402
1	R1	RES, 0 OHM, 5%, 1/10W, 0402
1	R4	RES, 3.3 OHM, 5%, 1/16W, 0402
1	R3	RES, 2.7K, 5%, 1/16W, 0402
1	R2	RES, 20K, 5%, 1/16W, 0402
1	L1	IND, 18nH, 5%, M/L, 0402
4	J1,J2,J3,J4	862000-422 CONN .062 RF SMA F STRT FLANG
1	P1	CONN, HDR, ST, PLRZD, 4-PIN, 0.100"

## Pin Configuration and Description

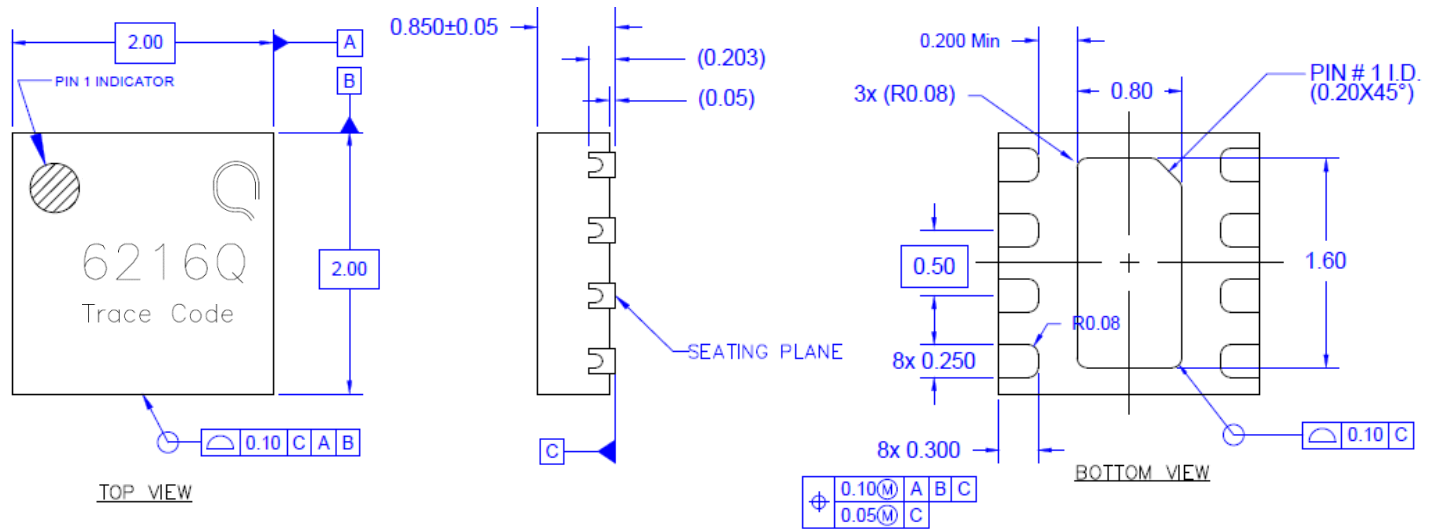


Pin No.	Label	Description
1	Vbias	Sets the Icq bias point for the device.
2	RF In	RF Input pin. A DC Block is required.
6	Shut Down	A high voltage (>1.17V) turns off the device. If the pin is pulled to ground or driven with a voltage less than 0.63V, then the device will operate under LNA ON state.
7	RF Out / DCBias	RF Output pin. DC bias will also need to be injected through a RF bias choke/inductor for operation.
3, 4, 5, 8	NC	No electrical connection. Provide grounded land pads for PCB mounting integrity.
Backside Paddle	RF/DC GND	RF/DC ground. Use recommended via pattern to minimize inductance and thermal resistance; see PCB Mounting Pattern for suggested footprint.

### Mechanical Information

Marking: Part number – 6216Q

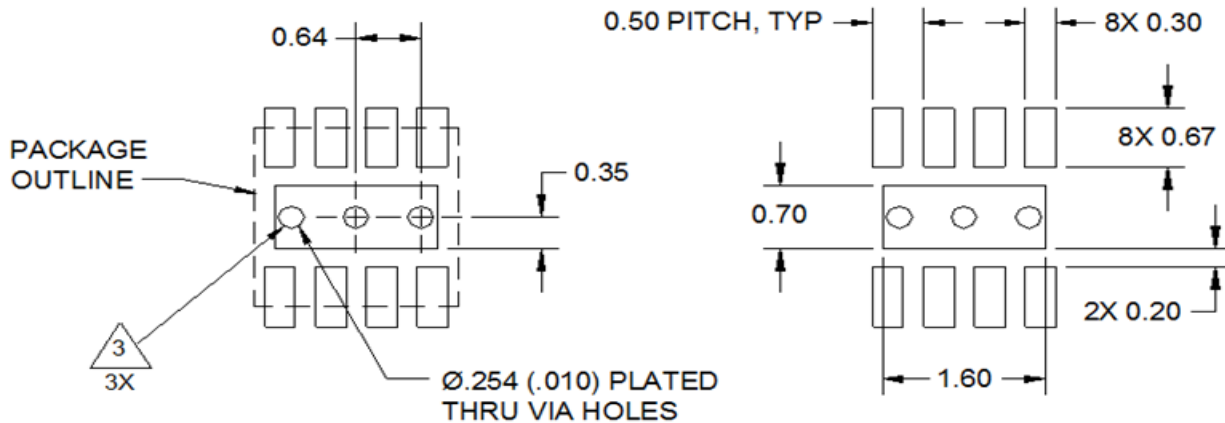
Trace Code – XXXX



#### NOTES:

1. All dimensions are in millimeters. Angles are in degrees.
2. Except where noted, this part outline conforms to JEDEC standard MO-220, Issue E (Variation VGGC) for thermally enhanced plastic very thin fine pitch quad flat no lead package (QFN).
3. Dimension and tolerance formats conform to ASME Y14.4M-1994.
4. The terminal #1 identifier and terminal numbering conform to JESD 95-1 SPP-012.

### PCB Mounting Pattern



#### NOTES:

1. All dimensions are in millimeters. Angles are in degrees.
2. Use 1 oz. copper minimum for top and bottom layer metal.
3. Vias are required under the backside paddle of this device for proper RF/DC grounding and thermal dissipation. We recommend a 0.35mm (#80/.0135") diameter bit for drilling via holes and a final plated thru diameter of 0.25 mm (0.10").
4. Ensure good package backside paddle solder attach for reliable operation and best electrical performance.

### Product Compliance Information

---

#### ESD Sensitivity Ratings



Caution! ESD-Sensitive Device

ESD Rating: Class 1B

Value: Passes  $\geq 500$  V to  $< 1000$ V  
Test: Human Body Model (HBM)  
Standard: JEDEC Standard JESD22-A114

ESD Rating: Class C3

Value: Passes  $\geq 1000$  V  
Test: Charged Device Model (CDM)  
Standard: JEDEC Standard JESD22-C101

#### MSL Rating

MSL Rating: Level 1  
Test: 260°C convection reflow  
Standard: JEDEC Standard IPC/JEDEC J-STD-020

#### Solderability

Compatible with both lead-free (260 °C max. reflow temperature) and tin/lead (245 °C max. reflow temperature) soldering processes.

Package contact plating: NiPdAu

This part is compliant with EU 2002/95/EC RoHS directive (Restrictions on the Use of Certain Hazardous Substances in Electrical and Electronic Equipment).

#### RoHS Compliance

This product also has the following attributes:

- Lead Free
- Halogen Free (Chlorine, Bromine)
- Antimony Free
- TBBP-A (C<sub>15</sub>H<sub>12</sub>Br<sub>4</sub>O<sub>2</sub>) Free
- PFOS Free
- SVHC Free

### Contact Information

---

For the latest specifications, additional product information, worldwide sales and distribution locations:

**Tel: 1-844-890-8163**

**Web:** [www.qorvo.com](http://www.qorvo.com)

**Email:** [customer.support@qorvo.com](mailto:customer.support@qorvo.com)

### Important Notice

---

The information contained herein is believed to be reliable; however, Qorvo makes no warranties regarding the information contained herein and assumes no responsibility or liability whatsoever for the use of the information contained herein. All information contained herein is subject to change without notice. Customers should obtain and verify the latest relevant information before placing orders for Qorvo products. The information contained herein or any use of such information does not grant, explicitly or implicitly, to any party any patent rights, licenses, or any other intellectual property rights, whether with regard to such information itself or anything described by such information. **THIS INFORMATION DOES NOT CONSTITUTE A WARRANTY WITH RESPECT TO THE PRODUCTS DESCRIBED HEREIN, AND QORVO HEREBY DISCLAIMS ANY AND ALL WARRANTIES WITH RESPECT TO SUCH PRODUCTS WHETHER EXPRESS OR IMPLIED BY LAW, COURSE OF DEALING, COURSE OF PERFORMANCE, USAGE OF TRADE OR OTHERWISE, INCLUDING THE IMPLIED WARRANTIES OF MERCHANTABILITY AND FITNESS FOR A PARTICULAR PURPOSE.**

Without limiting the generality of the foregoing, Qorvo products are not warranted or authorized for use as critical components in medical, life-saving, or life-sustaining applications, or other applications where a failure would reasonably be expected to cause severe personal injury or death.

Copyright 2016 © Qorvo, Inc. | Qorvo is a registered trademark of Qorvo, Inc.

# Mouser Electronics

Authorized Distributor

Click to View Pricing, Inventory, Delivery & Lifecycle Information:

[Qorvo:](#)

[QPB8857TR13](#)