

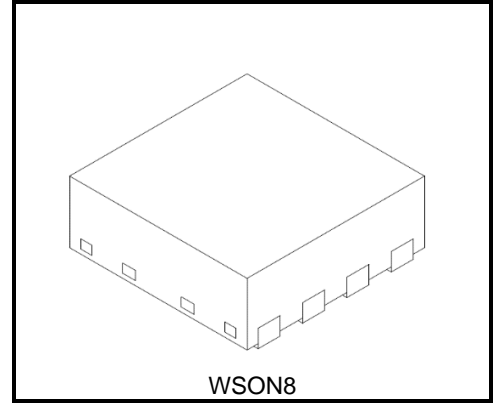
# TCKE9 Series

## 23V, 4A eFuse IC with Adjustable Overcurrent Protection and High Speed Overvoltage clamp.

The TCKE9 series is 23 V high input voltage Single Input-Single Output eFuse ICs. It can be used as a reusable fuse, and includes protection features like adjustable over current limit by an external resistor, short circuit protection, over voltage clamp, adjustable slew rate control by an external capacitance, adjustable under voltage protection by external resistor and thermal shutdown.

Switch ON resistance is only 34 m $\Omega$  (Typ.) and high output current is up to 4.0 A characteristics makes this series is suitable for protecting the power supply circuit of USB VBUS line, storage power supply circuit and battery charging application, etc.

This series is available in 0.5mm pitch small package WSON8 (2.0 mm (Typ.) x 2.0 mm (Typ.), t: 0.8 mm (MAX)). Thus this series is ideal for various applications such as portable electronics that require high-density soldering.



Weight: 7.99 mg (typ.)

## Feature

- High input voltage:  $V_{IN} = 25.0$  V (Max)
- Low ON resistance  $R_{ON}$ : 34 m $\Omega$  (Typ.)
- Adjustable overcurrent limit: 0.5 A to 4.0 A
- Fixed over voltage clamp
  - TCKE903:  $V_{OVC} = 3.87$  V (Typ.)
  - TCKE905:  $V_{OVC} = 5.7$  V (Typ.)
  - TCKE912:  $V_{OVC} = 13.7$  V (Typ.)
  - TCKE920:  $V_{OVC} = 22.2$  V (Typ.)
- Adjustable slew rate control by external capacitance for inrush current reduction
- Adjustable under voltage lockout by external resistor
- Thermal shutdown
- Small package : WSON8 (2.0 mm (Typ.) x 2.0 mm (Typ.), t: 0.8 mm (Max)).
- IEC62368-1 (G9: Integrated circuit (IC) current limiters) Certified (Under planning)

## Notice

**This series is sensitive to electrostatic discharge.**

**Please ensure equipment and tools are adequately earthed when handling.**

Start of commercial production  
2024-03

## 1. Absolute Maximum Ratings (Note) (Ta = 25 °C)

Characteristics	Symbol	Rating		Unit
Input voltage	V <sub>IN</sub>	-0.3 to 25.0		V
ILIM voltage	V <sub>ILIM</sub>	-0.3 to 6.0		V
dV/dT voltage	V <sub>dV/dT</sub>	-0.3 to 6.0		V
Control voltage	V <sub>EN/UVLO</sub>	-0.3 to 25.0		V
Output voltage	V <sub>OUT</sub>	-0.3 to V <sub>IN</sub> + 0.3 or 23 which is smaller		V
Output voltage	V <sub>OUT_PLS</sub>	< 1μs Pulse	-1.2 (Min)	V
FLAG voltage	V <sub>FLAG</sub>	-0.3 to 6.0		V
FLAG sink current	I <sub>FLAG</sub>	0 to 10		mA
Power dissipation	P <sub>D</sub>	2.0 (Note 1)		W
Junction temperature	T <sub>j</sub>	150		°C
Storage temperature	T <sub>stg</sub>	-55 to 150		°C

Note: Note: Using continuously under heavy loads (e.g. the application of high temperature/current/voltage and the significant change in temperature, etc.) may cause this product to decrease in the reliability significantly even if the operating conditions (i.e. operating temperature/current/voltage, etc.) are within the absolute maximum ratings. Please design the appropriate reliability upon reviewing the Toshiba Semiconductor Reliability Handbook (“Handling Precautions”/“Derating Concept and Methods”) and individual reliability data (i.e. reliability test report and estimated failure rate, etc).

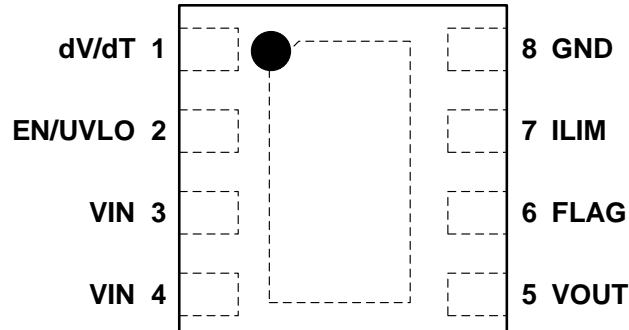
Note 1: Rating at mounting on a board: FR4 board. (76.2 mm × 114.3 mm × 1.6 mm, 4 layer)

## 2. Operating Ranges

Characteristics	Symbol	Ranges		Unit
Input voltage	V <sub>IN</sub>	2.7 to 23		V
Output current	I <sub>OUT</sub>	DC	0 to 4.0	A
ILIM External resistance	R <sub>ILIM</sub>	487 to 5000		Ω
Control voltage	V <sub>EN/UVLO</sub>	0 to 23		V
FLAG voltage voltage	V <sub>FLAG</sub>	0 to 6		V
FLAG sink current	I <sub>FLAG</sub>	0 to 10		mA
Operation junction temperature	T <sub>j_opr</sub>	-40 to 125		°C
External capacitance	C <sub>dV/dT</sub>	3300 to		pF

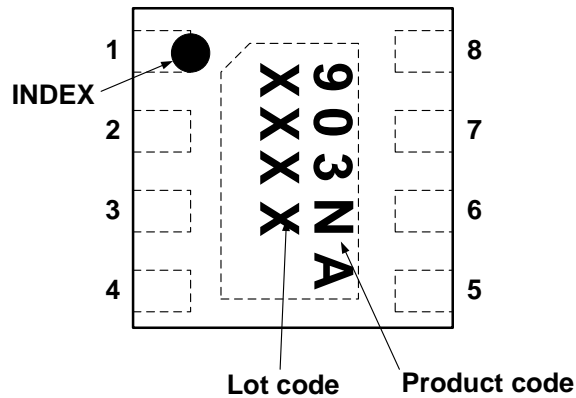
### 3. Pin Assignment (Top view)

WSON8



### 4. Top Marking (Top view)

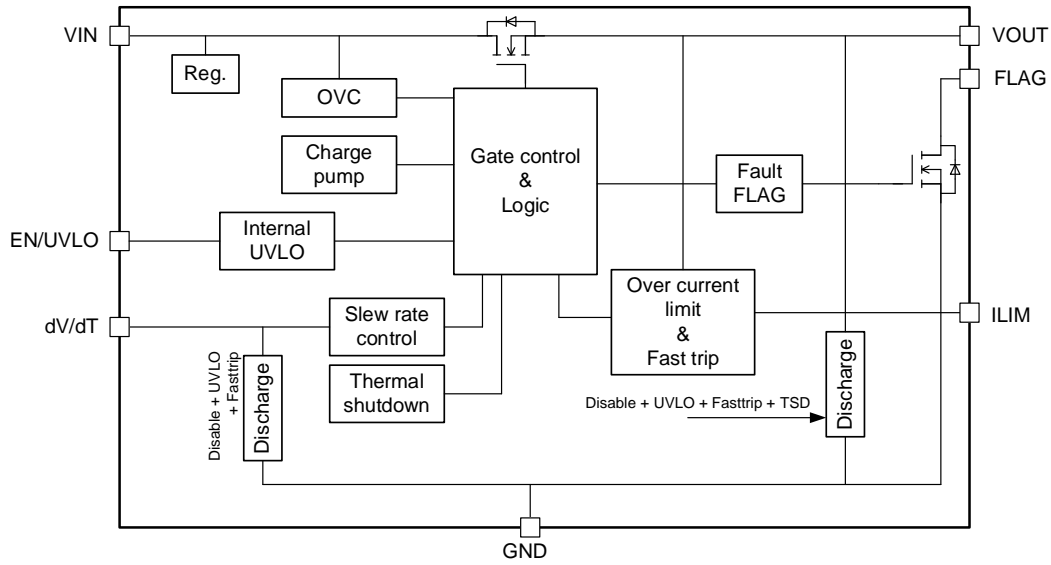
Example: TCKE903NA



#### 4.1. Product list

Part number	Over voltage Clamp	V <sub>EN/UVLO</sub> function	Fault Response	Top Marking	Package
TCKE903NA	3.87 V (Typ.)	Active High	Auto-retry	903NA	WSON8
TCKE903NL	3.87 V (Typ.)	Active High	Latched	903NL	
TCKE905ANA	5.7 V (Typ.)	Active High	Auto-retry	905ANA	
TCKE905NL	5.7 V (Typ.)	Active High	Latched	905NL	
TCKE912NA	13.7 V (Typ.)	Active High	Auto-retry	912NA	
TCKE912NL	13.7 V (Typ.)	Active High	Latched	912NL	
TCKE920NA	22.2 V (Typ.)	Active High	Auto-retry	920NA	
TCKE920NL	22.2 V (Typ.)	Active High	Latched	920NL	

## 5. Block Diagram



## 6. PIN Description

PIN Name	Description
EN/UVLO	This pin has two functions. One function turns on the output voltage of the internal MOSFET as an enable signal. Another function can be used as a UVLO trip point with external resistors.
ILIM	Current limit set input. A resistor between ILIM pin and GND sets the current limit.
dV/dT	Rise time set input. A capacitor between dV/dT pin and GND sets the slew rate of VOUT when the device turns on.
FLAG	FRAG Open-Drain output pin. Fault event indicator which is pulled low when a fault is detected.
VIN	Supply Input. Input to the power switch and the supply voltage for the device.
GND	Ground.
VOUT	Output. Output of the power switch.

## 7. Operation Logic Table

	EN/UVLO = Low level	EN/UVLO = High level
<b>Output</b>	<b>OFF</b>	<b>ON</b>

## 8. Electrical Characteristics

### 8.1. DC Characteristics 1

(Unless otherwise specified,  $T_a = -40$  to  $125$  °C,  $V_{IN} = 3.3$  V (TCKE903),  $V_{IN} = 5$  V (TCKE905),  $V_{IN} = 12$  V (TCKE912),  $V_{IN} = 20$  V (TCKE920),  $R_{LIM} = 487$   $\Omega$ )

Characteristics	Symbol	Test Condition	$T_a = 25$ °C			$T_a = -40$ to $125$ °C (Note2)		Unit	
			Min	Typ.	Max	Min	Max		
<b>Basic operation</b>									
VIN under voltage lockout (UVLO) threshold	VIN_UVLOR1	Rising	—	2.51	—	2.35	2.68	V	
	VIN_UVLOF1	Falling	—	2.41	—	2.25	2.53	V	
EN/UVLO threshold voltage rising	VENUVR	—	—	1.20	—	1.13	1.27	V	
EN/UVLO threshold voltage falling	VENUVF	—	—	1.10	—	1.03	1.17	V	
EN/UVLO leak current	IENUVL	$V_{IN} = 25$ V, $EN = 0$ V	—	0	—	-0.1	0.1	$\mu$ A	
On resistance	RON	$I_{OUT} = 1.5$ A, $V_{IN} \geq 4$ V	—	34	37	—	52	m $\Omega$	
		$I_{OUT} = 1.5$ A, $2.7$ V $\leq V_{IN} < 4$ V	—	36.0	40.0	—	55.3	m $\Omega$	
Quiescent current (ON state)	IQ	$V_{EN} = 3$ V, $R_{LIM} = 487$ $\Omega$ , $I_{OUT} = 0$ A	TCKE903	—	180	—	—	250	$\mu$ A
			TCKE905	—	180	—	—	250	$\mu$ A
			TCKE912	—	185	—	—	250	$\mu$ A
			TCKE920	—	190	—	—	250	$\mu$ A
Quiescent current (OFF state)	IQ(OFF)	$V_{EN} = 0$ V, $V_{IN} \leq 5$ V (Note 3)	—	0.07	—	—	—	$\mu$ A	
		$V_{EN} = 0$ V, $5$ V $< V_{IN} \leq 18$ V	—	1.20	—	—	2.55	$\mu$ A	
		$V_{EN} = 0$ V, $18$ V $< V_{IN} \leq 21$ V TCKE920NA / NL only	—	1.20	—	—	2.55	$\mu$ A	
<b>FLAG</b>									
FLAG pin resistance	RFLAG	Low Level (Note 3)	—	12	—	—	—	$\Omega$	
FLAG Leak current	IFLAG	$V_{FLAG} = 6$ V	—	—	—	—	0.1	$\mu$ A	

Note 2: This parameter is warranted by design.

Note 3: This parameter is reference only.

### 8.2. DC Characteristics 2

(Unless otherwise specified,  $T_a = -40$  to  $125$  °C,  $V_{IN} = 3.3$  V (TCKE903),  $V_{IN} = 5$  V (TCKE905),  $V_{IN} = 12$  V (TCKE912),  $V_{IN} = 20$  V (TCKE920),  $R_{ILIM} = 487$  Ω)

Characteristics	Symbol	Test Condition	$T_a = 25$ °C			$T_a = -40$ to $125$ °C (Note.2)		Unit	
			Min	Typ.	Max	Min	Max		
<b>Over-voltage Protection</b>									
Over-voltage clamp (OVC) Threshold voltage	VOVC	TCKE903	$R_{OUT} = 10$ kΩ	—	3.87	—	3.64	4.1	V
		TCKE905		—	5.7	—	5.4	6.0	V
		TCKE912		—	13.7	—	13.2	14.3	V
		TCKE920		—	22.2	—	21	23.3	V
Output voltage at Over-voltage clamped	VCLAMP	TCKE903	$I_{OUT} = 10$ mA	—	3.6	—	3.45	3.87	V
		TCKE905		—	5.55	—	5.2	5.8	V
		TCKE912		—	13.55	—	13	14.1.	V
		TCKE920		—	22.1	—	21.0	22.8	V
OVC response time (Note 3)	toVC	$I_{OUT} = 4$ A	—	6.0	—	—	—	μs	
		$I_{OUT} = 100$ mA	—	9.0	—	—	—	μs	
<b>Over-current Protection</b>									
Overcurrent limit (Note 4)	$I_{LIM}$ ( $I_{OUT\_CL}$ )	$R_{ILIM} = 487$ Ω	—	4.09	—	3.40	4.68	A	
		$R_{ILIM} = 1780$ Ω	—	1.11	—	0.95	1.36		
		$R_{ILIM} = 4420$ Ω	—	0.49	—	0.33	0.65		
		$R_{ILIM} = 0$ Ω (Note 3)	—	2	—	—	—		
		$R_{ILIM} = OPEN$ (Note 3)	—	0	—	—	—		
Current monitor gain as measured on $I_{LIM}$ pin ( $I_{LIM}/I_{OUT}$ ) (Note5)	GIMON	$I_{OUT} = 4$ A, $V_{IN} \geq 4$ V	—	290	—	255	326	μA/A	
		$I_{OUT} = 4$ A, $2.7$ V $\leq V_{IN} < 4$ V	—	285	—	252	316	μA/A	
		$I_{OUT} = 1$ A, $V_{IN} \geq 4$ V	—	—	—	247	325	μA/A	
		$I_{OUT} = 1$ A, $2.7$ V $\leq V_{IN} < 4$ V	—	—	—	245	320	μA/A	
Fast trip comparator level (Note 3)	ISHORT	—	—	$I_{LIM} \times 1.6$	—	—	—	A	
$I_{LIM}$ pin short resistor detect Threshold (Note 3)	RSHORTLIM	$I_{OUT} > I_{SHORT}$ to $I_{LIM}$	—	100	—	—	—	Ω	
Short circuit response time (Note 3)	tSHORT	$I_{OUT} > I_{LIM} + 20\%$ to $I_{OUT} \leq I_{LIM}$	—	2.0	—	—	—	μs	
Current limit response time (Note 3)	tLIM	$R_{ILIM} = 487$ Ω	—	80	—	—	—	μs	
<b>Thermal shutdown Protection (Note 3)</b>									
Thermal shutdown Threshold	TSD	$T_j$	—	155	—	—	—	°C	
Thermal shutdown Hysteresis	TSDH	$T_j$	—	20	—	—	—	°C	
Thermal shutdown Auto-retry Interval	tTSD.RST	—	—	55	—	—	—	ms	

Note 2: This parameter is warranted by design.

Note 3: This parameter is reference only.

Note 4: Pulsed testing techniques used during this test maintain junction temperature approximately equal to ambient temperature.

Note 5: Without OVC operation.

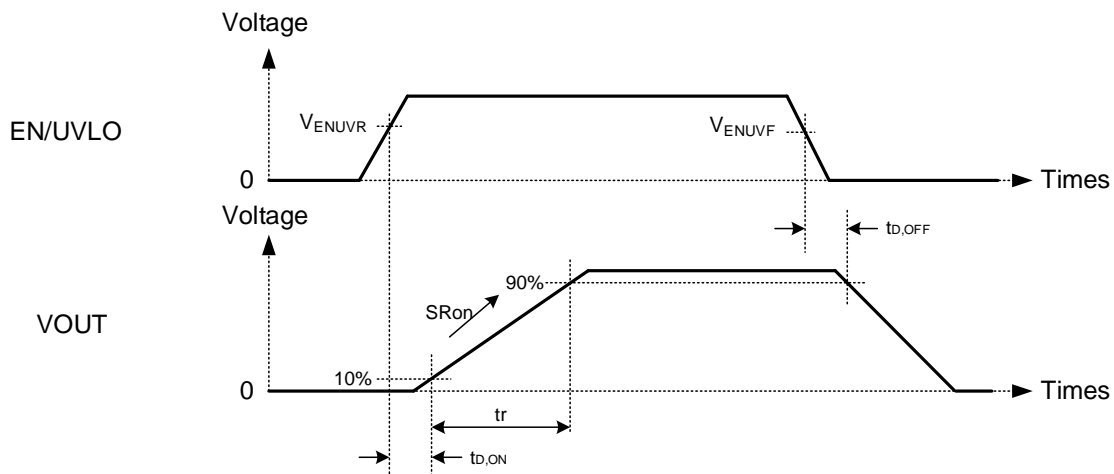
### 8.3. AC Characteristics

(Unless otherwise specified,  $T_a = 25\text{ }^\circ\text{C}$ ,  $R_{LIM} = 487\text{ }\Omega$ ,  $R_{LOAD} = 100\text{ }\Omega$ ,  $C_{IN} = C_{OUT} = 1\text{ }\mu\text{F}$ )

Characteristics	Symbol	Test Condition	Min	Typ.	Max	Unit	
Turn on delay (Note 3)	$t_{D,ON}$	$C_{dV/dT} = \text{OPEN (Note 6)}$	$V_{IN} = 3.3\text{ V}$	—	181	—	$\mu\text{s}$
			$V_{IN} = 5\text{ V}$	—	183	—	$\mu\text{s}$
			$V_{IN} = 12\text{ V}$	—	197	—	$\mu\text{s}$
		$C_{dV/dT} = 3300\text{ pF}$	$V_{IN} = 3.3\text{ V}$	—	240	—	$\mu\text{s}$
			$V_{IN} = 5\text{ V}$	—	250	—	$\mu\text{s}$
			$V_{IN} = 12\text{ V}$	—	310	—	$\mu\text{s}$
Turn off delay (Note 3)	$t_{D,OFF}$	$C_{dV/dT} = \text{OPEN (Note 6)}$	$V_{IN} = 3.3\text{ V}$	—	9.0	—	$\mu\text{s}$
			$V_{IN} = 5\text{ V}$	—	8.9	—	$\mu\text{s}$
			$V_{IN} = 12\text{ V}$	—	8.7	—	$\mu\text{s}$
		$C_{dV/dT} = 3300\text{ pF}$	$V_{IN} = 3.3\text{ V}$	—	9.2	—	$\mu\text{s}$
			$V_{IN} = 5\text{ V}$	—	9.0	—	$\mu\text{s}$
			$V_{IN} = 12\text{ V}$	—	8.8	—	$\mu\text{s}$
VO <sub>UT</sub> rise time (Note 3)	$t_r$	$C_{dV/dT} = \text{OPEN (Note 6)}$	$V_{IN} = 3.3\text{ V}$	—	142	—	$\mu\text{s}$
			$V_{IN} = 5\text{ V}$	—	180	—	$\mu\text{s}$
			$V_{IN} = 12\text{ V}$	—	353	—	$\mu\text{s}$
		$C_{dV/dT} = 3300\text{ pF}$	$V_{IN} = 3.3\text{ V}$	—	238	—	$\mu\text{s}$
			$V_{IN} = 5\text{ V}$	—	366	—	$\mu\text{s}$
			$V_{IN} = 12\text{ V}$	—	915	—	$\mu\text{s}$
Output Rising Slew Rate (Note 3)	$SR_{on}$	$C_{dV/dT} = \text{OPEN (Note 6)}$	$V_{IN} = 3.3\text{ V}$	—	18.6	—	V/ms
			$V_{IN} = 5\text{ V}$	—	22.2	—	V/ms
			$V_{IN} = 12\text{ V}$	—	27.1	—	V/ms
		$C_{dV/dT} = 3300\text{ pF}$	$V_{IN} = 3.3\text{ V}$	—	11.0	—	V/ms
			$V_{IN} = 5\text{ V}$	—	11.0	—	V/ms
			$V_{IN} = 12\text{ V}$	—	11.0	—	V/ms

Note 3: This parameter is reference only.

Note 6: If  $C_{dV/dT} = \text{OPEN}$  and there is a load at boot time, booting may not be completed.





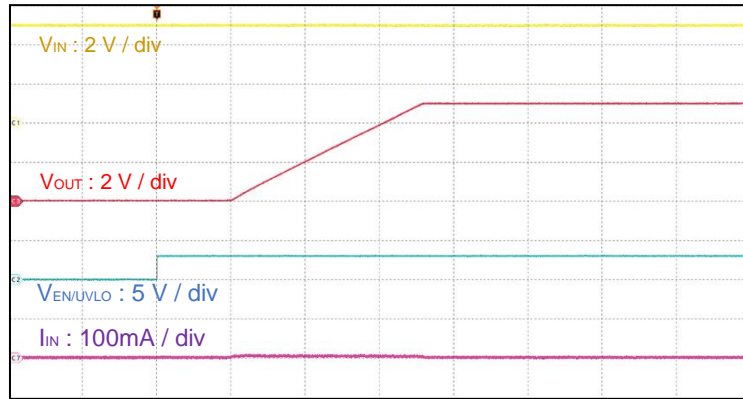
## 9. Function Explanation

### 9.1. Inrush current reduction

When the output is turned on, an inrush current flows to charge the capacitor connected to the load side. If this current is too large, the overcurrent protection circuit may malfunction, making it impossible to start up, or the output voltage may overshoot.

To prevent this, this function controls the slew rate when the output voltage rises by limiting the inrush current.

The following figure shows the rise of the output voltage ( $V_{OUT}$ ) and the inrush current when the inrush current is limited by this function.

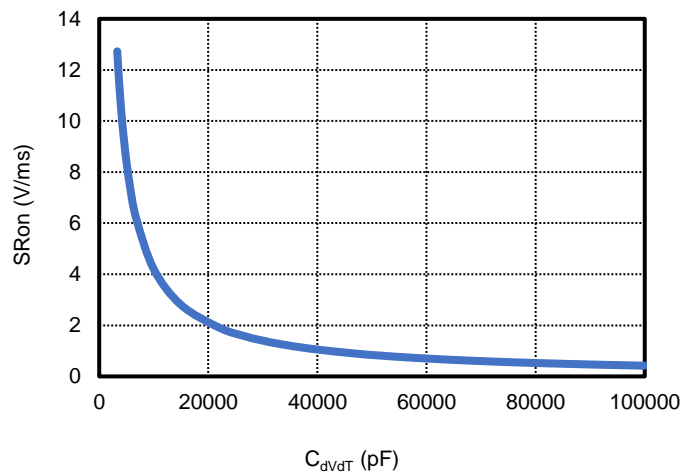
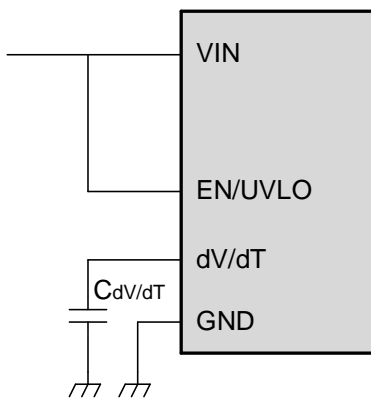


#### 9.1.1. Setting of slew rate control for inrush current reduction

Toshiba eFuse IC has a variable inrush current function. The external capacitor at the  $dV/dT$  pin can be used to appropriately set the rise time Slew rate ( $SR_{on}$ ) of the output voltage. The formula for the rise time is as follows.

$$SR_{on} \left( \frac{V}{ms} \right) = \frac{I_{INRUSH} (mA)}{C_{OUT} (\mu F)}$$

$$C_{dV/dT} (pF) = \frac{42000}{SR_{on} \left( \frac{V}{ms} \right)}$$

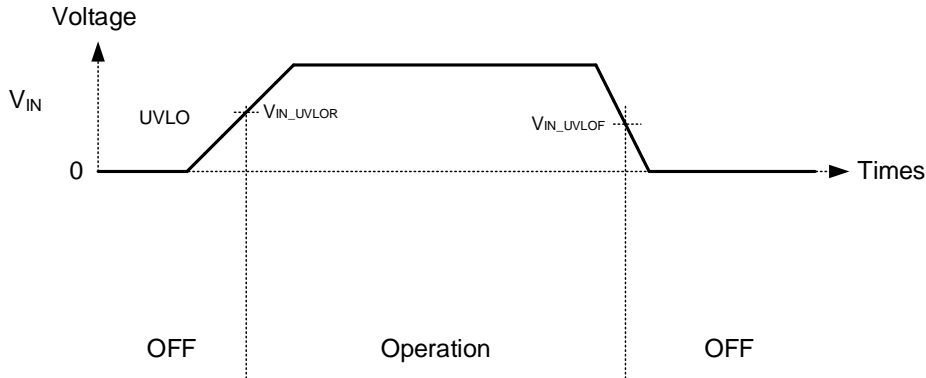


External Circuits around  $dV/dT$  pin

## 9.2. VIN Under voltage lockout function (VIN UVLO)

This function stops eFuse IC operation at low input voltage to prevent load malfunction.

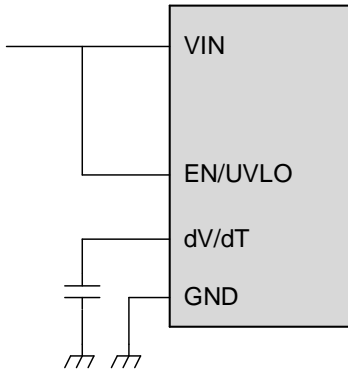
The TCKE9 series starts operation when the input voltage ( $V_{IN}$ ) exceeds a certain voltage. This voltage has hysteresis at the rising and falling voltages, and operation stops when the voltage drops below a certain level.



## 9.3. EN/UVLO Operation

The TCKE9 series is equipped with EN/UVLO pin, and this pin can be used to control the operation of the whole eFuse IC. It is also possible to set the operating voltage of the UVLO function to the optimum value by externally attaching a resistor. The following are examples of uses for this pin.

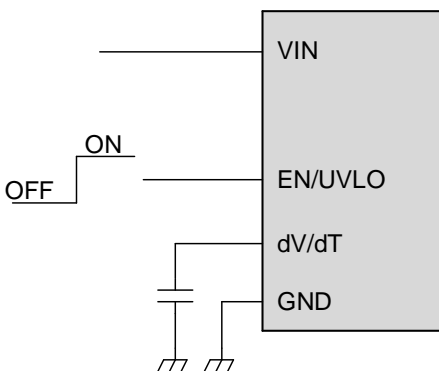
### 9.3.1. When the operation voltage of the UVLO function is not changed or the operation control is not performed.



Connect the EN/UVLO pin directly to the VIN pin. This eliminates the need for pull-up resistors in the TCKE9 series. The EN/UVLO pin is designed to be breakdown-voltage 25 V, and the VIN pin and the EN/UVLO pin can be directly connected. This helps reduce the number of parts.

Connections of EN/UVLO pin (Direct VIN connection)

### 9.3.2. When the operation voltage of the UVLO function is not changed and the operation control is performed from the outside.

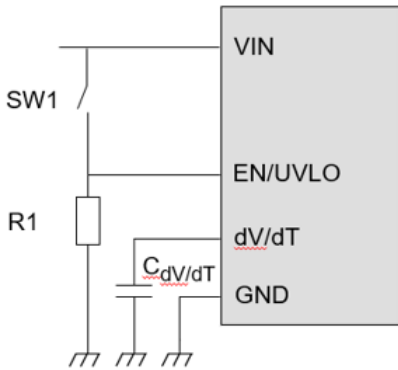


Connect external control signals directly into the EN/UVLO pin. Since the on/off threshold voltages of the EN/UVLO pin s are hysteretic, set the High level of the control signal to be 1.2 V (Typ.) or higher and the Low level of the control signal to be 1.1 V (Typ.) or lower.

If the EN/UVLO pin is open (indefinite), the eFuse IC operation may become abnormal. Be careful not to open this pin even when it is at the Low level.

Connections of EN/UVLO pin (External control signals)

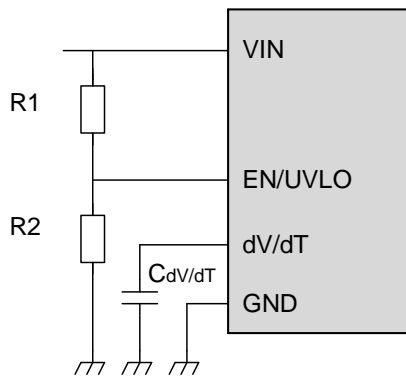
### 9.3.3. When the operation voltage of the UVLO function is not changed and the operation is controlled by the short-circuit switch with the VIN pin



Switches can be directly connected to the VIN pin so that the operation can be controlled. A pull-down resistor is required to prevent the EN/UVLO pin from being opened when the SW1 is opened. The value of the pull-down resistor may be any value that does not cause the EN/UVLO pin to become indefinite. However, when the SW1 is conducting, consider the current flowing through R1, and check the value with the actual device to determine the value of the pull-down resistor.

Connection examples of EN/UVLO pin (connected by VIN and switches)

### 9.3.4. To change the operating voltage of the UVLO function



By adding an external resistor to the EN/UVLO pin, the operating voltage of the UVLO function can be changed to an optimum value. An example of the circuit is shown in the figure below.

a) When operation is not controlled by the EN/UVLO pin

Operation is stopped when the input voltage drops by controlling the operation of the EN/UVLO pin with the voltage obtained by dividing the input voltage by an external resistor. The operating voltage of the UVLO function can be set to the optimum value by properly selecting the external resistance. However, the VIN voltage cannot be set to VIN UVLO threshold or less.

The equation for setting  $V_{IN/UVLO(fall)}$  by controlling the external resistors R1 and R2 of the EN/UVLO pin is as follows.

$$V_{IN/UVLO(fall)} (V) = \frac{R1+R2}{R2} \times V_{EN/UVLOF} (V)$$

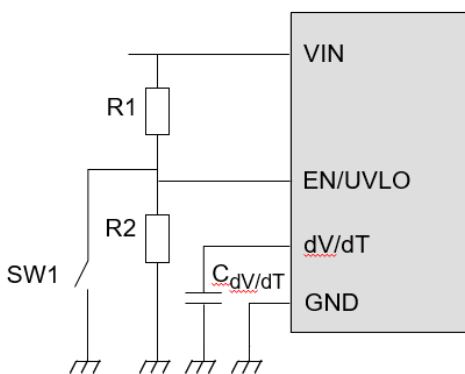
$V_{EN/UVF}$ : EN threshold (falling) 1.1 V (Typ.)

a) When operation is not controlled

As described above, the control voltage of the EN/UVLO pin is hysteretic, and therefore the voltage to be activated at the time of rising changes. The start-up voltage  $V_{IN/UVLO(rise)}$  is calculated by the following equation

$$V_{IN/UVLO(rise)} (V) = \frac{R1+R2}{R2} \times V_{EN/UVLOR} (V)$$

$V_{EN/UVR}$ : EN threshold (rising) 1.2 V (Typ.)



b) The circuit when the operation control is performed.

The switch can be connected in parallel with R2 to control the operation. contrary to the case of 9.3.3, the eFuse IC stops operating at the time of SW1 conduction. At this point, R1 is the current limiting resistor. Be careful when selecting the resistors for R1 and R2.

b) When operation is controlled

## 9.4. FLAG Output

The TCKE9 series outputs L signal to FLAG pin in case of detecting abnormal conditions.

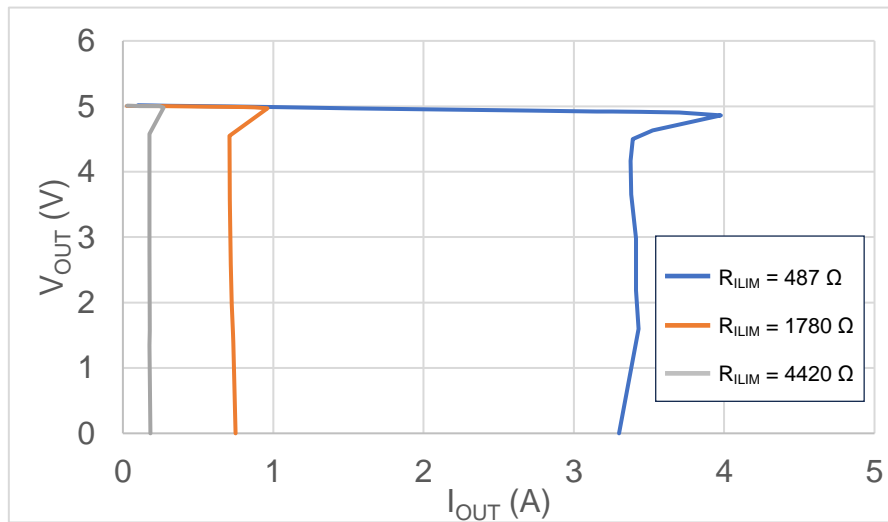
Failure mode	Symbol	IC Operation	FLAG output
Over temperature	TSD	Shutdown	Yes
V <sub>IN</sub> Over voltage	OVC	V <sub>OUT</sub> voltage clamp	—
V <sub>IN</sub> Under voltage	UVLO	Shutdown	—
I <sub>OUT</sub> Over current	OCL	I <sub>OUT</sub> current limiting	—
V <sub>OUT</sub> Short circuit	OCL	I <sub>OUT</sub> current limiting	—
ILM pin open	—	Shutdown	—
ILM pin short (I <sub>OUT</sub> > 2 A Typ.)	—	Shutdown	Yes

If a large current continues in the OVC state or if the OCL state continues, the junction temperature of the IC will rise. If the junction temperature rises and TSD is detected, it shuts down and outputs FLAG.

## 9.5. Overcurrent limit function (OCL)

The overcurrent limit function prevents damage to the IC and load by suppressing power consumption in the event of an error. If the output current exceeds the limit current (I<sub>LIM</sub>) due to a load error or short circuit, the output voltage and output current also decrease, thereby limiting the power consumed by the IC and the load. In addition to the short-circuit protection function, which will be described later, it is double-protected against overcurrent, which greatly contributes to the prevention of ignition and smoke.

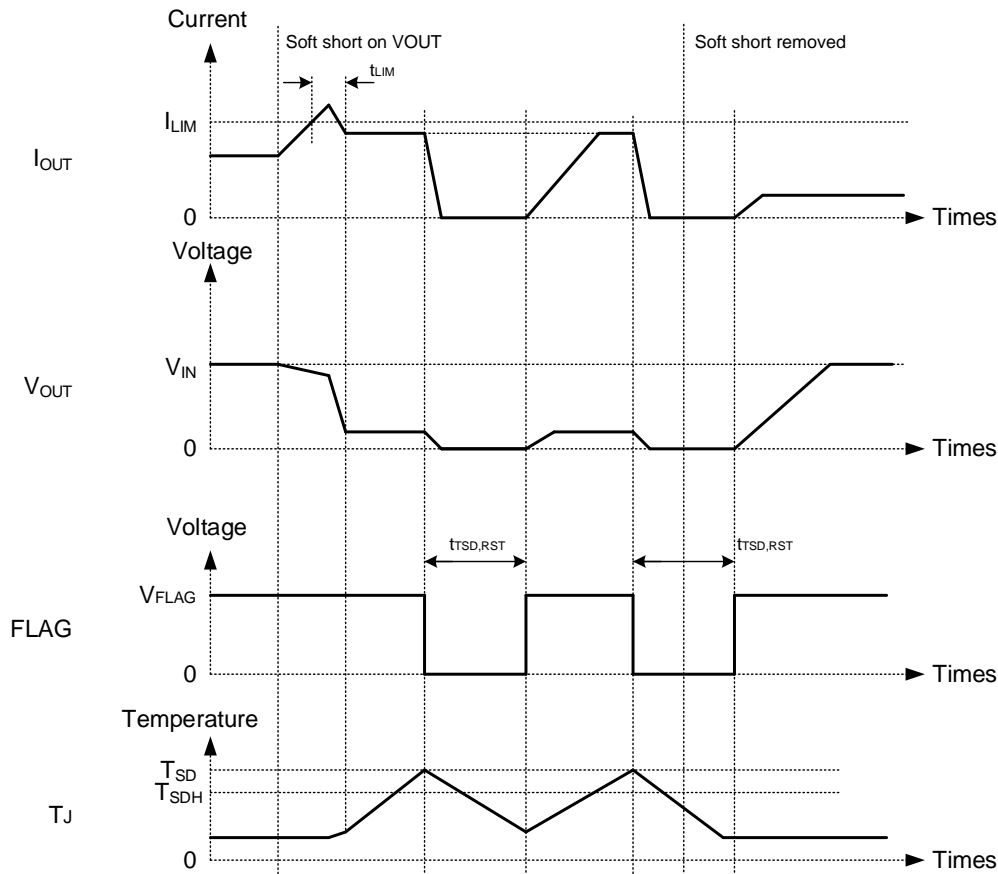
The figure below shows the relationship between output voltage and current during overcurrent limit function.



Output voltage – output current Characteristics during Overcurrent limit function

## 9.5.1. Auto-retry type overcurrent protection clamping operation

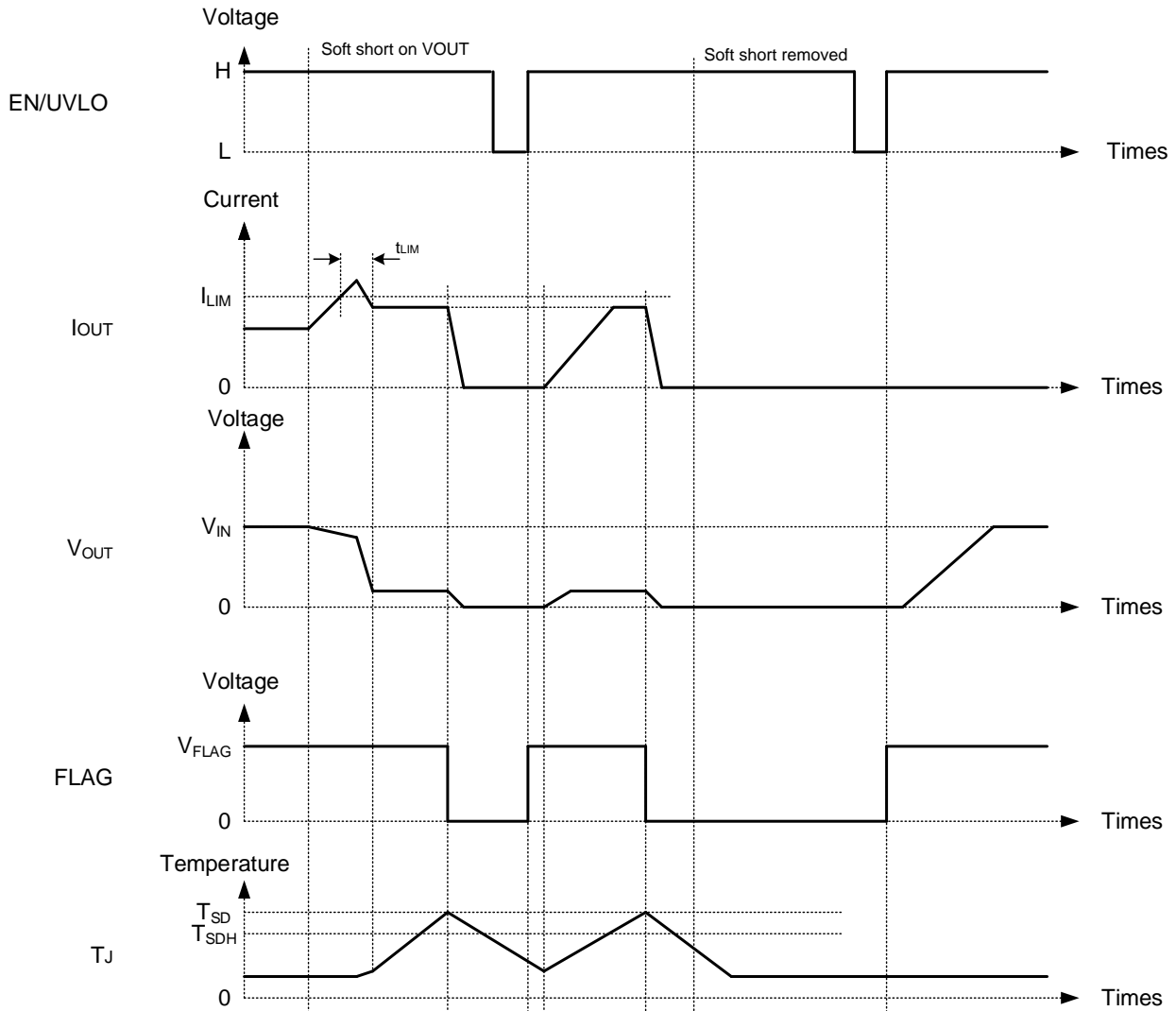
When the output current value reaches the  $I_{LIM}$  and an overcurrent is detected, the current is limited so that no more current flows than the  $I_{LIM}$ . Currently, the output voltage decreases according to the relationship between output voltage and current. If the overcurrent is not resolved at this stage, the IC temperature rises, and if the temperature reaches the temperature for overheat protection, the output stops and the IC goes into shutdown state. After a certain term, operation starts again, but if the overcurrent has not been resolved, the current is again limited. Therefore, the recovery attempt is repeated by the following cycle.  
 Current limit → temperature rise → overheat protection → shutdown → temperature drop → restart → current limit



Timing chart of overcurrent protection operation (auto-retry type)

## 9.5.2. Latch type overcurrent protection clamping operation

In case of latch type, overheat protection operation is latched. To recover it, it must be restarted by a control signal on the EN/UVLO pin, etc. The protection operation continues until it is restarted.



Timing chart of overcurrent protection operation (latch type)

### 9.5.3. Setting the overcurrent protection function

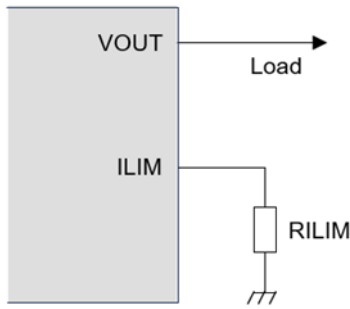
Toshiba eFuse IC has a variable current limit. By selecting the external resistor  $R_{ILIM}$  of the ILIM pin appropriately, the current limit can be set to the optimum value for each application. The  $I_{LIM}$  calculation method is common to the TCKE9 series and is shown in the figure below. However, the deviation between the theoretical value and the measured value is large when the current is 1 A or lower. Be sure to check the resistance value with the actual machine when selecting the resistance value.

Also, please make sure that  $R_{ILIM}$  does not fall below 487  $\Omega$ .

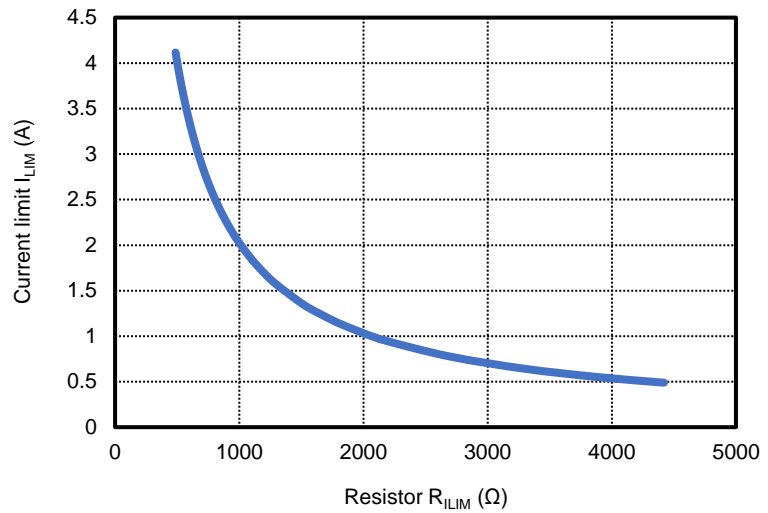
$$R_{ILIM}(\Omega) = \frac{1985}{I_{LIM}(A)-0.04}$$

$R_{ILIM}$  : ILIM pin external resistor ( $\Omega$ )

The following is a diagram of the peripheral circuitry of the ILIM pin and the relation between  $R_{ILIM}$  and  $I_{LIM}$ .



ILIM pin External Circuits



$R_{ILIM}$  -  $I_{LIM}$  Characteristics

### 9.5.4. $R_{ILIM}$ pin open protection

When the ILIM pin is open, even if EN = High level is input, the device is VOUT keeps OFF.

### 9.5.5. $R_{ILIM}$ Resistor short circuit protection

If the ILIM pin voltage does not rise for a certain term from EN = High level, the IC judges that the ILIM pin is shorted to GND and shifts to the internally set current limit operation state. The internal set current limit is 2A (Typ.).

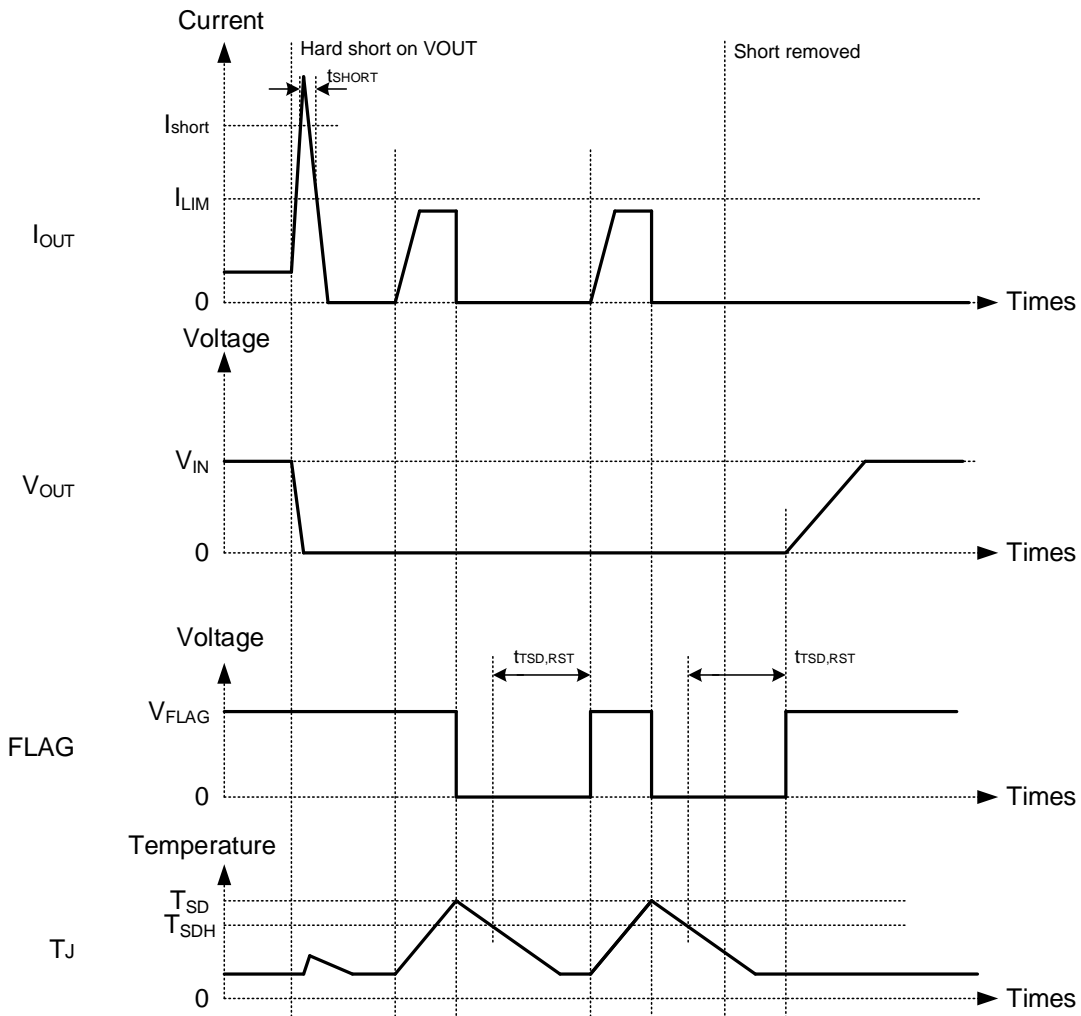
**9.6. VOUT Short circuit protection (Fast trip)**

The short-circuit protection function (fast trip) prevents excessive current from flowing by stopping operation when the power supply line or load is short-circuited due to some kind of abnormality. If the output current is 1.6 times the current limit ( $I_{LIM}$ ) for a very short term, the output is judged to be short-circuited and this function operates.

**9.6.1. Auto-retry type VOUT short-circuit protection**

This function judges that VOUT is short-circuited and stops the output when the output current reaches 1.6 times the overcurrent limit current ( $I_{LIM}$ ). The IC then starts operating with soft-start operation, but if the short-circuit continues, the IC temperature rises because the over-current limit current (OCL) operation continues. After that, the overheat protection function operates and the IC goes into shutdown state. After a certain term, the IC starts operating again, but if the VOUT short circuit has not been resolved, the current is limited again. Therefore, the recovery attempt is repeated by the following cycle.

Current limit → temperature rise → overheat protection → shutdown → temperature drop → restart → current limit

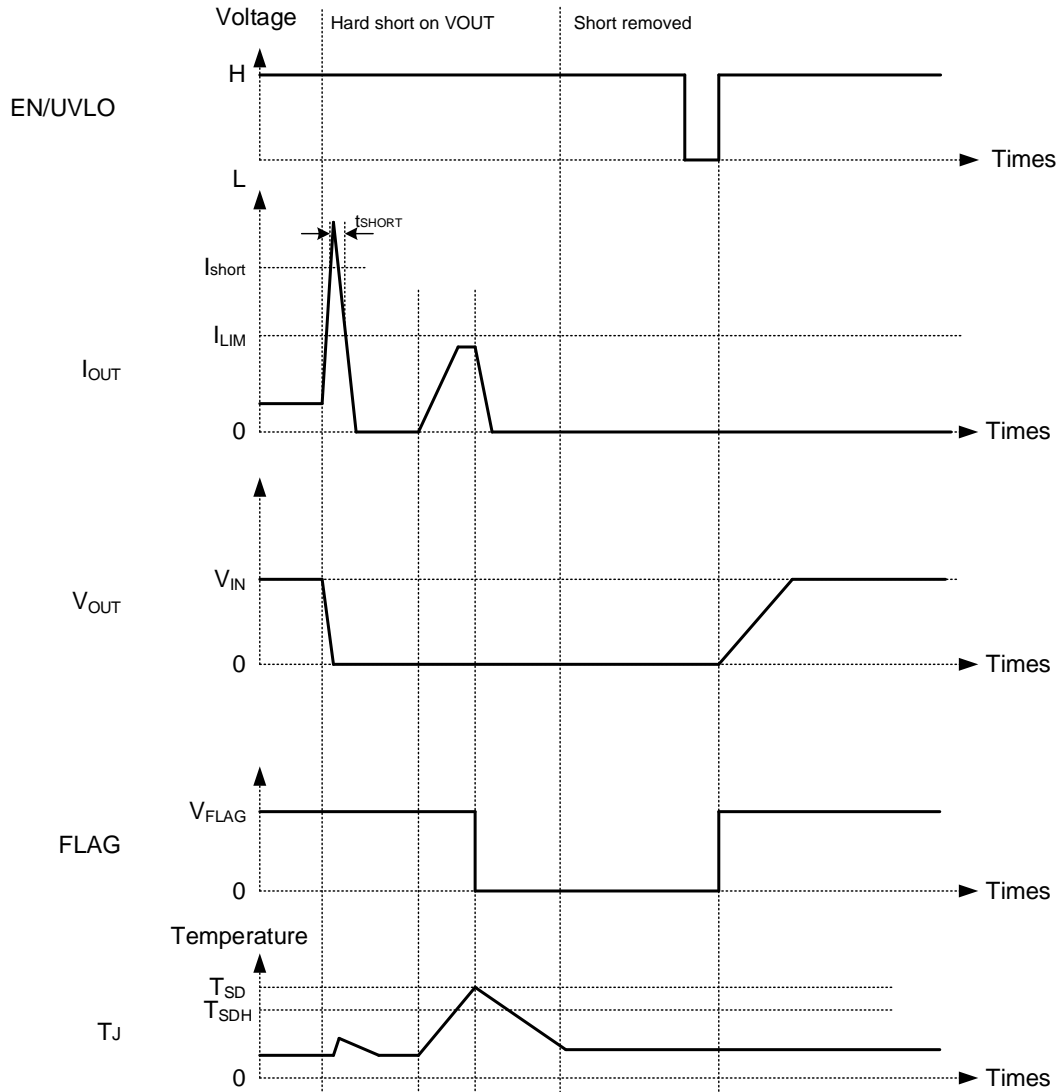


Timing chart of VOUT Short circuit protection (auto-retry type)



## 9.6.2. Latch type VOUT short-circuit protection

This function judges that VOUT pin is short-circuited and stops output when the output current reaches 1.6 times the overcurrent limit current ( $I_{LIM}$ ). The IC then starts operating with soft-start operation, but if the short-circuit continues, the IC temperature rises as the operation continues at the overcurrent limit current (OCL). After that, the overheat protection function operates and the IC goes into shutdown state. To recover it, it must be restarted by a control signal on the EN/UVLO pin, etc. The protection operation continues until it is restarted.



Timing chart of VOUT Short circuit protection (latch type)

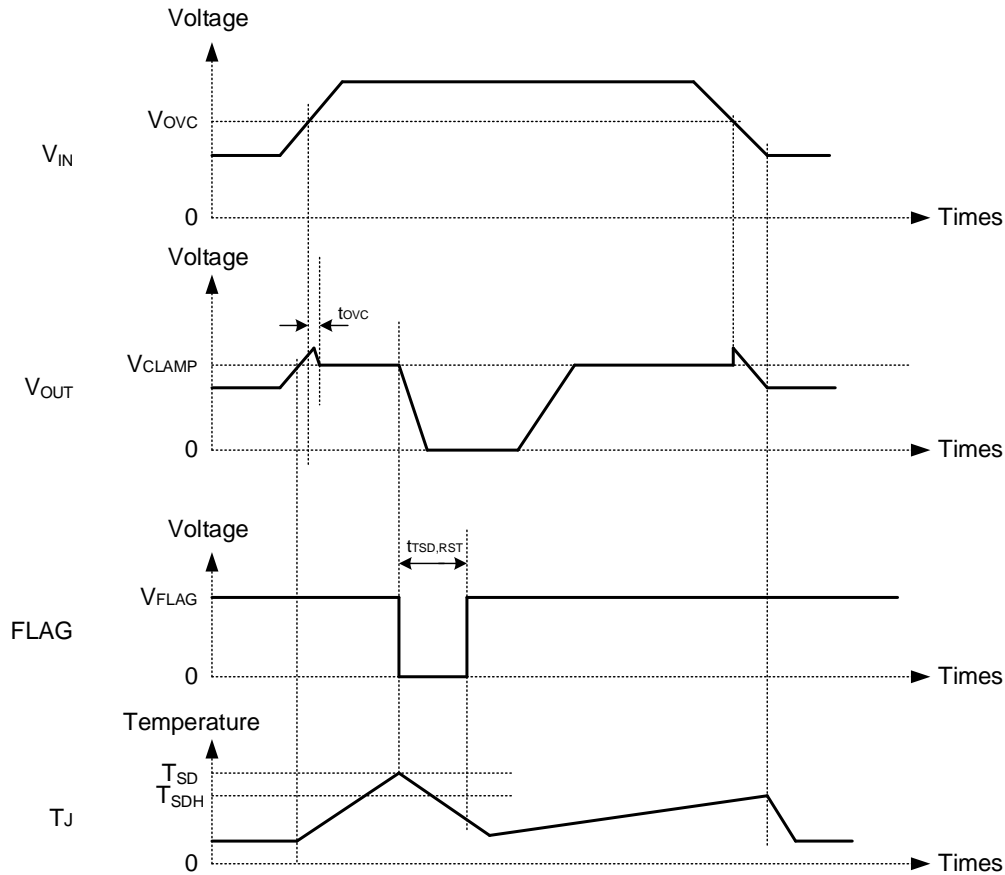
## 9.7. Overvoltage clamp protection function (OVC)

The overvoltage clamp function clamps the output voltage with a limited voltage and prevents overvoltage from being applied to the load without outputting any more voltage. The limit voltages are set as following table.

Characteristics	Symbol	Test Condition	Ta = 25°C			Ta = -40 to 125°C (Note2)		Unit	
			Min	Typ.	Max	Min	Max		
<b>Over-voltage Protection</b>									
Over-voltage clamp (OVC) Threshold voltage	V <sub>OVC</sub>	TCKE903	R <sub>OUT</sub> = 10 kΩ	—	3.87	—	3.64	4.1	V
		TCKE905		—	5.7	—	5.4	6.0	V
		TCKE912		—	13.7	—	13.2	14.3	V
		TCKE920		—	22.2	—	21	23.3	V
Over-voltage clamp (OVC) Accuracy	V <sub>CLAMP</sub>	TCKE903	I <sub>OUT</sub> = 10 mA	—	3.6	—	3.45	3.87	V
		TCKE905		—	5.55	—	5.2	5.8	V
		TCKE912		—	13.55	—	13	14.1	V
		TCKE920		—	22.1	—	21.0	22.8	V
OVC response time	t <sub>OVC</sub>	I <sub>OUT</sub> = 4 A	—	6.0	—	—	—	μs	
		I <sub>OUT</sub> = 100 mA	—	9.0	—	—	—	μs	

Note 2: This parameter is warranted by design.

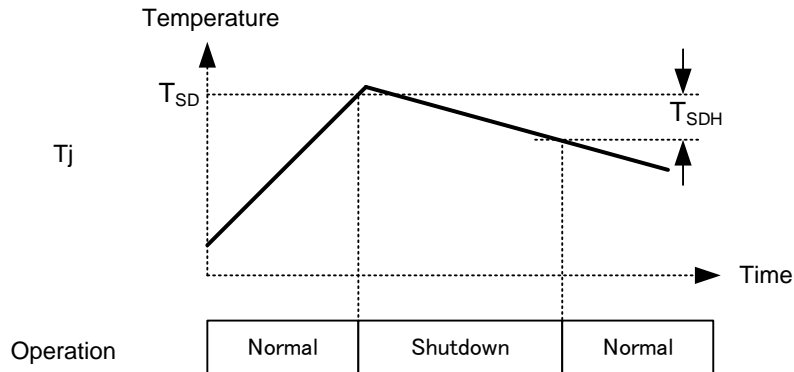
Similar to the overcurrent protection and short-circuit protection, the auto-retry type will attempt to recover from the overvoltage clamp, but the latch type will retain this state until it is restarted.



Timing chart of overvoltage clamp protection operation (auto-retry type)

## 9.8. Thermal shutdown protection

The overheat protection function (thermal shutdown) stops IC operation and transitions to the shutdown state when the junction temperature of the eFuse IC exceeds the set value due to continuous high current output. The thermal shutdown protection has hysteresis between detect temperature and recover temperature.



### 9.8.1. Auto-retry type Thermal shutdown

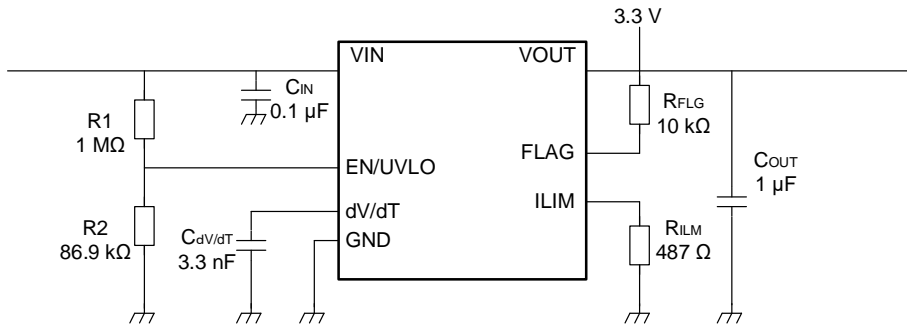
After going into a shutdown state due to overheat protection, the unit restarts after a certain term.

### 9.8.2. Latch type Thermal shutdown

After the overheat protection function is operated and the device goes into a shutdown state, it must be restarted by a control signal on the EN/UVLO pin, etc. to recover. The protection operation continues until restarted.

## 10. Application note

### 10.1. Application circuit example



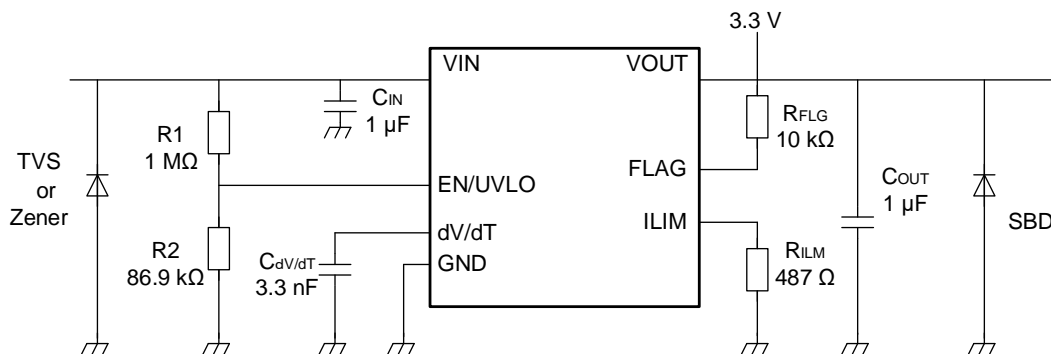
Peripheral circuits Connect the power supply to the VIN pin. During normal operation, almost the same voltage as the VIN voltage is output from the VOUT pin through the internal MOSFET. If the current suddenly decreases, for example, when short-circuiting or overcurrent is protected, high-spike voltages may be generated due to back electromotive force of inductance components such as wirings connected to the input/output pins of the eFuse IC, causing damage to the eFuse IC and resulting destruction. In this case, a positive spike voltage is generated on the input side and a negative spike voltage is generated on the output side. When designing boards, design patterns so that the length of the wires on the input-side and output-side of the eFuse IC is as short as possible. Also, the GND wiring area should be as wide as possible to reduce the impedance. C<sub>IN</sub> functions to suppress the peak value against the positive spike voltage generated by the inputs. The peak value V<sub>SPIKE</sub> of the spike voltage and the capacitance value of the C<sub>IN</sub> have the following relationship. It can be understood that the spike voltage can be reduced by increasing the C<sub>IN</sub>.

$$V_{\text{SPIKE}} \text{ (V)} = V_{\text{IN}} + I_{\text{OUT}} \times \sqrt{\frac{L_{\text{IN}}}{C_{\text{IN}}}}$$

- L<sub>IN</sub> : effective inductance component of the input pin (H), I<sub>OUT</sub> : output current (A)
- V<sub>SPIKE</sub> : peak value of spiked voltage generated (V),
- V<sub>IN</sub> : power supply voltage during normal operation (V)

If V<sub>IN</sub> exceeds 10 V, C<sub>IN</sub> is recommended to be 1 μF or more. Be sure to measure it on the actual PCB board. If the V<sub>IN</sub> voltage is high, the V<sub>OUT</sub> voltage is also high, and the current change during short-circuit or overcurrent protection is large, causing unstable operation without stable V<sub>IN</sub> and V<sub>OUT</sub> and possibly leading to IC destruction. If transient voltages exceeding the absolute maximum ratings are applied to the VIN pin, connect a TVS diode (ESD protection diode) or a Zener diode between the input pins and GND. For negative spike voltages generated on the output side, such as during short-circuit protection operation, connect an SBD (Schottky barrier diode) between the output pin and GND. This will prevent the output potential from dropping significantly below GND. SBD is effective not only for protecting eFuse ICs, but also for protecting ICs and devices connected to the load side.

As noted above, TVS diode(Zener diode) and SBD are recommended for eFuse IC because they can provide more robust protective features. The diagram below shows the peripheral circuit diagram.



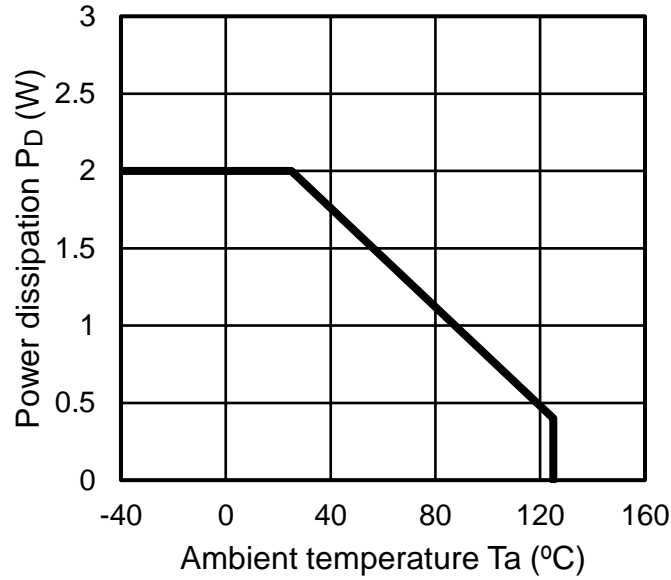
## 10.2. Power Dissipation

Both unit and board-mounted power dissipation ratings for TCKE9 series are available in the Absolute Maximum Ratings table.

Power dissipation is measured on the board shown below.

[ The Board conditions ]

FR4 board dimension: 76.2 mm × 114.3 mm × 1.6 mm, 4 layer

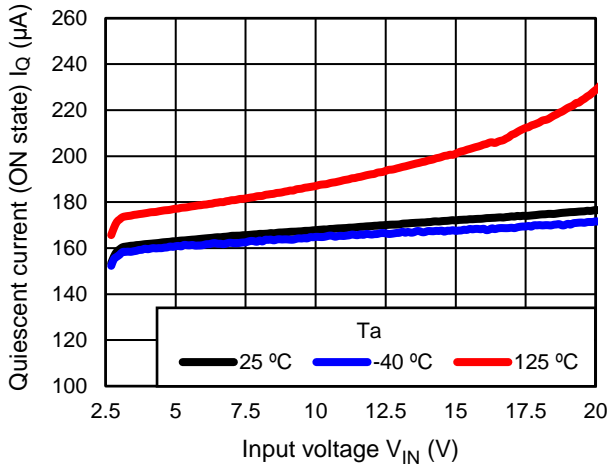


## 10.3. Attention in Use

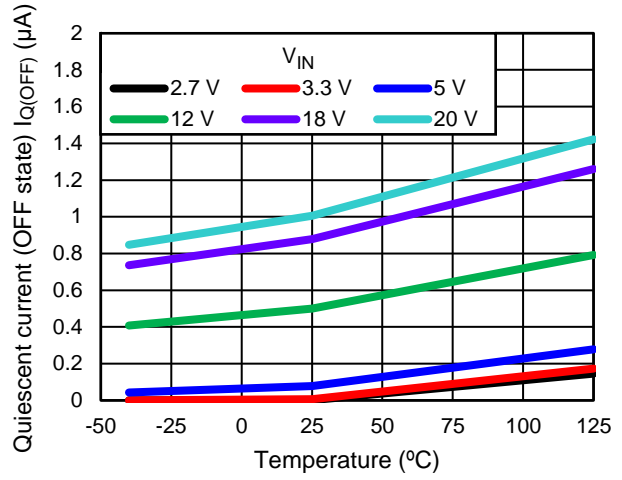
- **Input/Output capacitors**  
Ceramic capacitors can be used with the IC, however some type capacitors may have very large temperature dependence. Please consider usage environment condition carefully to select the capacitors.
- **Mounting**  
The long distance between IC and output capacitor might affect phase assurance by impedance in wire and inductor. For stable power supply, output capacitor need to mount near IC as much as possible. Also VIN and GND pattern need to be large and make the wire impedance small as possible.
- **Permissible Loss**  
Please have enough design patterns for expected maximum permissible loss. And under consideration of surrounding temperature, input voltage, and output current etc., we recommend proper dissipation ratings for maximum permissible loss; in general maximum dissipation rating is 70 to 80 %.
- **Protection circuit**  
Over current protection, Over voltage protection and Thermal shut down function are designed in these products, but these are not designed to constantly ensure the suppression of the device within operation limits. Depending on the condition during actual usage, it could affect the electrical characteristic specification and reliability. Also note that if output pin pins and GND pin s are not completely shorted out, these products might be break down.  
When using these products, please read through and understand the concept of dissipation for absolute maximum ratings from the above mention or our 'Semiconductor Reliability Handbook'. Then use these products under absolute maximum ratings in any condition. Furthermore, Toshiba recommend inserting failsafe system into the design.

## 11. Representative characteristics (Note)

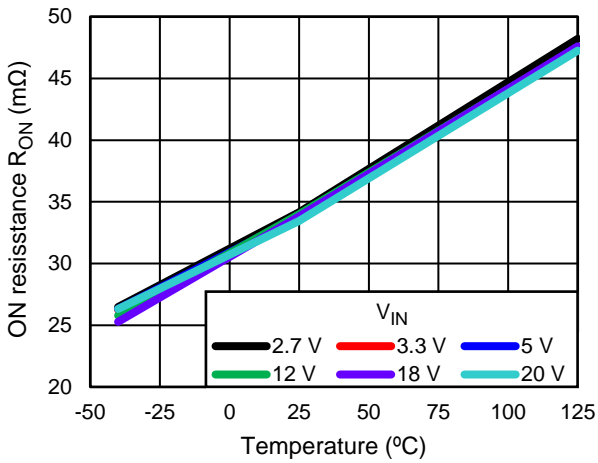
Quiescent current (ON state)  
 $V_{EN} = 3\text{ V}$ ,  $R_{LIM} = 487\ \Omega$ ,  $I_{OUT} = 0\text{ A}$



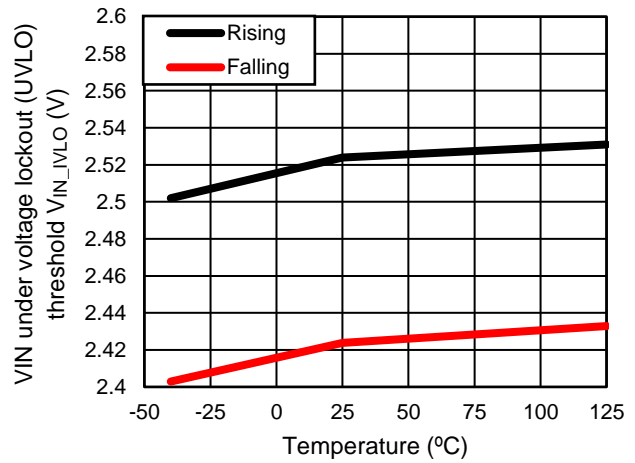
Quiescent current (OFF state)  
 $V_{EN} = 0\text{ V}$ ,  $R_{LIM} = 487\ \Omega$



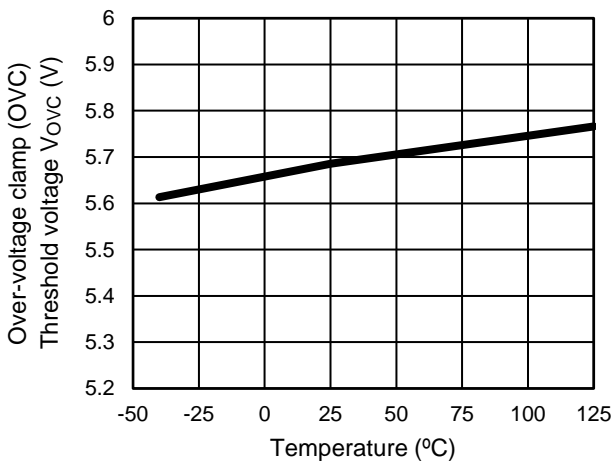
On resistance  
 $I_{OUT} = 1.5\text{ A}$



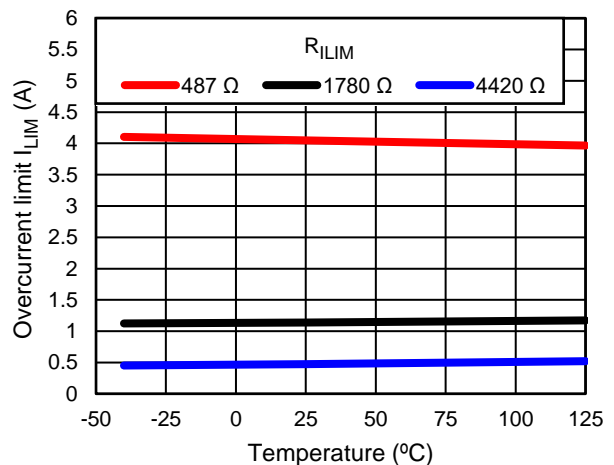
VIN under voltage lockout (UVLO) threshold



Over-voltage clamp (OVC) Threshold voltage  
 TCKE905,  $R_{OUT} = 10\text{ k}\Omega$

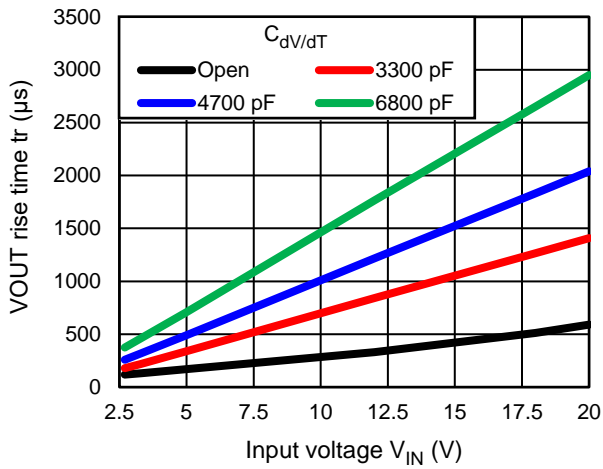


Overcurrent limit  
 $V_{IN} = 12\text{ V}$



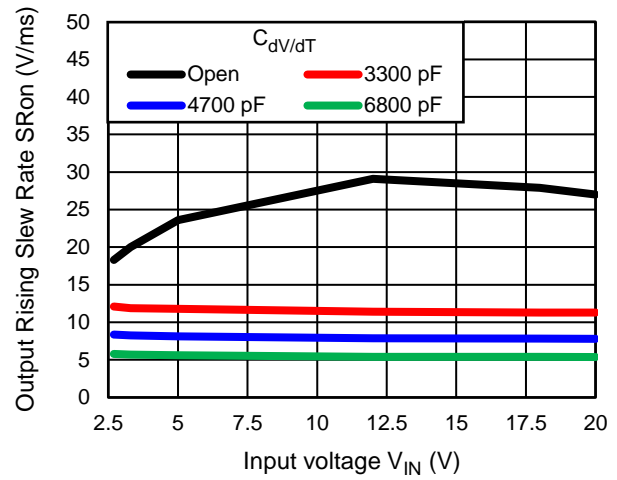
### VOUT rise time

Ta = 25 °C, R<sub>LIM</sub> = 487 Ω, R<sub>OUT</sub> = Open



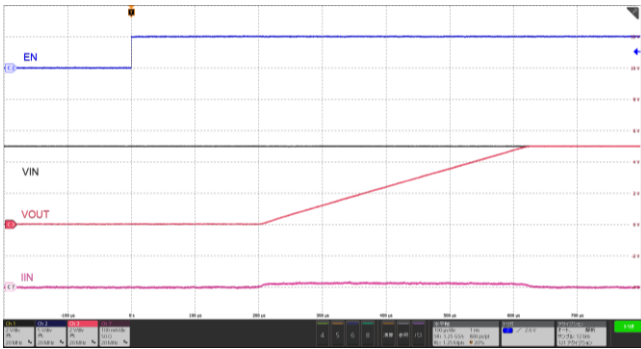
### Output Rising Slew Rate

Ta = 25 °C, R<sub>LIM</sub> = 487 Ω, R<sub>OUT</sub> = Open



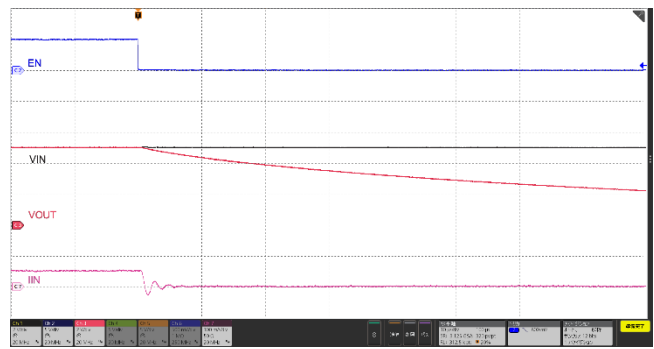
### VOUT turn on

$V_{IN} = 5$  V,  $C_{OUT} = 1$  μF,  $C_{dV/dT} = 3.3$  nF, R<sub>OUT</sub> = Open



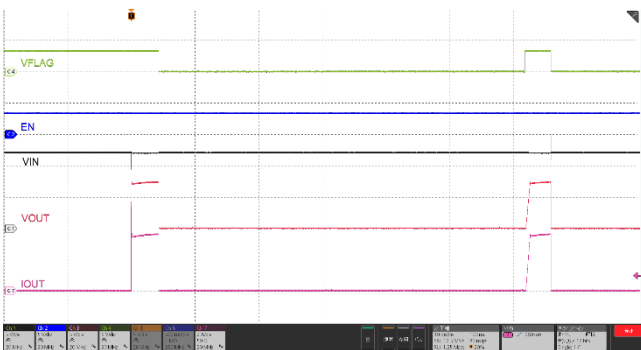
### VOUT turn off

$V_{IN} = 5$  V,  $C_{OUT} = 1$  μF,  $C_{dV/dT} = 3.3$  nF, R<sub>OUT</sub> = 100 Ω



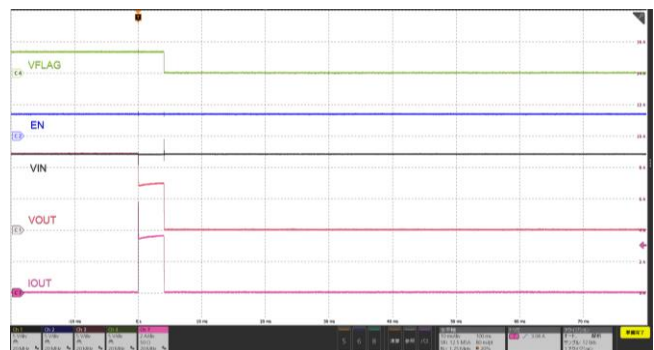
### Overcurrent limit Response (Auto-retry)

$V_{IN} = 12$  V,  $C_{OUT} = 1$  μF, R<sub>LIM</sub> = 487 Ω, R<sub>OUT</sub> = Open to 2 Ω



### Overcurrent limit Response (Latched)

$V_{IN} = 12$  V,  $C_{OUT} = 1$  μF, R<sub>LIM</sub> = 487 Ω, R<sub>OUT</sub> = Open to 2 Ω



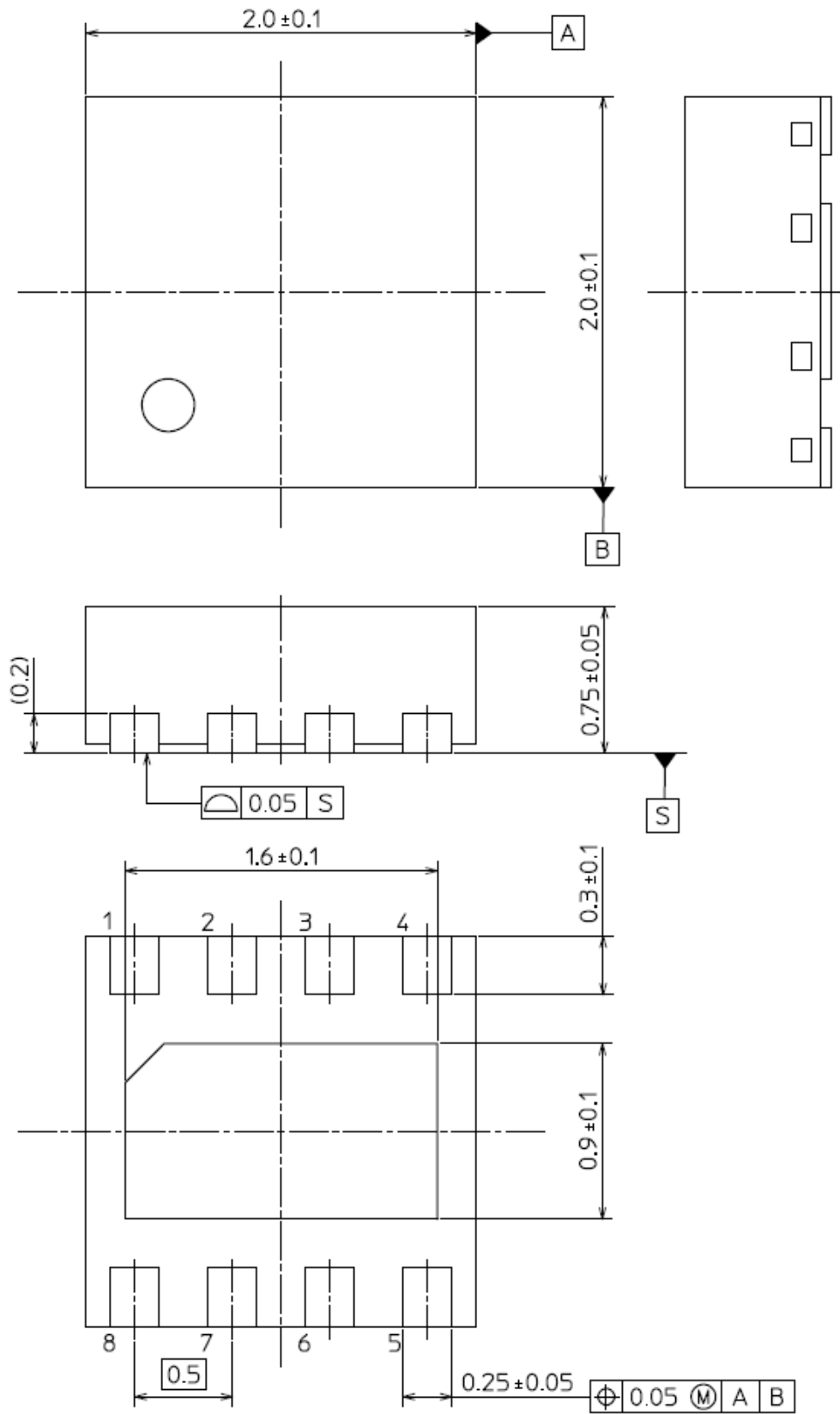
Note: The above characteristics curves are presented for reference only and not guaranteed by production test, unless otherwise noted.



## 12. Package Information

WSON8

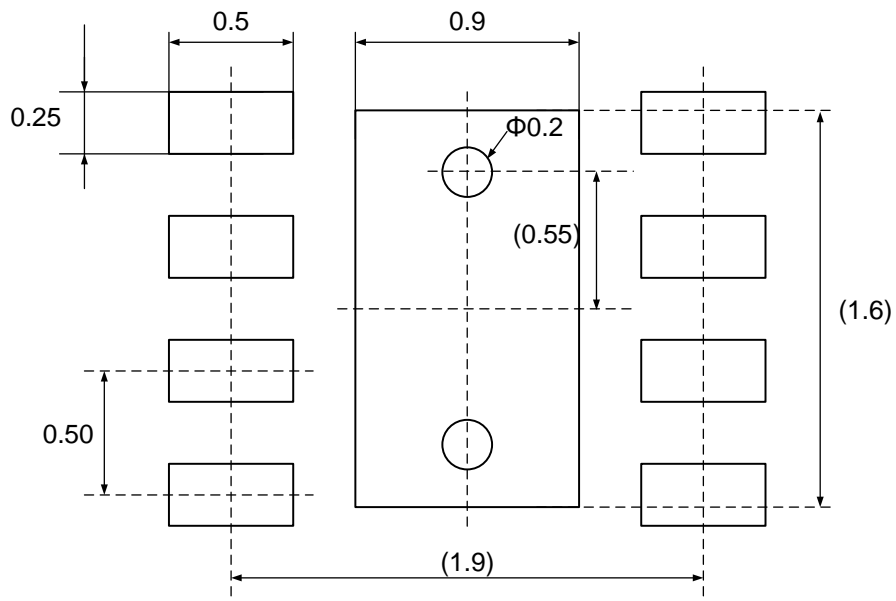
Unit: mm



Weight: 7.99 mg (Typ.)

## 13. Land Pattern Dimensions (for reference only)

Unit: mm



## RESTRICTIONS ON PRODUCT USE

Toshiba Corporation and its subsidiaries and affiliates are collectively referred to as "TOSHIBA". Hardware, software and systems described in this document are collectively referred to as "Product".

- TOSHIBA reserves the right to make changes to the information in this document and related Product without notice.
- This document and any information herein may not be reproduced without prior written permission from TOSHIBA. Even with TOSHIBA's written permission, reproduction is permissible only if reproduction is without alteration/omission.
- Though TOSHIBA works continually to improve Product's quality and reliability, Product can malfunction or fail. Customers are responsible for complying with safety standards and for providing adequate designs and safeguards for their hardware, software and systems which minimize risk and avoid situations in which a malfunction or failure of Product could cause loss of human life, bodily injury or damage to property, including data loss or corruption. Before customers use the Product, create designs including the Product, or incorporate the Product into their own applications, customers must also refer to and comply with (a) the latest versions of all relevant TOSHIBA information, including without limitation, this document, the specifications, the data sheets and application notes for Product and the precautions and conditions set forth in the "TOSHIBA Semiconductor Reliability Handbook" and (b) the instructions for the application with which the Product will be used with or for. Customers are solely responsible for all aspects of their own product design or applications, including but not limited to (a) determining the appropriateness of the use of this Product in such design or applications; (b) evaluating and determining the applicability of any information contained in this document, or in charts, diagrams, programs, algorithms, sample application circuits, or any other referenced documents; and (c) validating all operating parameters for such designs and applications. **TOSHIBA ASSUMES NO LIABILITY FOR CUSTOMERS' PRODUCT DESIGN OR APPLICATIONS.**
- **PRODUCT IS NEITHER INTENDED NOR WARRANTED FOR USE IN EQUIPMENTS OR SYSTEMS THAT REQUIRE EXTRAORDINARILY HIGH LEVELS OF QUALITY AND/OR RELIABILITY, AND/OR A MALFUNCTION OR FAILURE OF WHICH MAY CAUSE LOSS OF HUMAN LIFE, BODILY INJURY, SERIOUS PROPERTY DAMAGE AND/OR SERIOUS PUBLIC IMPACT ("UNINTENDED USE").** Except for specific applications as expressly stated in this document, Unintended Use includes, without limitation, equipment used in nuclear facilities, equipment used in the aerospace industry, lifesaving and/or life supporting medical equipment, equipment used for automobiles, trains, ships and other transportation, traffic signaling equipment, equipment used to control combustions or explosions, safety devices, elevators and escalators, and devices related to power plant. **IF YOU USE PRODUCT FOR UNINTENDED USE, TOSHIBA ASSUMES NO LIABILITY FOR PRODUCT.** For details, please contact your TOSHIBA sales representative or contact us via our website.
- Do not disassemble, analyze, reverse-engineer, alter, modify, translate or copy Product, whether in whole or in part.
- Product shall not be used for or incorporated into any products or systems whose manufacture, use, or sale is prohibited under any applicable laws or regulations.
- The information contained herein is presented only as guidance for Product use. No responsibility is assumed by TOSHIBA for any infringement of patents or any other intellectual property rights of third parties that may result from the use of Product. No license to any intellectual property right is granted by this document, whether express or implied, by estoppel or otherwise.
- **ABSENT A WRITTEN SIGNED AGREEMENT, EXCEPT AS PROVIDED IN THE RELEVANT TERMS AND CONDITIONS OF SALE FOR PRODUCT, AND TO THE MAXIMUM EXTENT ALLOWABLE BY LAW, TOSHIBA (1) ASSUMES NO LIABILITY WHATSOEVER, INCLUDING WITHOUT LIMITATION, INDIRECT, CONSEQUENTIAL, SPECIAL, OR INCIDENTAL DAMAGES OR LOSS, INCLUDING WITHOUT LIMITATION, LOSS OF PROFITS, LOSS OF OPPORTUNITIES, BUSINESS INTERRUPTION AND LOSS OF DATA, AND (2) DISCLAIMS ANY AND ALL EXPRESS OR IMPLIED WARRANTIES AND CONDITIONS RELATED TO SALE, USE OF PRODUCT, OR INFORMATION, INCLUDING WARRANTIES OR CONDITIONS OF MERCHANTABILITY, FITNESS FOR A PARTICULAR PURPOSE, ACCURACY OF INFORMATION, OR NONINFRINGEMENT.**
- Do not use or otherwise make available Product or related software or technology for any military purposes, including without limitation, for the design, development, use, stockpiling or manufacturing of nuclear, chemical, or biological weapons or missile technology products (mass destruction weapons). Product and related software and technology may be controlled under the applicable export laws and regulations including, without limitation, the Japanese Foreign Exchange and Foreign Trade Law and the U.S. Export Administration Regulations. Export and re-export of Product or related software or technology are strictly prohibited except in compliance with all applicable export laws and regulations.
- Please contact your TOSHIBA sales representative for details as to environmental matters such as the RoHS compatibility of Product. Please use Product in compliance with all applicable laws and regulations that regulate the inclusion or use of controlled substances, including without limitation, the EU RoHS Directive. **TOSHIBA ASSUMES NO LIABILITY FOR DAMAGES OR LOSSES OCCURRING AS A RESULT OF NONCOMPLIANCE WITH APPLICABLE LAWS AND REGULATIONS.**

# Mouser Electronics

Authorized Distributor

Click to View Pricing, Inventory, Delivery & Lifecycle Information:

[Toshiba:](#)

[TCKE912NA,RF](#)