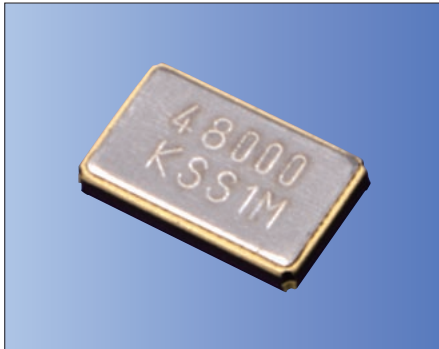


Crystal Units

Surface Mount Type CX5032SB (CX-96F)



5.0×3.2mm for Mobile Communications



Ph Free

RoHS Compliant

Features

- Reference frequency for telecommunication systems
- Reflow compatible
- Using ceramic package resulting in high reliability
- Small and low profile

Applications

- Mobile Communications, Bluetooth, Wireless LAN
- Car audio and accessories

How to Order

CX5032SB 26000 □□ □□ □□ □□
 ① ② ③ ④ ⑤ ⑥ ⑦

- ① Series ② Frequency
 ③ Load Capacitance ④ Frequency Stability

DO	8 pF	—	F	$\pm 10 \times 10^{-6}$	Std.
FO	10 pF	Std.	G	$\pm 15 \times 10^{-6}$	—
HO	12 pF	—			
SO	Series	—			

- ⑤ Operating Temp. Range ⑥ Frequency Temp. Stability

FF	-20 to +70°C	$\pm 10 \times 10^{-6}$	—
LJ	-30 to +85°C	$\pm 15 \times 10^{-6}$	Std.

- ⑦ Individual Specification... Std.Spec. as "ZZ"

Specifications

Item	Symbol	Specification	Units	Remarks
Frequency Range	f _{nom}	9800 to 49999	50 to 120 (MHz)	kHz
Overtone Order	OT	Fundamental	3rd. Overtone	—
Load Capacitance	CL	10		pF
Frequency Stability	f _{tol}	± 10		$\times 10^{-6}$ @ 25°C
Motional Series Resistance	R1	Table 1		ohm
Drive Level	DL	Table 2		μW
Operating Temp. Range	T _{use}	-30 to +85		°C
Storage Temp. Range	T _{stg}	-40 to +85		°C
Frequency Temp. Characteristics	f _{tem}	± 15		$\times 10^{-6}$ ref. @ 25°C over operating temperature range

* Please contact us for other specifications.

Typical Frequencies and Part Numbers

Frequency (kHz)	Standard Part Number
9843.750	CX5032SB09843F0FLJZZ
12000.000	CX5032SB12000F0FLJZZ
12800.000	CX5032SB12800F0FLJZZ
13000.000	CX5032SB13000F0FLJZZ
13560.000	CX5032SB13560F0FLJZZ
14400.000	CX5032SB14400F0FLJZZ
16000.000	CX5032SB16000F0FLJZZ
19200.000	CX5032SB19200F0FLJZZ
26000.000	CX5032SB26000F0FLJZZ
32000.000	CX5032SB32000F0FLJZZ
40000.000	CX5032SB40000F0FLJZZ
48000.000	CX5032SB48000F0FLJZZ

Table1 Motional Series Resistance

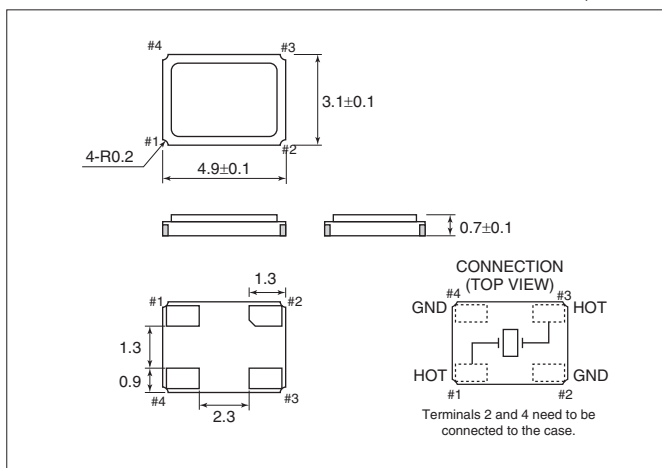
Frequency Range	Motional Series Resistance	Units
9800 to 9999kHz	150 max.	ohm
10000 to 11999kHz	80 max.	
12000 to 25999kHz	50 max.	
26000 to 49999kHz	40 max.	
50 to 120 (MHz)	80 max.	

Table2 Level of Drive

Frequency Range	Drive Level	Units
9800 to 49999kHz	10 (100 max.)	μW
50 to 120 (MHz)		

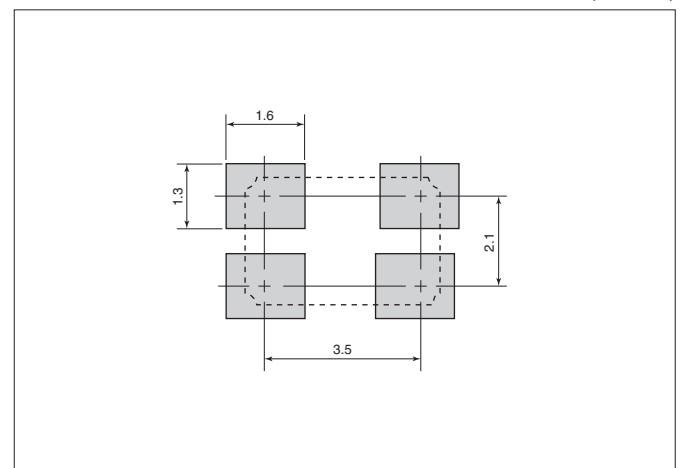
Dimensions

(Unit: mm)



Recommended Land Pattern

(Unit: mm)



Mouser Electronics

Authorized Distributor

Click to View Pricing, Inventory, Delivery & Lifecycle Information:

[Kyocera AVX:](#)

[CX5032SB13000F0FLJZZ](#)