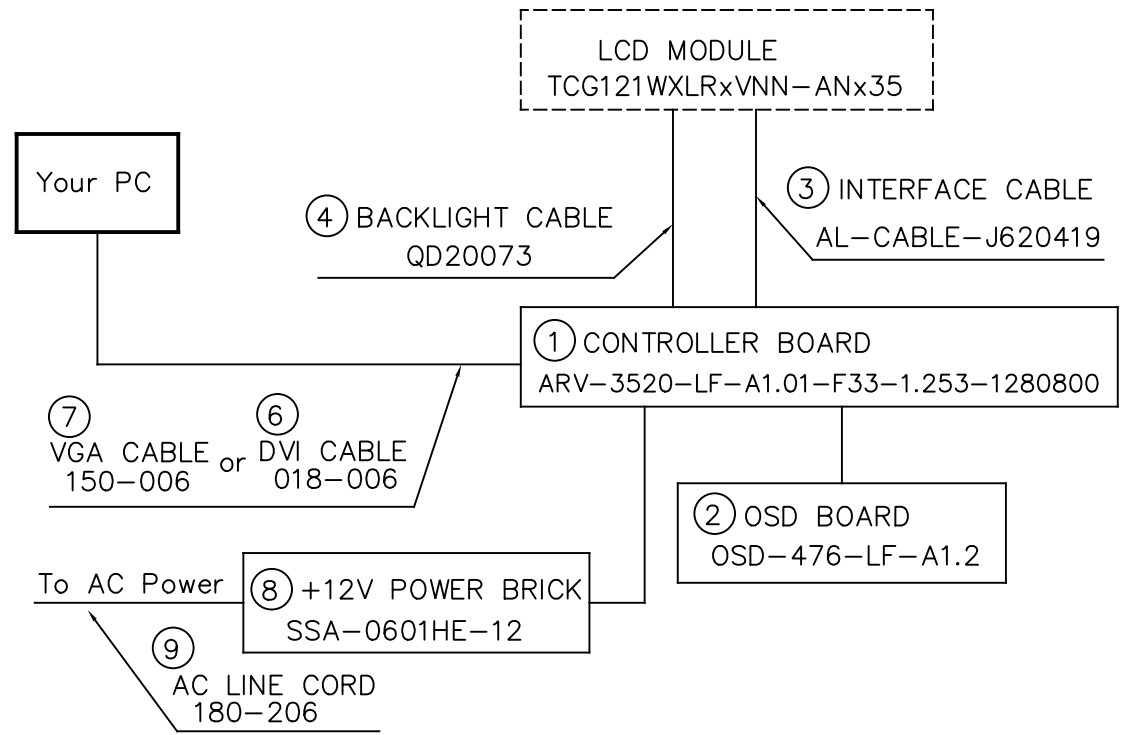


ISSUE	REVISIONS	DRAWN	CHECKED	APPROVED	DATE
△	Initial Released	A.N.	J.H.	T.K.	Aug.30.'19

PARTS CONNECTION DETAILS

PLEASE SEE THE INSTRUCTION FOR DETAILS



1. Set Bios Jumpers

Default	Set (1280x800)
SW1 ON	SW1 OFF
SW2 ON	SW2 OFF
SW3 ON	SW3 OFF
SW4 ON	SW4 ON
SW5 ON	SW5 ON
SW6 OFF	SW6 OFF

2. Set LCD panel Voltage

Set (+3.3V)
JP701

3. Set Brightness Voltage

Set (+12V)
JP203

4. Set Brightness Control

Default	Set (PWM)
JP206 1-2	2-3
JP207 1-2	2-3

5. Adjust Brightness by OSD board

Default	Adjust
128 (50%)	255 (100%)

6. Confirm EDID chip label: ED1.32-12880
Reprogram EDID chip if it different.

*One time use for Mouser.

20				10	TOOL KIT BOX	TOOL KIT BOX	1	APAC	
19				9	AC LINE CORD	180-206	1	CABLES FOR LESS	
18				8	+12V POWER BRICK	SSA-0601HE-12	1	Spectrah	
17				7	VGA CABLE	150-006	1	CABLES FOR LESS	
16				6	DVI CABLE	018-006	1	CABLES FOR LESS	
15				5	WHITE CHIP BOARD	WHITE CHIP BOARD	1	APAC	
14				4	BACKLIGHT CABLE	QD20073	1	Spectrah	
13	LABEL	S-12211	1	ULINE	3	INTERFACE CABLE	AL-CABLE-J620419	1	Spectrah
12	FOAM INSERT 2	ANTISTAT FOAM PAD	1	APAC	2	OSD BOARD	OSD-476-LF-A1.2	1	Spectrah
11	FOAM INSERT 1	PICK AND PLUCK FOAM	1	APAC	1	CONTROLLER BOARD	ARV-3520-LF-A1.01-F33-1.253-1280800	1	Spectrah
	DESCRIPTION	PARTS NUMBER	QTY	NOTE (SUPPLIER)	DESCRIPTION	PARTS NUMBER	QTY	NOTE (SUPPLIER)	

① - ⑨ x1 (Place in box)

⑬ Place on end of box with Part number.

TOLERANCE				DATE	APPROVED	TITLE
MEASURE	A	B	C			
L≤16	±0.1	±0.3	±1	Aug.30.'19	KYOCERA International, Inc.	TOOL KIT OUTLINE
16<L≤63	±0.2	±0.5	±1.5	mm		
63<L≤250	±0.3	±0.8	±2	SCALE		
250<L≤500	±0.5	±1.2	±3	No Scale	CHECKED	PARTS No.
500<L	±0.8	±2	±4		Jessica He	TKL-1210B-19101-A
ANGLE	±1°	±5°	±10°		DRAWN	DWG No.
					Atsushi Nagatani	DWG-1210B-19101-A

Mouser Electronics

Authorized Distributor

Click to View Pricing, Inventory, Delivery & Lifecycle Information:

[Kyocera:](#)

[TKL-1210B-19101-A](#)