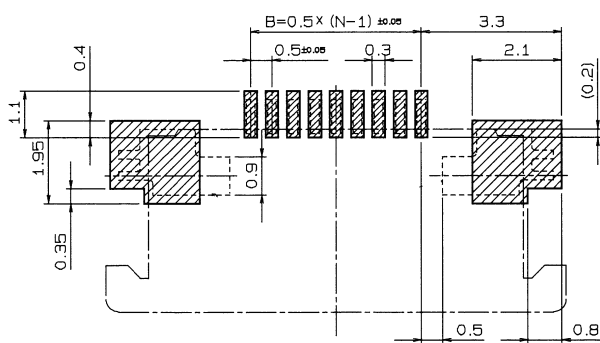
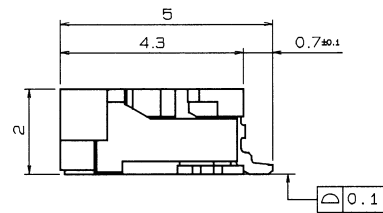
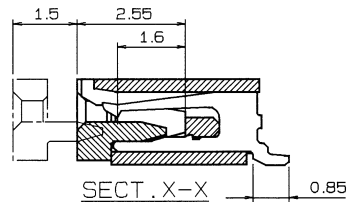
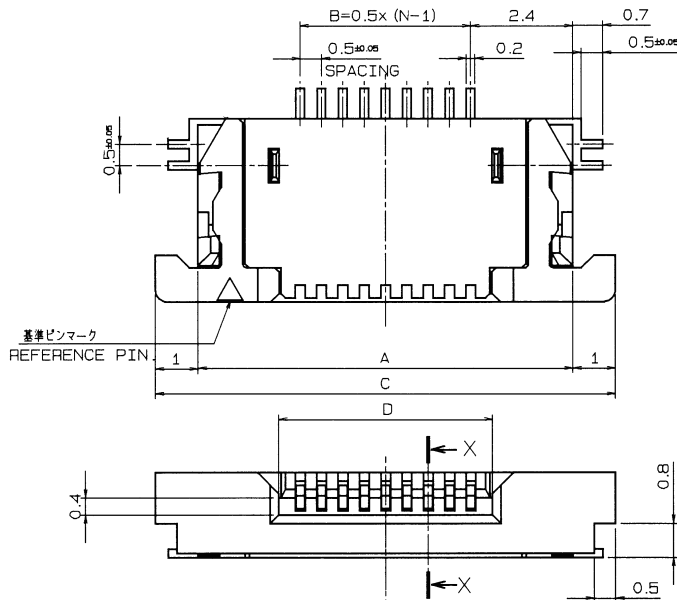


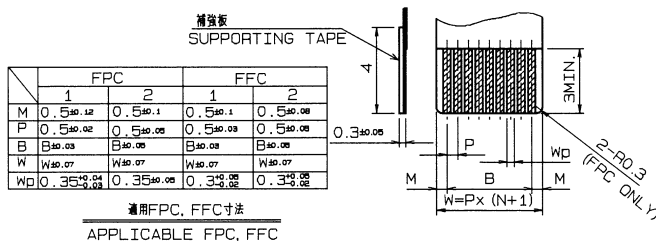
0.5mm Pitch  
SERIES

# 6212/6262

0.5mmピッチ RA SMT 上接点 スライドロック  
0.5mmPitch RA SMT Top contact Slide lock



推奨基板取付寸法 (コネクタ搭載側)  
MOUNTING LAYOUT (CONN. MOUNTING SIDE)



| 極数<br>NO.OF.POS | A    | B    | C    | D    |
|-----------------|------|------|------|------|
| 5               | 6.8  | 2.0  | 8.8  | 3.1  |
| 6               | 7.3  | 2.5  | 9.3  | 3.6  |
| 7               | 7.8  | 3.0  | 9.8  | 4.1  |
| 8               | 8.3  | 3.5  | 10.3 | 4.6  |
| 9               | 8.8  | 4.0  | 10.8 | 5.1  |
| 10              | 9.3  | 4.5  | 11.3 | 5.6  |
| 11              | 9.8  | 5.0  | 11.8 | 6.1  |
| 12              | 10.3 | 5.5  | 12.3 | 6.6  |
| 13              | 10.8 | 6.0  | 12.8 | 7.1  |
| 14              | 11.3 | 6.5  | 13.3 | 7.6  |
| 15              | 11.8 | 7.0  | 13.8 | 8.1  |
| 16              | 12.3 | 7.5  | 14.3 | 8.6  |
| 17              | 12.8 | 8.0  | 14.8 | 9.1  |
| 18              | 13.3 | 8.5  | 15.3 | 9.6  |
| 19              | 13.8 | 9.0  | 15.8 | 10.1 |
| 20              | 14.3 | 9.5  | 16.3 | 10.6 |
| 21              | 14.8 | 10.0 | 16.8 | 11.1 |
| 22              | 15.3 | 10.5 | 17.3 | 11.6 |
| 23              | 15.8 | 11.0 | 17.8 | 12.1 |
| 24              | 16.3 | 11.5 | 18.3 | 12.6 |
| 25              | 16.8 | 12.0 | 18.8 | 13.1 |
| 26              | 17.3 | 12.5 | 19.3 | 13.6 |
| 27              | 17.8 | 13.0 | 19.8 | 14.1 |
| 28              | 18.3 | 13.5 | 20.3 | 14.6 |
| 29              | 18.8 | 14.0 | 20.8 | 15.1 |
| 30              | 19.3 | 14.5 | 21.3 | 15.6 |
| 32              | 20.3 | 15.5 | 22.3 | 16.6 |
| 33              | 19.8 | 16.0 | 22.8 | 17.1 |
| 34              | 21.3 | 16.5 | 23.3 | 17.6 |
| 35              | 21.8 | 17.0 | 23.8 | 18.1 |
| 36              | 22.3 | 17.5 | 24.3 | 18.6 |
| 38              | 23.3 | 18.5 | 25.3 | 19.6 |
| 40              | 24.3 | 19.5 | 26.3 | 20.6 |

注文コード ORDERING CODE

08 6212 0XX 340 800+

RoHS 対応品

RoHS Compliant Product

スズ銅めっき Sn-Cu Plated

極数 NUMBER OF POSITIONS

注文コード ORDERING CODE

08 6262 0XX 340 XXX+

RoHS 対応品

RoHS Compliant Product

800+ : スズ銅めっき Sn-Cu Plated (C/Ag type)

846+ : 金めっき Au Plated

極数 NUMBER OF POSITIONS

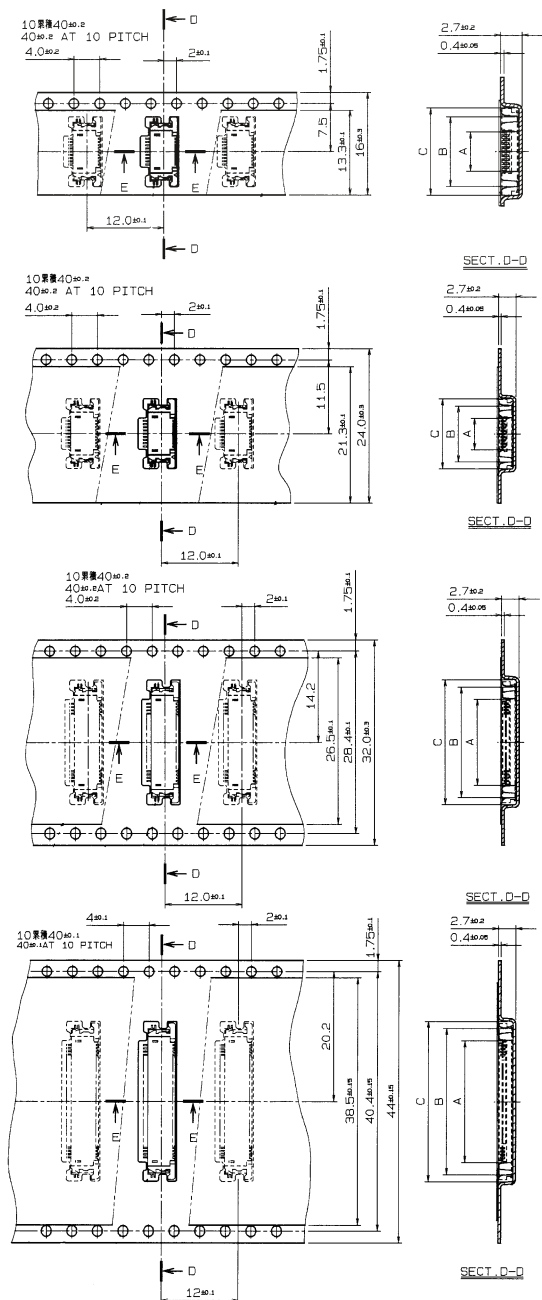
生産対応可能極数については、営業部にご確認願います。

Feel free to contact our sales department for available numbers of positions.

0.5mm Pitch  
SERIES

# 6212/6262

エンボス梱包品  
Tape and Reel Package



| 極数<br>NO.OF POS. | A   | B   | C   |
|------------------|-----|-----|-----|
| 5                | 3.4 | 7.2 | 9.4 |
| 6                | 3.9 | 7.7 | 9.9 |

| 極数<br>NO.OF POS. | A    | B    | C    |
|------------------|------|------|------|
| 7                | 4.4  | 8.2  | 10.4 |
| 8                | 4.9  | 8.7  | 10.9 |
| 9                | 5.4  | 9.2  | 11.4 |
| 10               | 5.9  | 9.7  | 11.9 |
| 11               | 6.4  | 10.2 | 12.4 |
| 12               | 6.9  | 10.7 | 12.9 |
| 13               | 7.4  | 11.2 | 13.4 |
| 14               | 7.9  | 11.7 | 13.9 |
| 15               | 8.4  | 12.2 | 14.4 |
| 16               | 8.9  | 12.7 | 14.9 |
| 17               | 9.4  | 13.2 | 15.4 |
| 18               | 9.9  | 13.7 | 15.9 |
| 19               | 10.4 | 14.2 | 16.4 |
| 20               | 10.9 | 14.7 | 16.9 |
| 21               | 11.4 | 15.2 | 17.4 |
| 22               | 11.9 | 15.7 | 17.9 |
| 23               | 12.4 | 16.2 | 18.4 |
| 24               | 12.9 | 16.7 | 18.9 |

| 極数<br>NO.OF POS. | A    | B    | C    |
|------------------|------|------|------|
| 25               | 13.4 | 17.2 | 19.4 |
| 26               | 13.9 | 17.7 | 19.9 |
| 27               | 14.4 | 18.2 | 20.4 |
| 28               | 14.9 | 18.7 | 20.9 |
| 29               | 15.4 | 19.2 | 21.4 |
| 30               | 15.9 | 19.7 | 21.9 |

| 極数<br>NO.OF POS. | A    | B    | C    |
|------------------|------|------|------|
| 32               | 16.9 | 20.7 | 22.9 |
| 33               | 17.4 | 21.2 | 23.4 |
| 34               | 17.9 | 21.7 | 23.9 |
| 35               | 18.4 | 22.2 | 24.4 |
| 36               | 18.9 | 22.7 | 24.9 |
| 38               | 19.9 | 23.7 | 25.9 |
| 40               | 20.9 | 24.7 | 26.9 |

注文コード ORDERING CODE  
08 6212 OXX 340 800+

RoHS 対応品  
RoHS Compliant Product

スズ銅めっき Sn-Cu Plated

極数 NUMBER OF POSITIONS

注文コード ORDERING CODE  
08 6262 OXX 340 XXX+

RoHS 対応品  
RoHS Compliant Product

800+ : スズ銅めっき Sn-Cu Plated (C/Ag type)  
846+ : 金めっき Au Plated

極数 NUMBER OF POSITIONS

生産対応可能極数については、営業部にご確認願います。

Feel free to contact our sales department for available numbers of positions.

梱包数量 2000個/リール  
PACKING QUANTITY : 2000/Reel

# Mouser Electronics

Authorized Distributor

Click to View Pricing, Inventory, Delivery & Lifecycle Information:

[Kyocera AVX:](#)

[086212033340800X](#) [086212024010800](#)