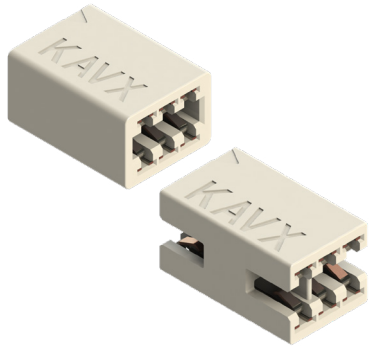


LINEAR CARD EDGE WITH SPRING CONTACT 9159-7X0



General Description



KYOCERA AVX Interconnect continues to develop unique connectors to fill the gap in the market. The newest addition to KYOCERA AVX's broadening line of one piece card edge connectors is the 2p-12p linear card edge version with spring contact 9159-700/760, which is extension of popular linear card edge versions 9159-000 and 9159-060. This new connector is with spring gold (or tin) plated BeCu contacts and provide high electrical and mechanical performance suitable for harsh environment like automotive. There are available two versions – closed side 9159-700 and open side 9159-760. Optionally is available plating option Sn.

The proven contact system has easy installation without soldering, enhanced reliability, signal integrity and up to 2A/contact current rating. The connector is designed for mating PCB board with 1.5mm (+/- 0.15mm) thickness and gold (or tin) plated pads.

APPLICATIONS

Provides a one piece connector solution for linear PCB mating in applications :

- Automotive Lighting
- Transportation Lighting
- LED Lighting
- Industrial
- Product Specification: Refer to 201-01-239
- Application Notes: Refer to 201-01-240

FEATURES AND BENEFITS

- Ruggedized linear card edge
- Up to 2 Amps per contact current rating meets robust application requirements
- Gold (or tin) plated (nickel underplate) BeCu contact system for high reliability in harsh environments
- High electrical and mechanical performance
- Easy installation

ELECTRICAL

- Current Rating: See Table Below
- Voltage Rating: 150VAC (RMS) or DC Equivalent

Series	Positions	Current (Amps)	
		UL	cUL
9159-760	4-8	2	2
9159-760	10-12	1.5	1.5
9159-700	4-8	2	1.7
9159-700	10-12	1.5	1.5

ENVIRONMENTAL

- Operating Temperature: -40°C to +130°C
- Storage Temperature: -40°C to +80°C

MECHANICAL

- Insulator Material : High temperature thermoplastic UL94 V-0 rated
- Contact Material : Beryllium Copper Alloy
- Plating: Gold / Tin over Nickel
- Durability: Tin= 20 Cycles, Gold= 1,000 Cycles

HOW TO ORDER - CARD EDGE CONNECTOR DOUBLE ENDED-CLOSED SIDES

00	9159	0XX	701	X	1	X
Prefix	Series	Number of Positions (See Page 154)	Model 701 = Closed sides & 1.50 Thick P.C.B.	Housing Color 9 = White (Standard) 8 = Black (Special Order)	Packaging 1 = Bulk (1,000 Parts Per Bag)	Plating 1 = Gold Flash 6 = Lead-Free Tin

HOW TO ORDER - CARD EDGE CONNECTOR DOUBLE ENDED-OPEN SIDES

00	9159	0XX	761	X	1	X
Prefix	Series	Number of Positions (See Page 155)	Model 761 = Open sides & 1.50 Thick P.C.B.	Housing Color 9 = White (Standard) 8 = Black (Special Order)	Packaging 1 = Bulk (1,000 Parts Per Bag)	Plating 1 = Gold Flash 6 = Lead-Free Tin

Safety Standards: UL 1977-File #E90723



The Important Information/Disclaimer is incorporated in the catalog where these specifications came from or available online at www.kyocera-avx.com/disclaimer/ by reference and should be reviewed in full before placing any order.

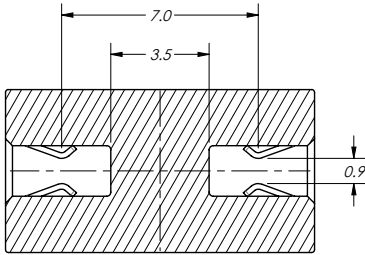
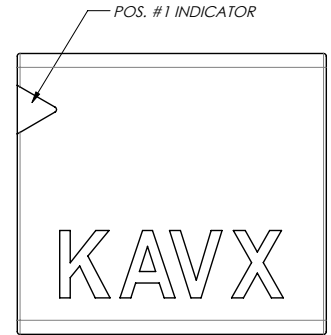
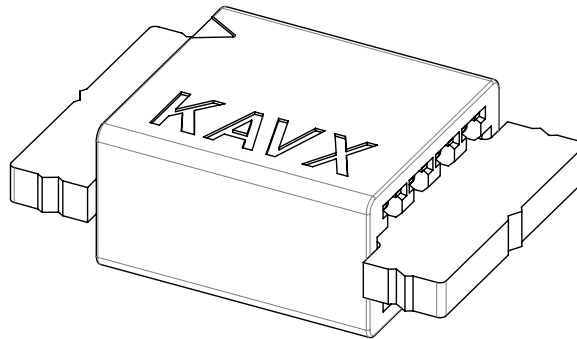
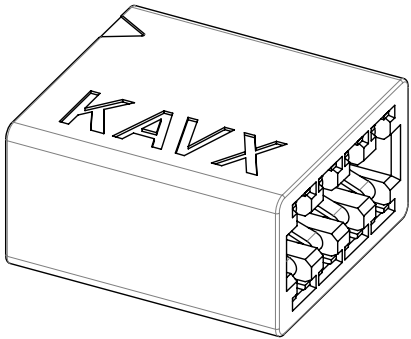
TDS-BTB-0024 | Rev 1

Linear Card Edge with Spring Contact 9159-7X0

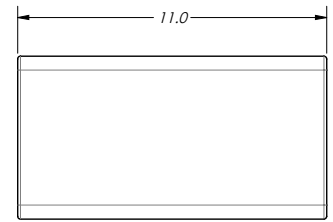
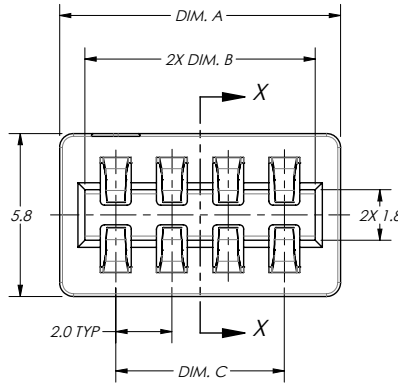
Card Edge Connector Double Ended-Closed Sides



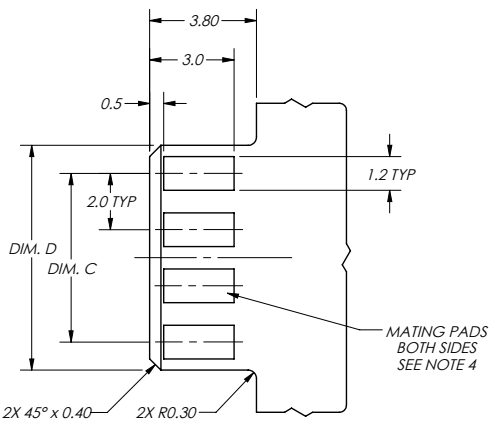
00-9159-0XX-701-X1X



SECTION X-X



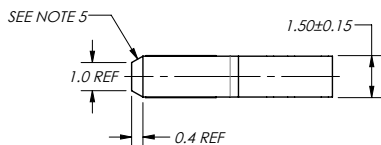
PC BOARD LAYOUT



PARTNUMBER	SIZE	CONTACTS	DIM. A	DIM. B	DIM. C	DIM. D
00-9159-004-701-X1X	2 x 2	4	6.0	4.20	2.0	4.00
00-9159-006-701-X1X	2 x 3	6	8.0	6.20	4.0	6.00
00-9159-008-701-X1X	2 x 4	8	10.0	8.20	6.0	8.00
00-9159-010-701-X1X	2 x 5	10	12.0	10.20	8.0	10.00
00-9159-012-701-X1X	2 x 6	12	14.0	12.20	10.0	12.00

NOTES

1. HOUSING MATERIAL: HIGH TEMP. THERMOPLASTIC; FLAME RETARDANT PER UL94V-0; COLOR: SEE P.N. CODE.
2. CONTACT MATERIAL: HIGH STRENGTH COPPER ALLOY.
3. CONTACT PLATING: NICKEL UNDERPLATE ALL OVER; SEE P.N. CODE FOR CONTACT AREA PLATING.
4. PCB PADS TO MATCH CONTACT PLATING.
5. LEAD-IN CHAMFERS ARE STRONGLY RECOMMENDED.

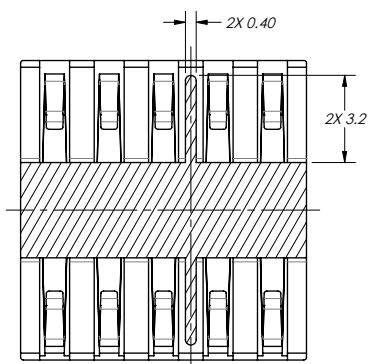
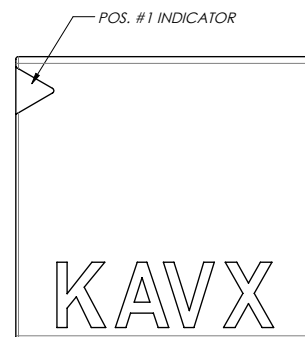
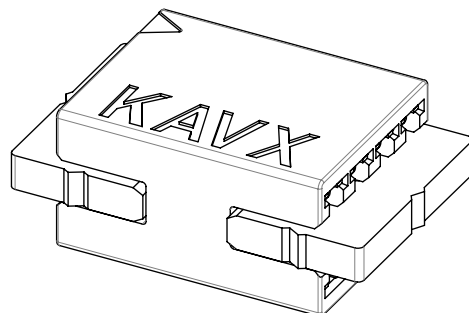
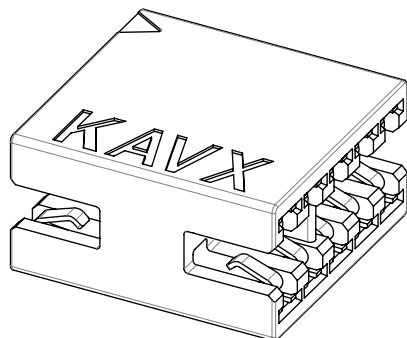


Linear Card Edge with Spring Contact 9159-7X0

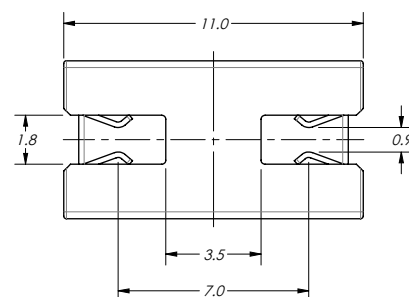
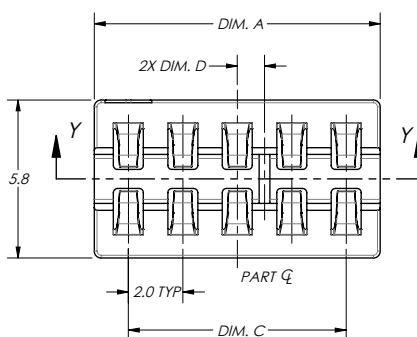
CARD EDGE CONNECTOR DOUBLE ENDED-OPEN SIDES



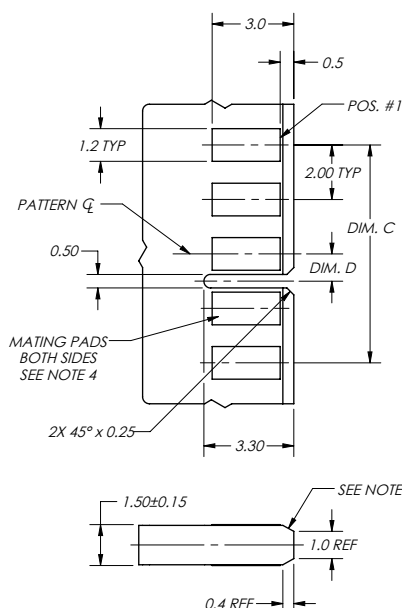
00-9159-0XX-761-X1X



SECTION Y-Y



PC BOARD LAYOUT



PART NUMBER	SIZE	CONTACTS	DIM. A	DIM. C	DIM. D
00-9159-004-761-X1X	2 x 2	4	4.5	2.0	0.0
00-9159-006-761-X1X	2 x 3	6	6.5	4.0	1.0
00-9159-008-761-X1X	2 x 4	8	8.5	6.0	0.0
00-9159-010-761-X1X	2 x 5	10	10.5	8.0	1.0
00-9159-012-761-X1X	2 x 6	12	12.5	10.0	0.0

NOTES

1. HOUSING MATERIAL: HIGH TEMP. THERMOPLASTIC; FLAME RETARDANT PER UL94V-0; COLOR: SEE P.N. CODE.
2. CONTACT MATERIAL: HIGH STRENGTH COPPER ALLOY.
3. CONTACT PLATING: NICKEL UNDERPLATE ALL OVER; SEE P.N. CODE FOR CONTACT AREA PLATING.
4. PCB PADS TO MATCH CONTACT PLATING.
5. LEAD-IN CHAMFERS ARE STRONGLY RECOMMENDED.

Mouser Electronics

Authorized Distributor

Click to View Pricing, Inventory, Delivery & Lifecycle Information:

[KYOCERA AVX:](#)

[009159004701911](#) [009159010761911](#) [009159012701911](#) [009159010701911](#) [009159008701911](#)
[009159004761911](#) [009159006701911](#) [009159008761911](#) [009159006761911](#) [009159012761911](#)