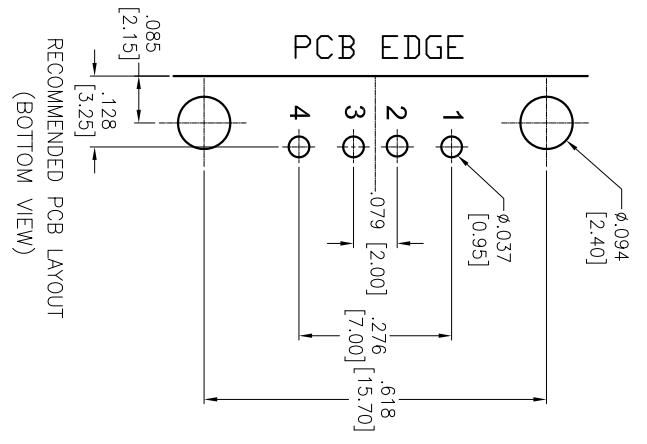
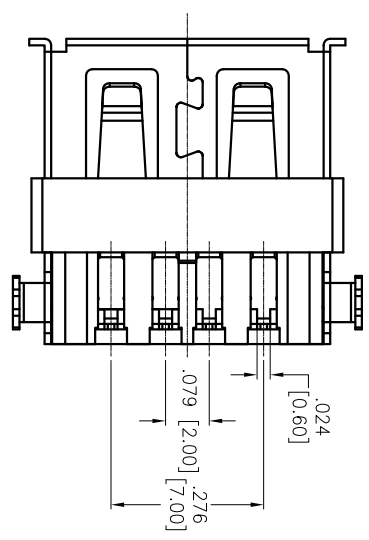
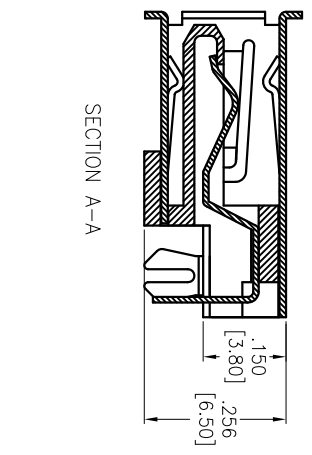
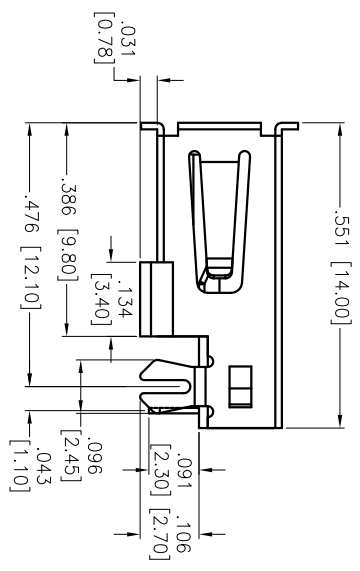
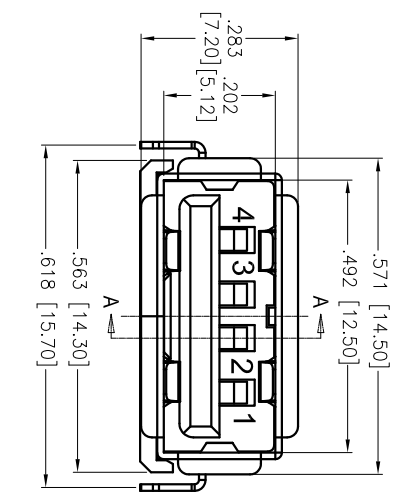


Rev	AWO #	Description	Date	Appr
-		RELEASED	5/8/15	

APPROVED: \_\_\_\_\_  
 DATE: \_\_\_\_\_ TITLE: \_\_\_\_\_



**SPECIFICATIONS:**

- Material: Insulator: Hi-Temp Thermoplastic, rated UL 94V-0
- Insulator color: Black
- Contacts: Phosphor Bronze
- Shell: Brass, nickel plated
- Plating: Gold over Nickel underplate on contact area, Tin over Copper underplate on PCB tails
- Electrical: Rated Voltage & Current: 1.5A @250VAC Min. Contact resistance: 30 mohms max Insulation resistance: 1,000 Mohms min @ 500 VDC. Dielectric withstanding voltage: 750 VAC for 1 minute
- Environmental: Lead free, RoHS compliant.

UNLESS OTHERWISE SPECIFIED	
ALL DIMENSIONS ARE INCHES [MM]	
TOLERANCES: EXCEPT AS NOTED	
INCHES	HOLES
.X ± .10	ØX ± .10
.XX ± .020	ØXX ± .015
.XXX ± .015	ØXXX ± .010
APPROVALS	DATE
DRAWN AY	5/8/15
CHECKED NP	5/8/15
APPROVED	

**ADAM TECH**  
 909 Rahway Avenue, Union, NJ 07083  
 Phone: 908-687-5000 Fax: 908-687-5710

TITLE: UNIVERSAL SERIAL BUS, TYPE A, FEMALE  
 RIGHT ANGLE, DIP TYPE, REVERSE TYPE

SIZE	PART NO.	REV.
X	USB-A-S-RA-EH9-R-HT	-
REF: S00095T	SCALE: NTS	SHEET 1 OF 1

# Mouser Electronics

Authorized Distributor

Click to View Pricing, Inventory, Delivery & Lifecycle Information:

[Adam Tech:](#)

[USB-A-S-RA-EH9-R-HT](#)