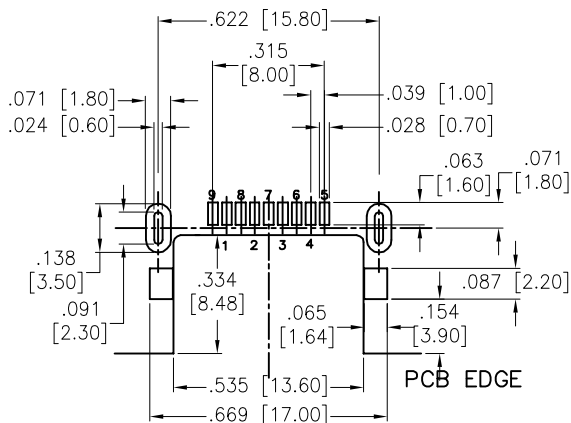


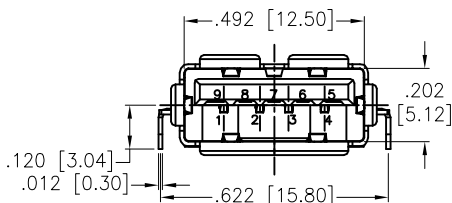
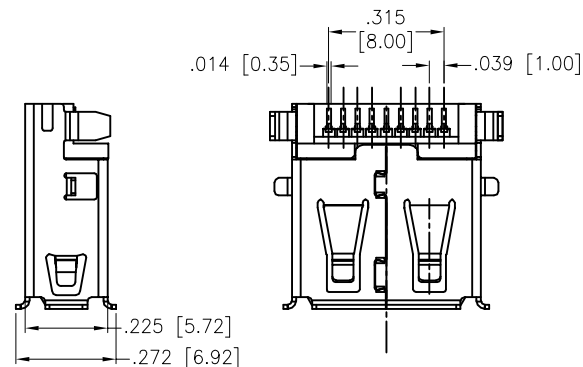
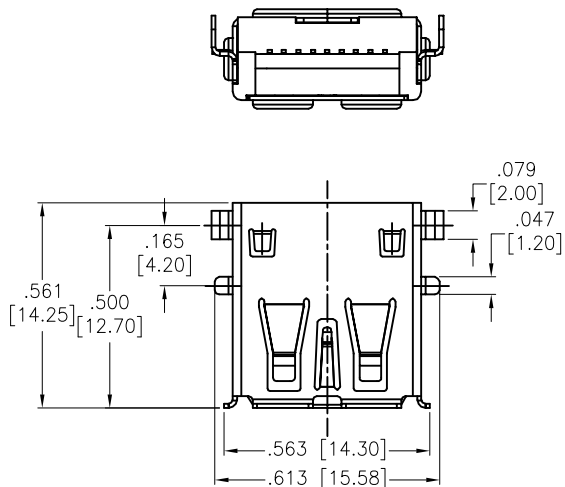
APPROVED: _____

DATE: _____ TITLE: _____

Rev	AWO #	Description	Date	Appr
-		RELEASED	11/02/10	
A		REVISED SPEC.	3/17/15	AY/OC
B		UPDATE DRAWING	11/3/20	LH/RL
C		UPDATE TITLE	6/27/24	JJ/RC



RECOMMENDED PCB LAYOUT



Pin NUMBER	SIGNAL NAME
1	VBUS
2	D-
3	D+
4	GND
5	StdA_SSRX-
6	StdA_SSRX+
7	GND_DRAIN
8	StdA_SSTX-
9	StdA_SSTX+
Shell	Shield

SPECIFICATIONS:

Material:

Insulator: Hi-temp thermoplastic, rated UL 94V-0

Contacts: Copper Alloy

Shell: Brass, Nickel plated

Plating:

Gold Flash over Nickel underplate on contact area,

Tin over Nickel underplate on solder tails.

Electrical:

Current rating: 1.5 A

Contact resistance: 30 mohms max.

Insulation resistance: 1000 Mohms min.

Dielectric withstanding: 500 V R.M.S

Temperature Rating:

Operating temperature: -40°C to +85°C

Environmental:

Lead free, RoHS compliant.



UNLESS OTHERWISE SPECIFIED ALL DIMENSIONS ARE INCHES [MM]. TOLERANCES: EXCEPT AS NOTED

INCHES		HOLES	
.x	± .10	∅x	± .10
.xx	± .020	∅xx	± .015
.xxx	± .015	∅xxx	± 0.010

DRAWN	DY	11/02/10
CHECKED		
APPROVED		

THIS DRAWING CONTAINS INFORMATION THAT IS PROPRIETARY AND SHOULD NOT BE USED WITHOUT PRIOR WRITTEN PERMISSION FROM ADAM TECH



909 Rahway Avenue,
Union, NJ 07083
Phone: 908-687-5000
Fax: 908-687-5710

TITLE		UNIVERSAL SERIAL BUS 3.0, TYPE A, FEMALE, METAL SHIELD, SMT TYPE TRANSMISSION EFFICIENCY: 5 GBPS	
SIZE	PART NO.	REV.	
X	USB-A3-S-RA-SMT	C	
REF:	S00087C	SCALE:	NTS
		SHEET	1 OF 1

Mouser Electronics

Authorized Distributor

Click to View Pricing, Inventory, Delivery & Lifecycle Information:

[Adam Tech:](#)

[USB-A3-S-RA-SMT](#)