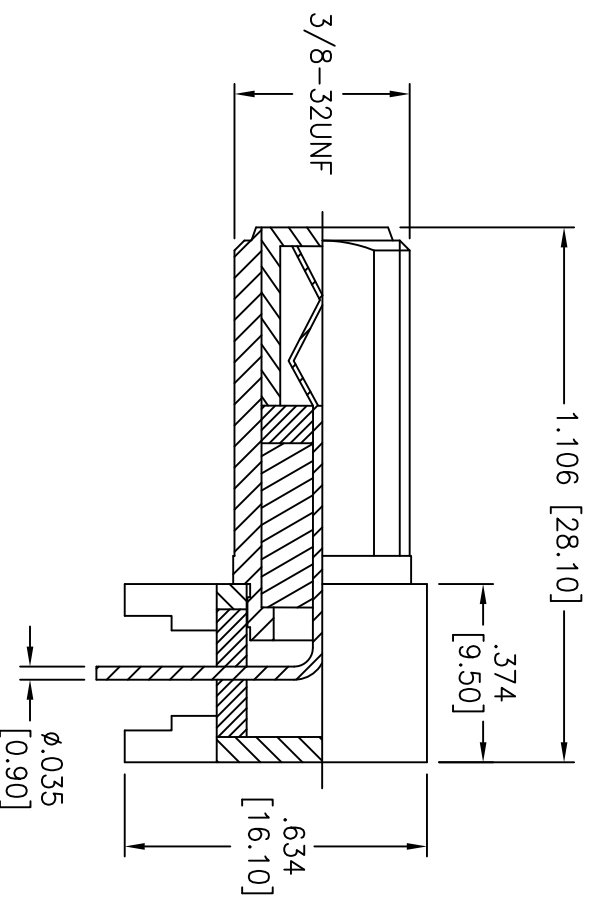
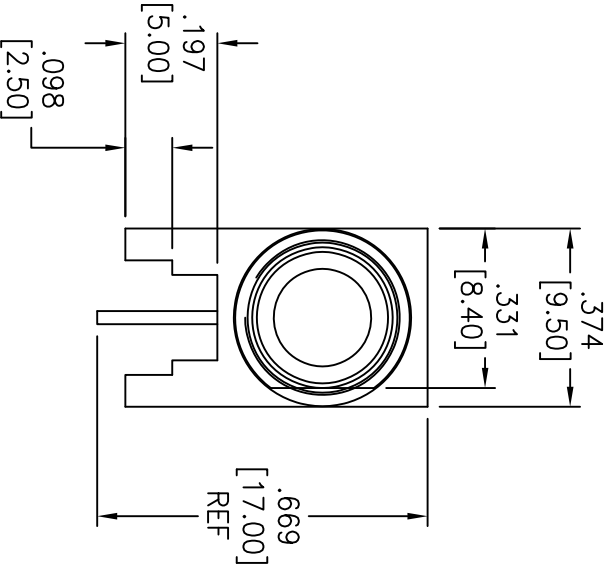
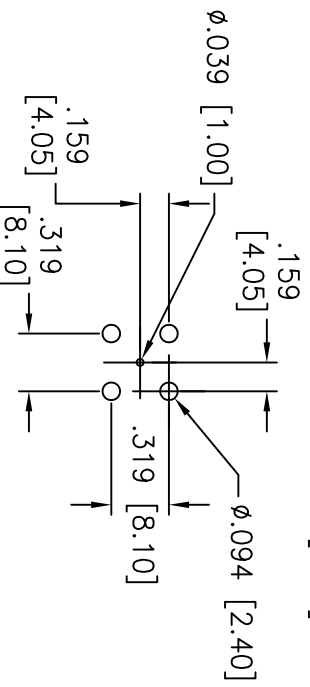


APPROVED: \_\_\_\_\_  
 DATE: \_\_\_\_\_ TITLE: \_\_\_\_\_

Rev	AWO #	Description	Date	Appr
-		RELEASED	10/26/05	
A		ADDED HEIGHT OFF PCB	03/22/06	BAS
B		REVISED SPEC.	1/21/13	



INSULATOR	TEFLON	NONE
INSULATOR	TEFLON	NONE
PIN	COPPER	TIN
CONTACT PIN	PHOSPHOR	TIN
INSULATOR	TEFLON	NONE
BODY	BRASS	NICKEL
BODY	BRASS	NICKEL
BODY	BRASS	NICKEL
DESCRIPTION	MATERIAL	FINISH



RECOMMENDED PCB LAYOUT

**SPECIFICATIONS:**

**Electrical:**

Impedance: 75 ohm  
 Frequency range: 0-2 GHz  
 Working Voltage: 250 VRMS max.  
 Dielectric Withstanding Voltage: 500 VRMS min.  
 Contact Resistance: 5 Milliohms max. (Center Contact)  
 2 Milliohms max. (Outer Contact)  
 Insulator Resistance: 1000 Megohms min.  
 Environmental:  
 Lead free, RoHS compliant.



UNLESS OTHERWISE SPECIFIED ALL DIMENSIONS ARE INCHES [MM]	
TOLERANCES: EXCEPT AS NOTED	
.X	±.10
.XX	±.020
.XXX	±.015
ØX	±.10
ØXXX	±.015
APPROVALS	DATE
DRAWN	SS
CHECKED	
APPROVED	

**ADAM TECH**  
 909 Railway Avenue, Union, NJ 07083  
 Phone: 908-687-5000 Fax: 908-687-5710

TITLE	SIZE	PART NO.	REV.
R/A, F TYPE FEMALE, PC MOUNT, 75 OHM TEFLON INSULATOR	X	RF4-01-T-00-75	B

# Mouser Electronics

Authorized Distributor

Click to View Pricing, Inventory, Delivery & Lifecycle Information:

[Adam Tech:](#)

[RF4-01-T-00-75](#)