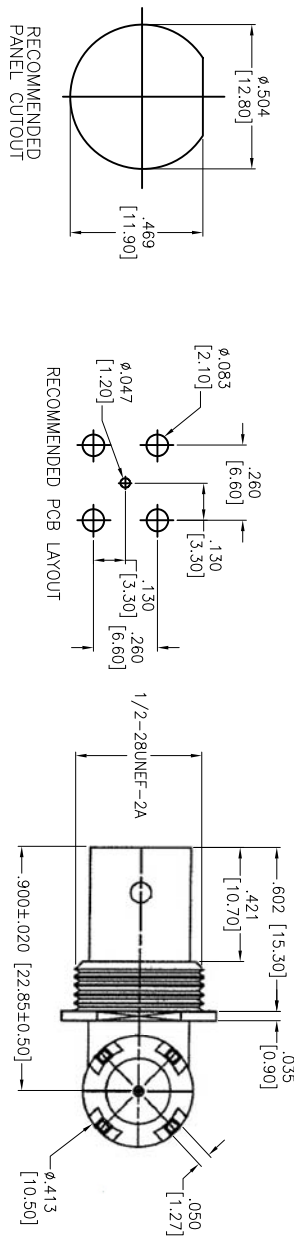
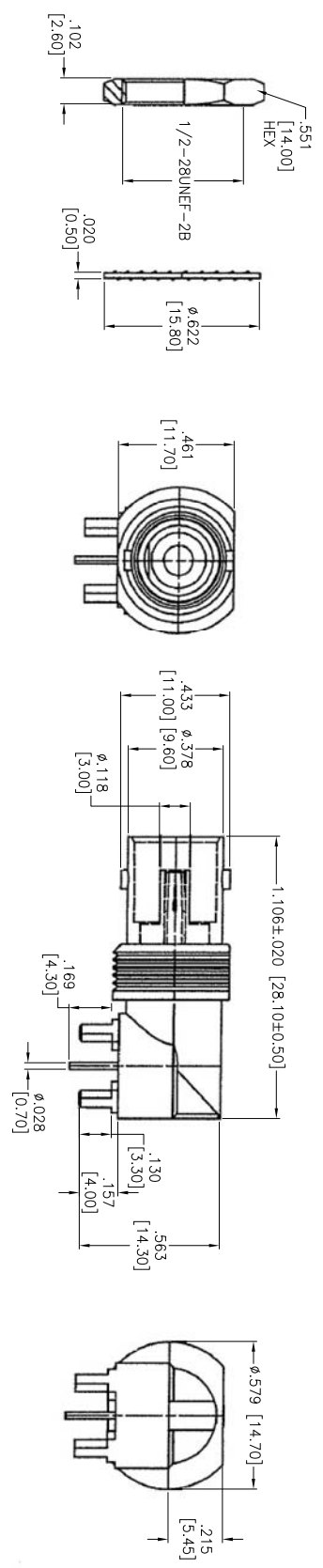


Rev	AWO #	Description	Date	Appr
-		RELEASED	3/30/15	

APPROVED: _____ TITLE: _____
 DATE: _____



CENTER PIN	BRASS	TIN
NUT	ZINC	NICKEL
WASHER	IRON	NICKEL
INSULATOR	TEFLON	WHITE
BODY	ZINC ALLOY	TIN
CENTER CONTACT	PHOSPHOR BRONZE	GOLD
DESCRIPTION	MATERIAL	FINISH

SPECIFICATIONS:

Electrical:
 Nominal Impedance: 75 ohms
 Frequency range: 0-1 GHz
 Contact Resistance: 3 Milliohms max. (Center Contact)
 2 Milliohms max. (Outer Contact)
 Insulator Resistance: 5000 Megohms min.
 Environmental:
 Lead free, RoHS compliant.



ADAM TECH

909 Rahway Avenue, Union, NJ 07083
 Phone: 908-687-5000 Fax: 908-687-5710

TITLE: BNC CONNECTOR, VERTICAL, PCB MOUNT JACK,
 75 OHM, TEFLON, W/ NUT, WASHER

UNLESS OTHERWISE SPECIFIED ALL DIMENSIONS ARE IN INCHES [MM]	
TOLERANCES: EXCEPT AS NOTED	HOLDS
.X ± .10	ØX ± .10
.XX ± .020	ØXX ± .015
.XXX ± .015	ØXXX ± .010
APPROVALS	DATE
DRAWN AY	3/30/15
CHECKED LW	3/30/15
APPROVED	

SIZE	PART NO.	REV.
X	RF1-108A-T-00-75-HDW	-
REF: S00049T	SCALE: NTS	SHEET 1 OF 1

Mouser Electronics

Authorized Distributor

Click to View Pricing, Inventory, Delivery & Lifecycle Information:

[Adam Tech:](#)

[RF1-108A-T-00-75-HDW](#)