

INTRODUCTION:

Adam Tech 2CH & 2SH Series of multiple pitch Headers and Housings are a matched set of Crimp Wire Housings and PCB mounted Shrouded Headers available in Straight, Right Angle or SMT orientation. Offered in various popular industry standard styles they provide a lightweight, fine pitched, polarized, high reliability connection system.

FEATURES:

Multiple pitches and configurations
Matched Housing & Header system
Straight, Right Angle or SMT Headers
Sure fit, Fine Pitched & Polarized

MATING CONNECTORS:

Each set has a male and female mate

SPECIFICATIONS:

Material:

Insulator: Thru-hole: PBT, glass reinforced, rated UL94V-0
SMT: Nylon 46 or 6T, rated UL94V-0

Contacts: Brass

Plating:

Tin over copper underplate overall

Electrical:

Operating voltage: 100V AC max.
Current rating: 0.5 - 3 Amps max.
Insulation resistance: 1000 MΩ min.
Dielectric withstanding voltage: 800V AC for 1 minute

Mechanical:

Insertion force: 1.28 lbs max
Withdrawal force: 0.180 lbs min.

Temperature Rating:

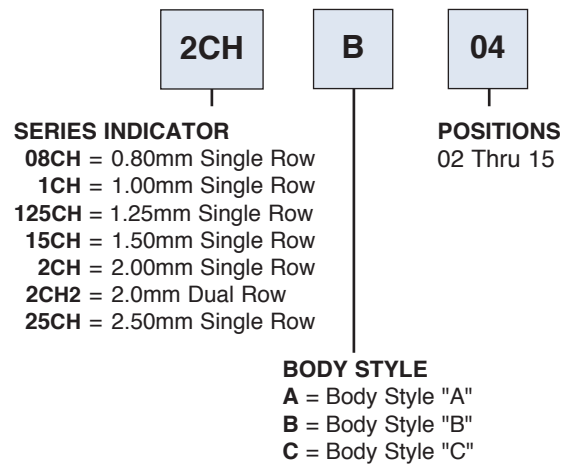
Operating temperature: -25°C to +85°C

SAFETY AGENCY APPROVALS:

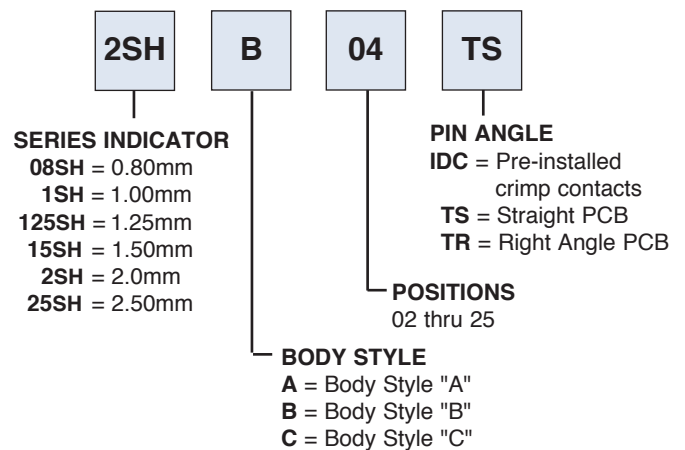
UL Recognized & CSA Certified, File no. E224053



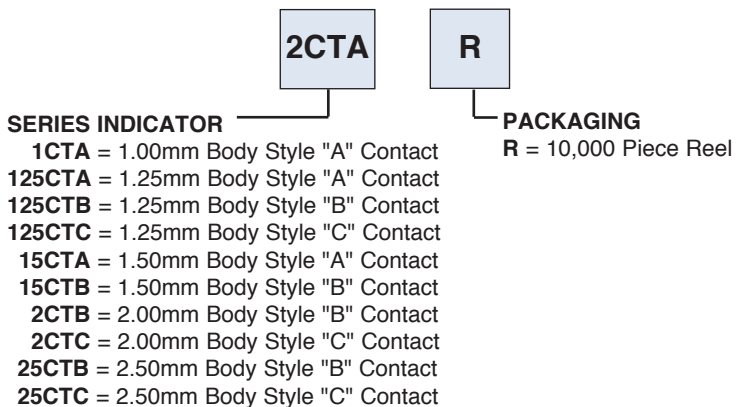
**ORDERING INFORMATION
CRIMP HOUSING**



**ORDERING INFORMATION
SHROUDED HEADER**



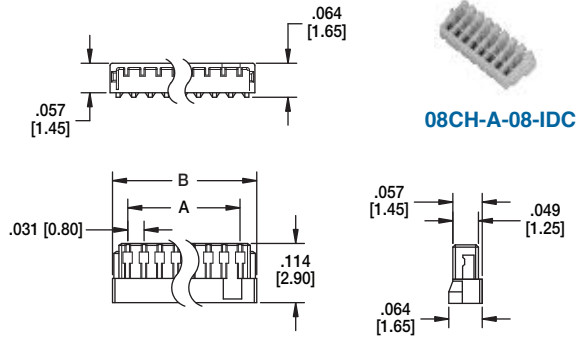
**ORDERING INFORMATION
CRIMP CONTACT**



OPTIONS:

Add designator(s) to end of part number
SMT = Surface mount leads with Hi-Temp insulator

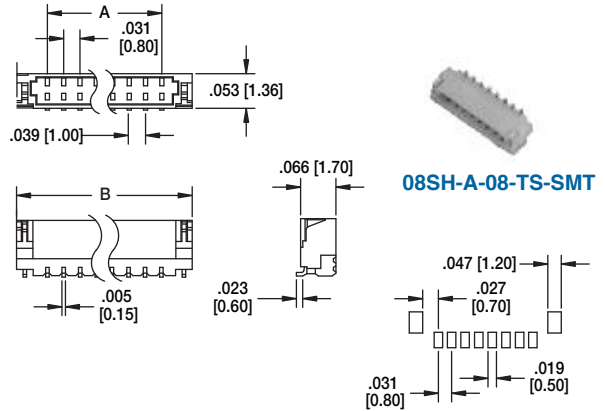
08CH-A-XX-ICD
0.8mm IDC HOUSING
WITH PRE-INSTALLED CONTACTS



08CH-A-08-ICD

A=.031 [0.80] X No. of Positions -1
B=.031 [0.80] X No. of Positions + .031 [0.80]

08SH-A-XX-TS-SMT
0.8mm VERTICAL SMT HEADER

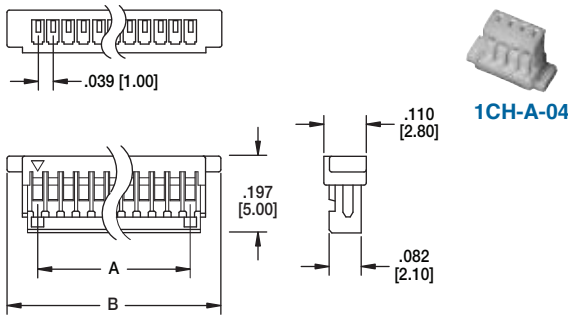


08SH-A-08-TS-SMT

A=.031 [0.80] X No. of Positions -1
B=.031 [0.80] X No. of Positions + .031 [0.80]

Recommended PCB Layout

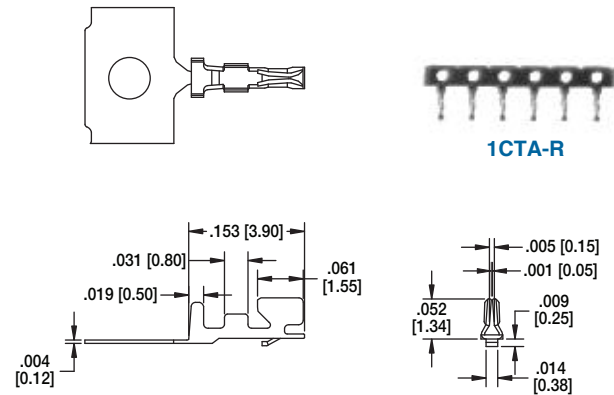
1CH-A-XX
1.00mm CRIMP HOUSING



1CH-A-04

A=.039 [1.00] X No. of Positions -1
B=.039 [1.00] X No. of Positions + .118 [3.00]

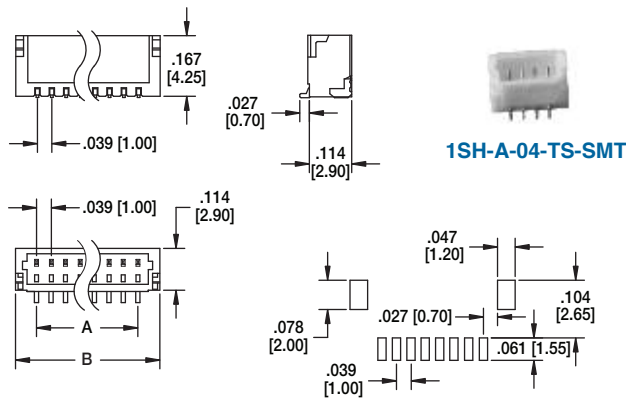
1CTA-R
1.00mm TERMINAL



1CTA-R

Recommended wire size 32-28 awg.

1SH-A-XX-TS-SMT
1.00mm VERTICAL SMT HEADER

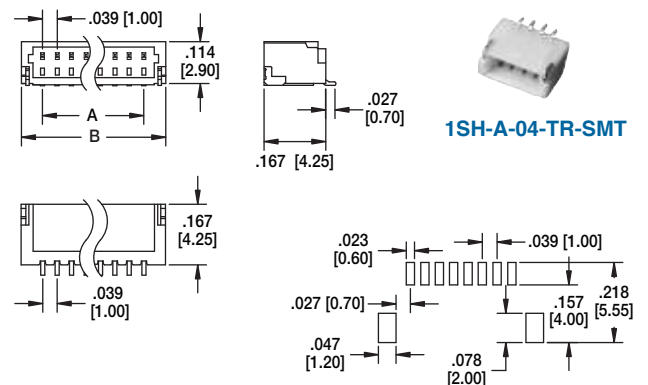


1SH-A-04-TS-SMT

A=.039 [1.00] X No. of Positions -1
B=.039 [1.00] X No. of Positions + .078 [2.00]

Recommended PCB Layout

1SH-A-XX-TR-SMT
1.00mm RIGHT ANGLE SMT HEADER



1SH-A-04-TR-SMT

A=.039 [1.00] X No. of Positions -1
B=.039 [1.00] X No. of Positions + .078 [2.00]

Recommended PCB Layout

125CH-A-XX
1.25mm CRIMP HOUSING

125CH-A-10

A=.049 [1.25] X No. of Positions -1
B=.049 [1.25] X No. of Positions + .068 [1.75]

125CTA-R
1.25mm CRIMP TERMINAL

125CTA-R

Recommended wire size 32-28 awg.

125SH-A-XX-TS
1.25mm VERTICAL HEADER

125SH-A-04-TS

A=.049 [1.25] X No. of Positions -1
B=.049 [1.25] X No. of Positions + .068 [1.75]

125SH-A-XX-TR
1.25mm RIGHT ANGLE HEADER

125SH-A-04-TR

A=.049 [1.25] X No. of Positions -1
B=.049 [1.25] X No. of Positions + .068 [1.75]

125SH-A-XX-TS-SMT
1.25mm VERTICAL SMT HEADER

125SH-A-04-TS-SMT

Recommended PCB Layout

125SH-A-XX-TR-SMT
1.25mm RIGHT ANGLE SMT HEADER

125SH-A-04-TR-SMT

Recommended PCB Layout

<p>125CH-B-XX 1.25mm CRIMP HOUSING</p> <p>125CH-B-10</p> <p>A=.049 [1.25] X No. of Positions -1 B=.049 [1.25] X No. of Positions + .017 [0.45] C=.049 [1.25] X No. of Positions + .068 [1.75]</p>	<p>125CTB-R 1.25mm CRIMP TERMINAL</p> <p>125CTB-R</p> <p>Recommended wire size 32-28 awg.</p>
<p>125SH-B-XX-TS 1.25mm VERTICAL HEADER</p> <p>125SH-B-04-TS</p> <p>Recommended PCB Layout</p> <p>A=.049 [1.25] X No. of Positions -1 B=.049 [1.25] X No. of Positions + .068 [1.75]</p>	<p>125SH-B-XX-TS-SMT 1.25mm VERTICAL SMT HEADER</p> <p>125SH-B-04-TS-SMT</p> <p>Recommended PCB Layout</p> <p>A=.049 [1.25] X No. of Positions -1 B=.049 [1.25] X No. of Positions + .068 [1.75] C=.049 [1.25] X No. of Positions + .202 [5.15]</p>
<p>125SH-B-04-TR-SMT</p> <p>125SH-B-04-TR-SMT</p> <p>Recommended PCB Layout</p> <p>A=.049 [1.25] X No. of Positions -1 B=.049 [1.25] X No. of Positions + .068 [1.75] C=.049 [1.25] X No. of Positions + .187 [4.75]</p>	<p>125SH-B-XX-TR-SMT 1.25mm RIGHT ANGLE SMT HEADER</p> <p>125SH-B-XX-TR-SMT</p> <p>Recommended PCB Layout</p> <p>A=.049 [1.25] X No. of Positions -1 B=.049 [1.25] X No. of Positions + .068 [1.75] C=.049 [1.25] X No. of Positions + .187 [4.75]</p>

125CH-C-XX
1.25mm CRIMP HOUSING

125CH-C-05

A=.049 [1.25] X No. of Positions -1
B=.049 [1.25] X No. of Positions + .065 [1.65]

125CTC-R
1.25mm CRIMP TERMINAL

125CTC-R

Recommended wire size 28-32 awg.

125SH-C-XX-TS
1.25mm VERTICAL HEADER

125SH-C-05-TS

Recommended PCB Layout

A=.049 [1.25] X No. of Positions -1
B=.049 [1.25] X No. of Positions + .049 [1.25]

125SH-C-XX-TR
1.25mm RIGHT ANGLE HEADER

125SH-C-05-TR

Recommended PCB Layout

A=.049 [1.25] X No. of Positions -1
B=.049 [1.25] X No. of Positions + .049 [1.25]

125SH-C-XX-TS-SMT
1.25mm VERTICAL SMT HEADER

125SH-C-06-TS-SMT

Recommended PCB Layout

A=.049 [1.25] X No. of Positions -1
B=.049 [1.25] X No. of Positions + .065 [1.65]
C=.049 [1.25] X No. of Positions + .124 [3.15]

125SH-C-XX-TR-SMT
1.25mm RIGHT ANGLE SMT HEADER

125SH-C-08-TR-SMT

Recommended PCB Layout

A=.049 [1.25] X No. of Positions -1
B=.049 [1.25] X No. of Positions + .065 [1.65]
C=.049 [1.25] X No. of Positions + .124 [3.15]

<p>15CH-A-XX 1.5mm CRIMP HOUSING</p> <p>15CH-A-10</p> <p>A=.060 [1.50] X No. of Positions -1 B=.060 [1.50] X No. of Positions + .059 [1.50]</p>	<p>15CTA-R 1.5mm CRIMP TERMINAL</p> <p>15CTA-R</p> <p>Recommended wire size 26-30 awg.</p>
<p>15SH-A-XX-TS 1.5mm VERTICAL HEADER</p> <p>15SH-A-04-TS</p> <p>Recommended PCB Layout</p> <p>A=.019 [0.50] X NO. of Positions -1 B=.019 [0.50] X NO. OF SPACES +.059 [1.50]</p>	<p>15SH-A-XX-TR 1.5mm RIGHT ANGLE HEADER</p> <p>15SH-A-04-TR</p> <p>Recommended PCB Layout</p> <p>A=.019 [0.50] X NO. of Positions -1 B=.019 [0.50] X NO. OF SPACES +.059 [1.50]</p>
<p>15SH-A-XX-TS-SMT 1.5mm VERTICAL SMT HEADER</p> <p>15SH-A-04-TS-SMT</p> <p>Recommended PCB Layout</p> <p>A=.060 [1.50] X No. of Positions -1 C=.060 [1.50] X No. of Positions + .118 [3.00]</p>	<p>15SH-A-XX-TR-SMT 1.5mm RIGHT ANGLE SMT HEADER</p> <p>15SH-A-04-TR-SMT</p> <p>Recommended PCB Layout</p> <p>A=.060 [1.50] X No. of Positions -1 C=.060 [1.50] X No. of Positions + .118 [3.00]</p>

<p>15CH-B-XX 1.5mm CRIMP HOUSING</p> <p>15CH-B-05</p> <p>A = .059 [1.50] X No. of Positions -1 B = .059 [1.50] X No. of Positions + .043 [1.10]</p>	<p>Recommended wire size 28-24 awg.</p> <p>15CTB-R 1.5mm CRIMP TERMINAL</p> <p>15CTB-R</p>
<p>15SH-B-XX-TS-SMT 1.5mm VERTICAL SMT HEADER</p> <p>15SH-B-04-TS-SMT</p> <p>A = .059 [1.50] X No. of Positions -1 B = .059 [1.50] X No. of Positions + .051 [1.30]</p> <p>Recommended PCB Layout</p>	<p>15SH-B-XX-TR-SMT 1.5mm RIGHT ANGLE SMT HEADER</p> <p>15SH-B-04-TR-SMT</p> <p>A = .059 [1.50] X No. of Positions -1 B = .059 [1.50] X No. of Positions + .051 [1.30]</p> <p>Recommended PCB Layout</p>
<p>2CH-B-XX 2mm CRIMP HOUSING</p> <p>2CH-B-10</p> <p>Positions: 2 thru 15 A = .079 [2.00] x No. of Positions -1 B = .079 [2.00] x No. of Positions + .063 [1.60]</p>	<p>Recommended wire size 28-22 awg.</p> <p>2CTB 2mm CRIMP TERMINAL</p> <p>2CTB-R</p>
<p>2SH-B-XX-TS 2mm VERTICAL HEADER</p> <p>2SH-B-10-TS</p> <p>A = .079 [2.00] x No. of Positions -1 B = .079 [2.00] x No. of Positions + .078 [2.00]</p> <p>Recommended PCB Layout</p>	<p>2SH-B-XX-TR 2mm RIGHT ANGLE HEADER</p> <p>2SH-B-10-TR</p> <p>A = .079 [2.00] x No. of Positions -1 B = .079 [2.00] x No. of Positions + .078 [2.00]</p> <p>Recommended PCB Layout</p>

Mouser Electronics

Authorized Distributor

Click to View Pricing, Inventory, Delivery & Lifecycle Information:

ADAM TECH:

[15SH-A-04-TR](#) [15SH-A-04-TS](#) [15SH-A-05-TR](#) [15SH-A-05-TS](#) [15SH-A-06-TR](#) [15SH-A-06-TS](#) [2SH-C-02-TR](#) [2SH-C-02-TR-SMT](#) [2SH-C-02-TS](#) [2SH-C-02-TS-SMT](#) [2SH-C-03-TR](#) [2SH-C-03-TR-SMT](#) [2SH-C-03-TS](#) [2SH-C-03-TS-SMT](#) [2SH-C-04-TR](#) [2SH-C-04-TR-SMT](#) [2SH-C-04-TS](#) [2SH-C-04-TS-SMT](#) [2SH-C-06-TR](#) [2SH-C-06-TR-SMT](#) [2SH-C-06-TS](#) [2SH-C-06-TS-SMT](#)