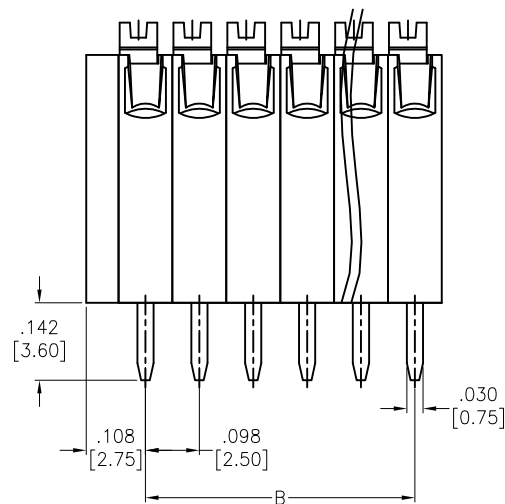
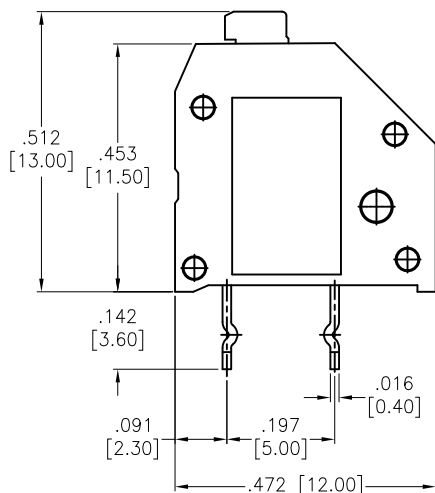
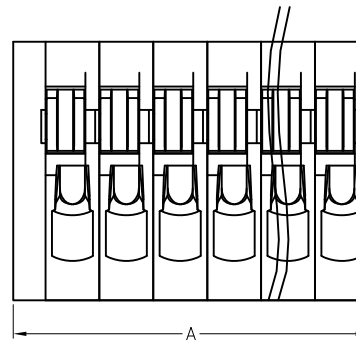
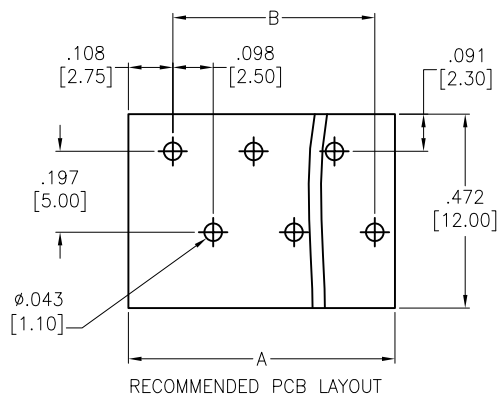


APPROVED: \_\_\_\_\_

DATE: \_\_\_\_\_ TITLE: \_\_\_\_\_

Rev	AWO #	Description	Date	Appr
-		RELEASED	7/6/16	
A		UPDATE DRAWING	8/31/20	AY/KC



Positions: 01 thru 30

A = .098 [2.50] x No. of Positions + .059 [1.50]

B = .098 [2.50] x No. of Space

**SPECIFICATIONS:**

Material:  
 Insulator: PA66, rated UL 94V-0  
 Insulator color: Grey  
 Contact: Copper Alloy, Tin plated  
 Electrical:  
 Voltage rating: 300V  
 Current rating: 4A  
 Dielectric withstanding voltage: 1600V for 1 minute  
 Mechanical:  
 Wire range: 28~20 AWG  
 Strip length: 8.5-9.5 mm  
 Temperature Rating:  
 Operating temperature: -40°C to +105°C  
 Environmental:  
 Lead free, RoHS compliant.



UNLESS OTHERWISE SPECIFIED ALL DIMENSIONS ARE INCHES [MM] TOLERANCES: EXCEPT AS NOTED INCHES HOLES .X ± .10 Ø.X ± .10 .XX ± .020 Ø.XX ± .015 .XXX ± .015 Ø.XXX ± .010		<b>ADAM TECH</b> INTERCONNECTS		909 Rahway Avenue, Union, NJ 07083 Phone: 908-687-5000 Fax: 908-687-5710	
APPROVALS		DATE		TITLE	
DRAWN	AY	7/6/16		EURO BLOCK, .098 [2.50] PITCH, WITH END COVER	
CHECKED	YC	7/6/16		DOUBLE ROW CENTER CONTACT LINK	
APPROVED		SIZE	PART NO.	REV.	
		X	EB59A-XX-V	A	
REF: S00067C		SCALE: NTS	SHEET 1 OF 1		

# Mouser Electronics

Authorized Distributor

Click to View Pricing, Inventory, Delivery & Lifecycle Information:

[Adam Tech:](#)

[EB59A-04-V](#) [EB59A-02-V](#) [EB59A-05-V](#) [EB59A-03-V](#)