



TAOGLAS®



Datasheet

Part No:
GPSFB356.A

Description

Multiband GNSS Single Feed 35 x 35 x 6mm Stacked Patch
With GPS L1 / L2, GLONASS G1 and BeiDou B1

Features:

GPS/GLONASS/BeiDou Single Feed Stacked Patch
Covering: L1:1575MHz
L2:1227.6MHz
B1:1561MHz
G1:1602MHz
Dims: 35 x 35 x 6.12mm
RoHS & Reach Compliant

1.	Introduction	3
2.	Specification	4
3.	Mechanical Drawing	6
4.	Packaging	7
5.	Antenna Characteristics	8
6.	Radiation Patterns	12
<hr/>		
	Changelog	??

Taoglas makes no warranties based on the accuracy or completeness of the contents of this document and reserves the right to make changes to specifications and product descriptions at any time without notice. Taoglas reserves all rights to this document and the information contained herein. Reproduction, use or disclosure to third parties without express permission is strictly prohibited.

Ireland & USA
ISO 9001:2015
Certified



Taiwan
ISO 9001:2015
Certified



1. Introduction



The Taoglas GPSFB356.A multiband GNSS stacked ceramic patch is a high-performance, precision engineered passive patch antenna covering GPS L1 and L2, Galileo E1 and GLONASS G1, and also the additional B1 BeiDou band. The base 35 x 35mm patch and the upper 25 x25mm patch have a single pin feed output that combines both L1 and L2 signals into one to simplify the overall design of the device receiver which lowers power consumption, saves on the number of electronic components which in turn saves on costs and reduces PCB space.

At just 6mm in height it is a great option for devices requiring a compact multiband GNSS patch. The GPSFB356.A exhibits very good gain and radiation pattern stability on both L1 and L2 bands, improved reliability of a GPS fix in urban areas, better receive signal reception with more satellites acquired, and a quicker time to first fix.

Typical applications include:

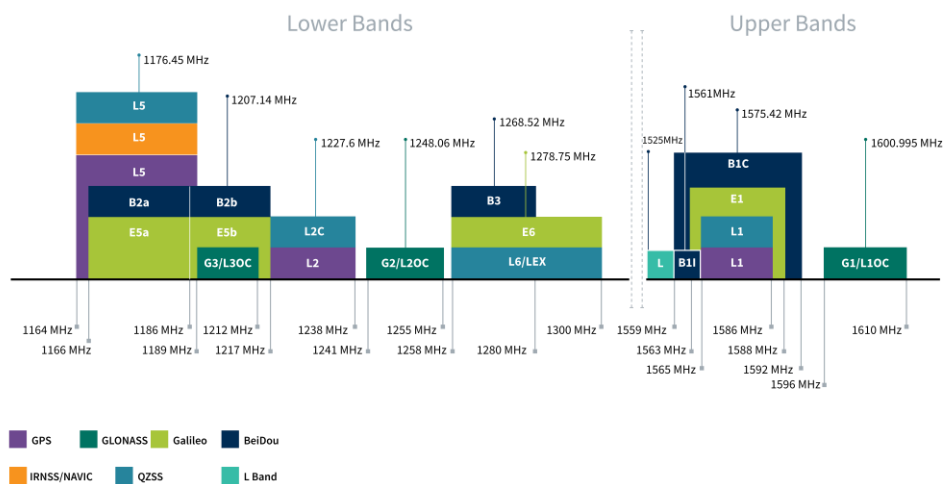
- High accuracy positioning and navigation systems
- UAVs, Robotics & Autonomous Vehicles
- Mapping & GIS
- Transportation & Telematics
- Precision Agriculture
- Public Safety, Search & Rescue
- RTK Systems

This patch is tuned specifically for a 70*70mm ground plane however patch antennas can also be tuned to customer-specific device environments, subject to NRE and MOQ. If active electronics are required, the GPSFB356.A can be combined with the Taoglas [TFM.100A](#) GNSS Front End Module that features a SAW/LNA/SAW/LNA topology in both the low and high band signal paths to prevent unwanted out-of-band interference from overdriving the GNSS LNAs or receiver. Including the active.

[Contact](#) your regional Taoglas customer support team to request these services or additional support to integrate and test this antenna's performance in your device.

2. Specification

GNSS Frequency Bands					
GPS	L1 1575.42 MHz	L2 1227.6 MHz	L5 1176.45 MHz		
	■	■	□		
GLONASS	G1 1602 MHz	G2 1248 MHz	G3 1207 MHz		
	■	□	□		
Galileo	E1 1575.24 MHz	E5a 1176.45 MHz	E5b 1201.5 MHz	E6 1278.75 MHz	
	■	□	□	□	
BeiDou	B1C 1575.42 MHz	B1I 1561 MHz	B2a 1176.45 MHz	B2b 1207.14 MHz	B3 1268.52 MHz
	■	■	□	□	□
L-Band	L-Band 1542 MHz				
	■				
QZSS (Regional)	L1 1575.42 MHz	L2C 1227.6 MHz	L5 1176.45 MHz	L6 1278.75e6	
	■	■	□	□	
IRNSS (Regional)	L5 1176.45 MHz				
	□				
SBAS	L1/E1/B1 1575.42 MHz	L5/B2a/E5a 1176.45 MHz	G1 1602 MHz	G2 1248 MHz	G3 1207 MHz
	■	□	■	□	□



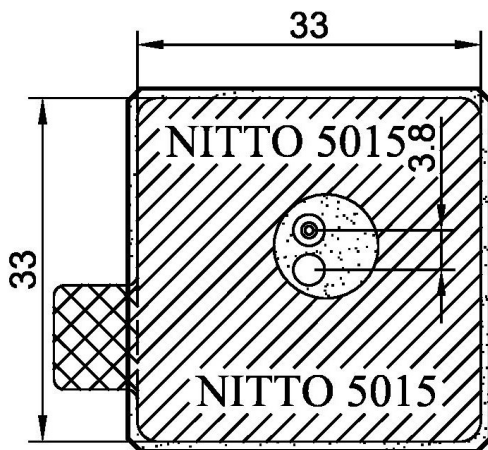
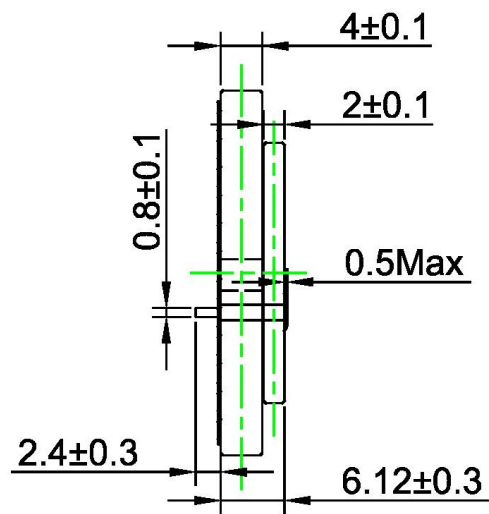
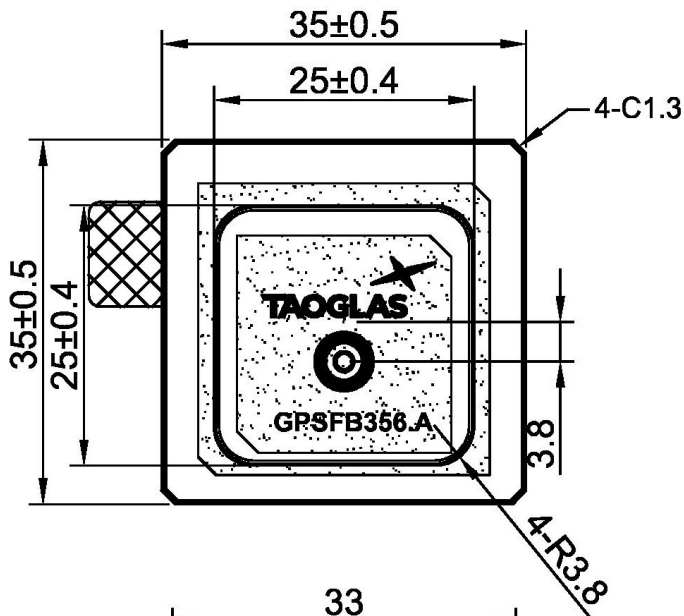
GNSS Bands and Constellations

GNSS Electrical				
Frequency (MHz)	1227.6	1561	1575.42	1603
VSWR (max.)	4:1	2:1	2:1	2:1
Passive Antenna Efficiency (%)	56.11	79.3	67.16	63.57
Passive Antenna Gain at Zenith (dBic)	3.54	3.02	3.19	3.19
Axial Ratio (dB)	9.03	17.09	11.49	11.96
Polarization	RHCP			
Impedance	50 Ω			

Mechanical	
Dimensions	35 x 35 x 6.12mm
Weight	20g
Material	Ceramic
Pin Length	2.4mm

Environmental	
Operation Temperature	-40°C to 85°C
Storage Temperature	-40°C to 85°C
Relative Humidity	Non-condensing 65°C 95% RH

3. Mechanical Drawing



 Adhesive Tape

 Silver

 Release paper

Tape No.: NITTO 5015

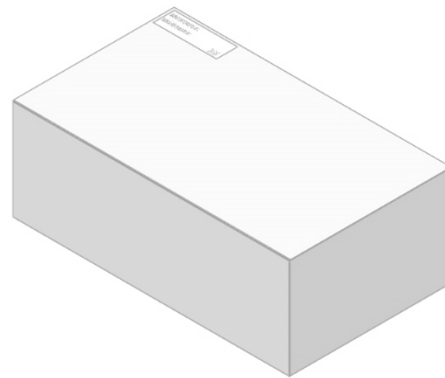
Unit :mm Tolerance: ±0.2

4. Packaging

12pc per tray
 6 Trays per vacuum package
 2 pcs desiccant 3g



72pcs per box
 Box dimensions: 261 x 15 x 118mm
 Weight: 1.9Kg



288pcs per carton
 Carton dimensions: 330 x 280 x 270mm
 Weight: 8.1Kg



5. Antenna Characteristics

5.1 Test Setup

AUT

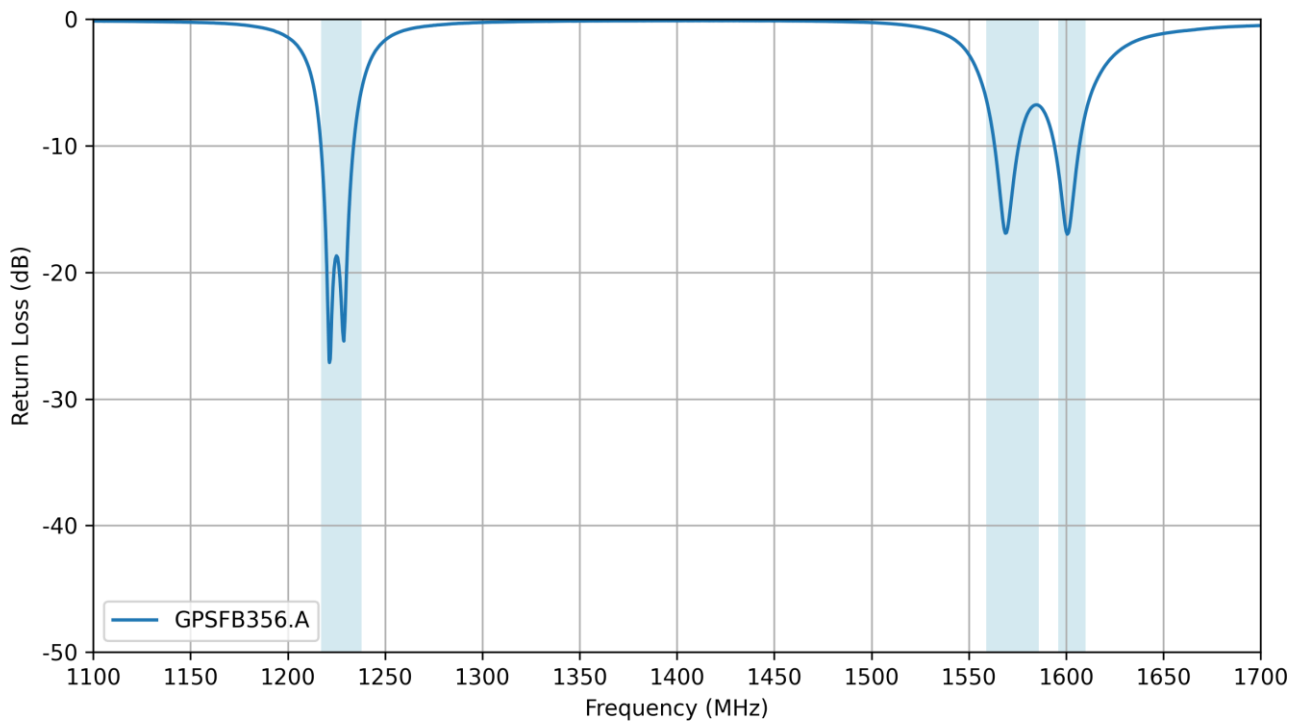


Vector Network Analyzer

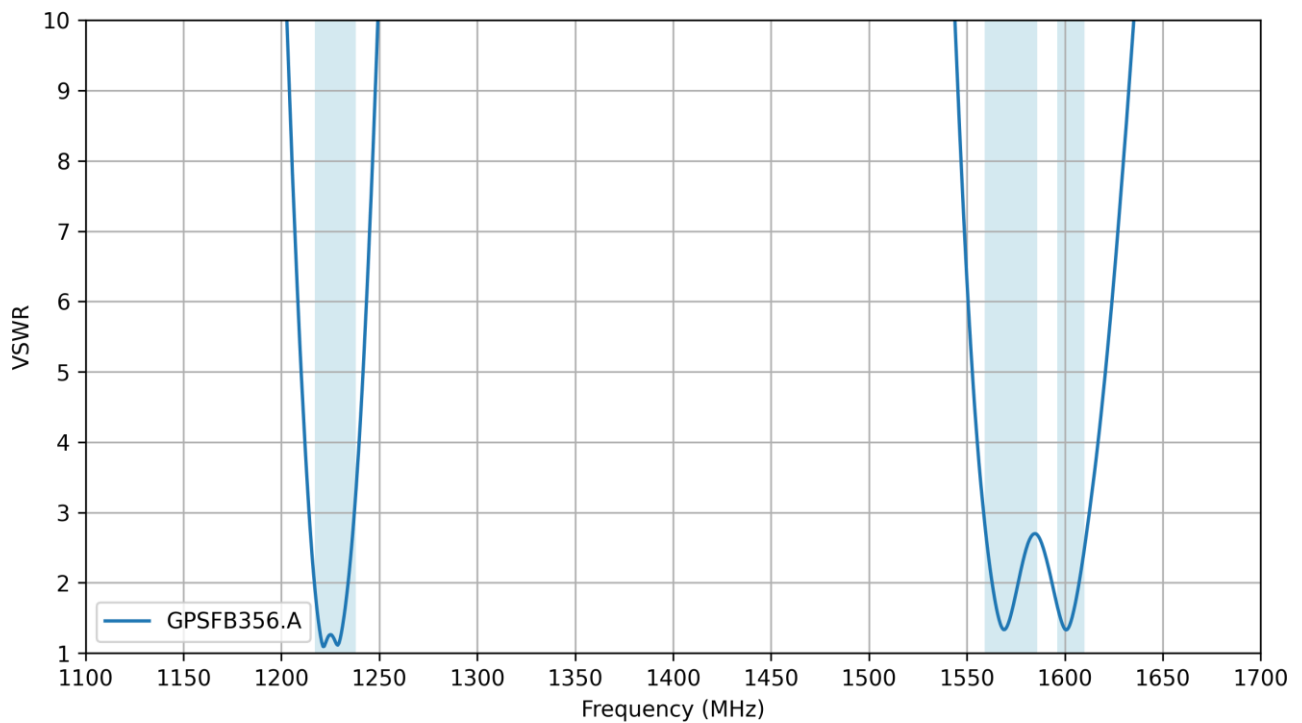


VNA Test Setup on a 70 x 70mm Ground Plane

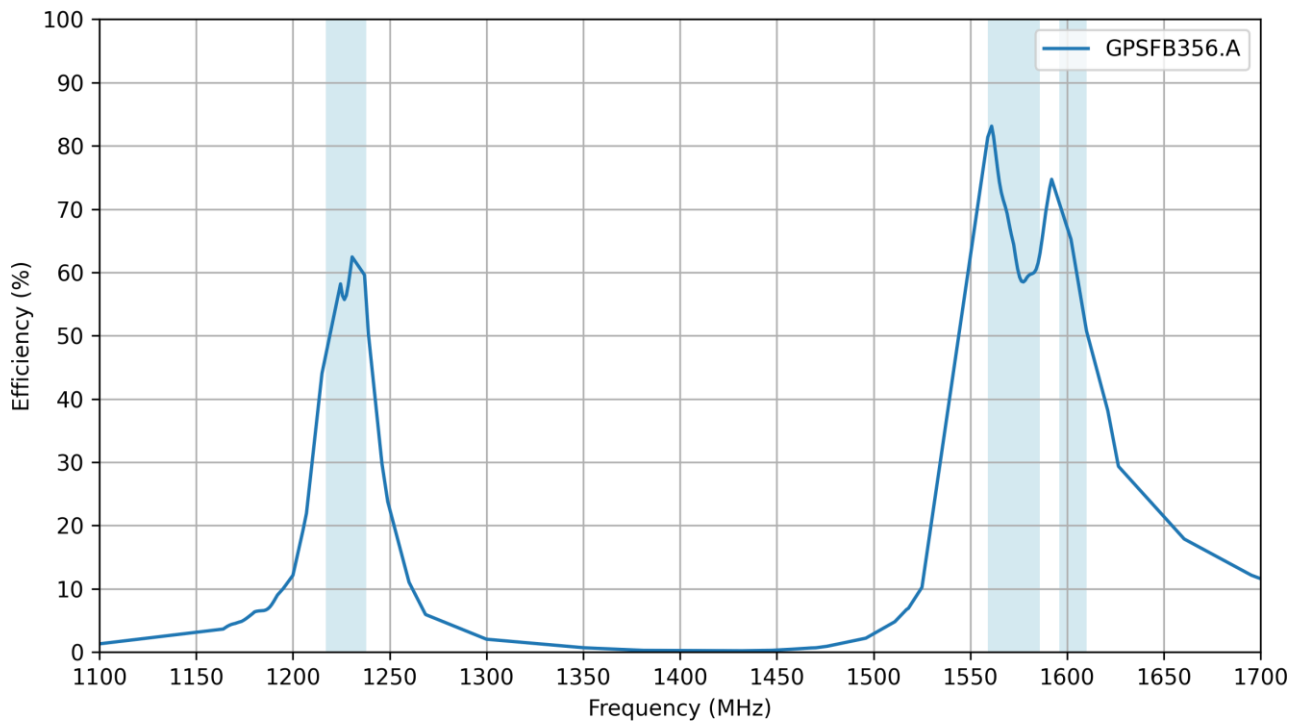
5.2 Return Loss



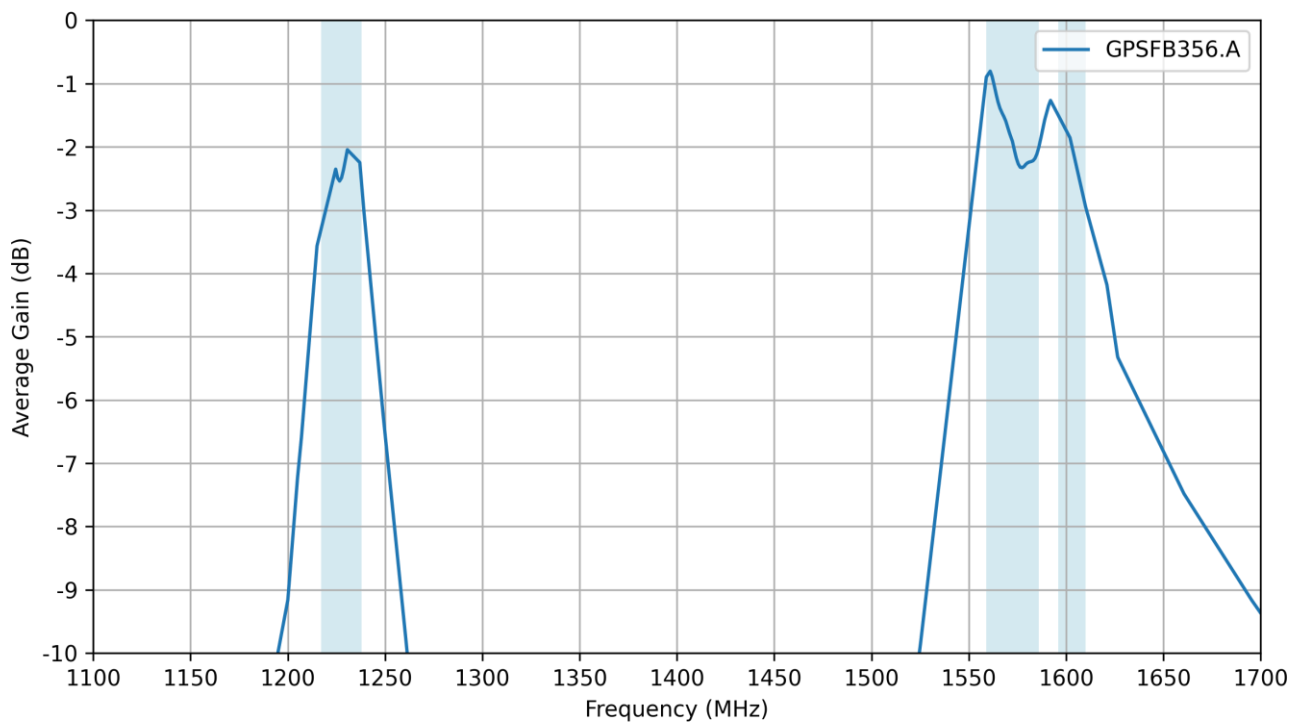
5.3 VSWR



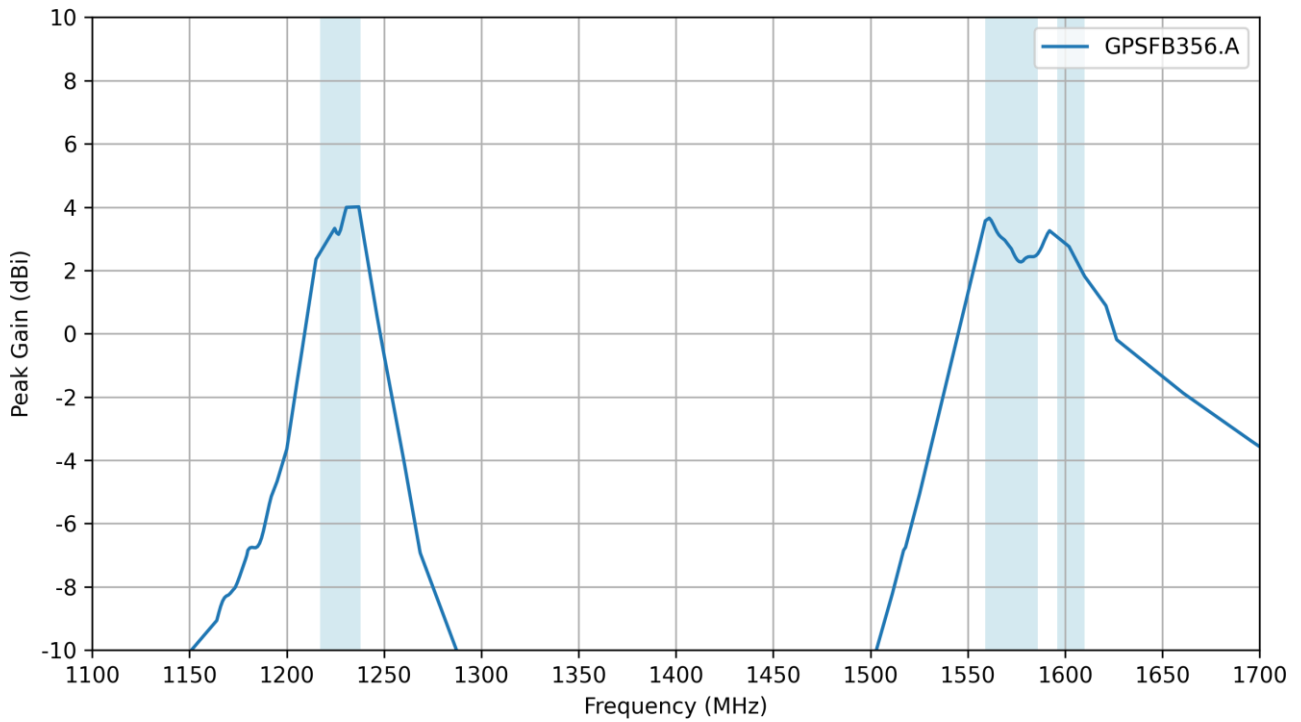
5.4 Efficiency



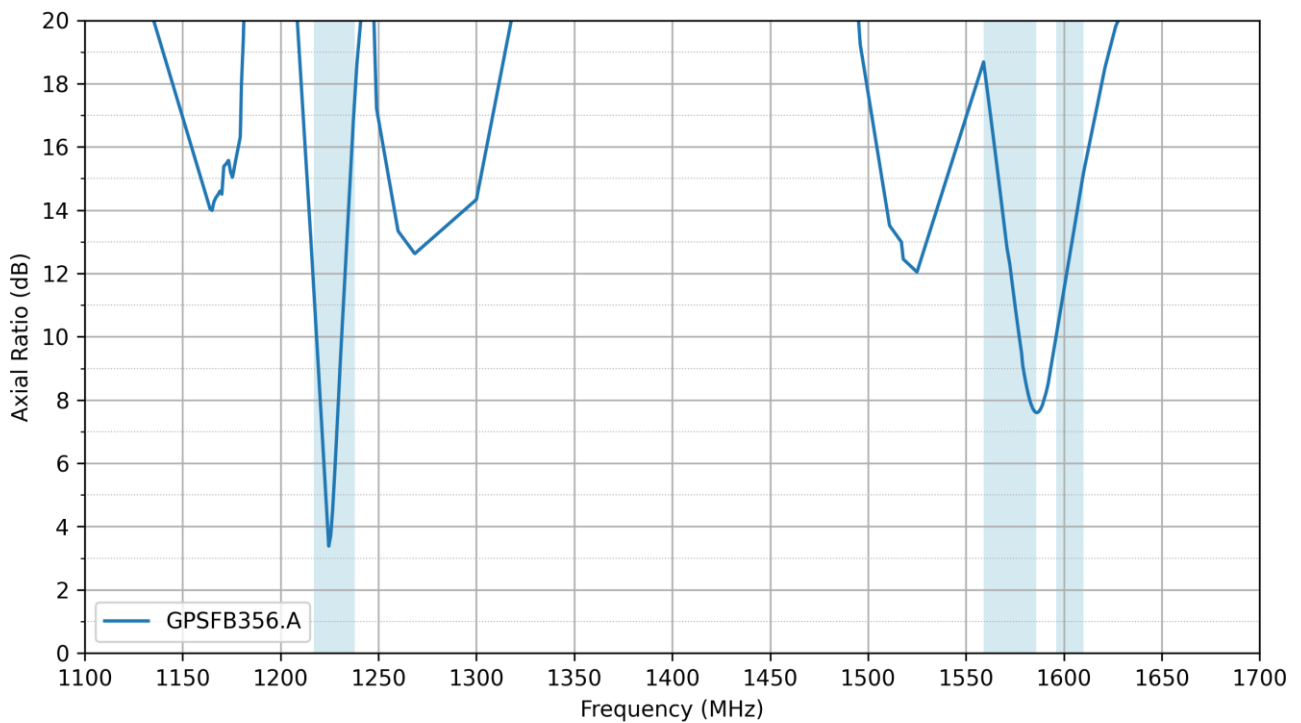
5.5 Average Gain



5.6 Peak Gain

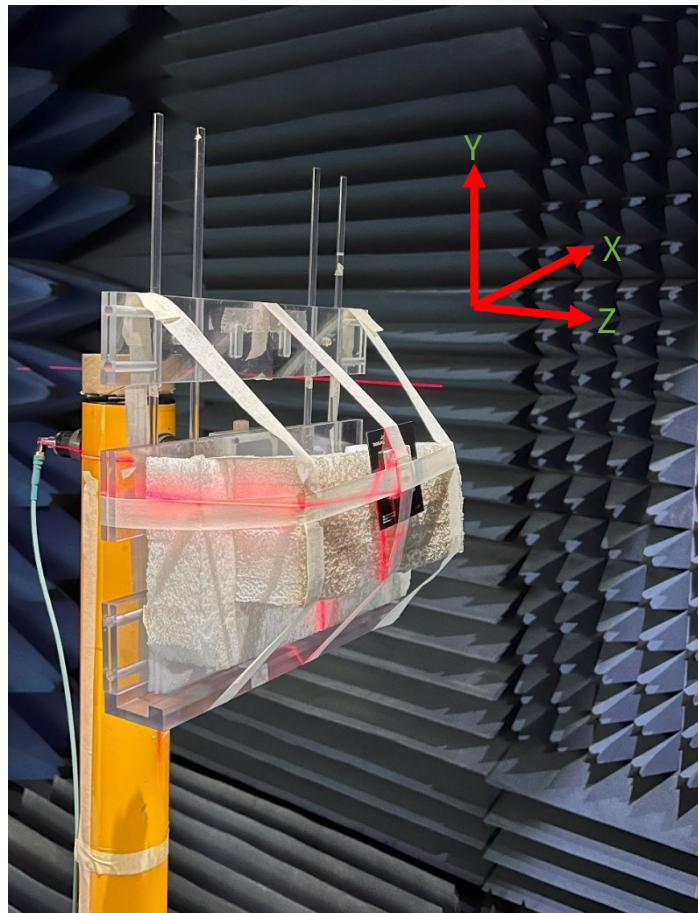
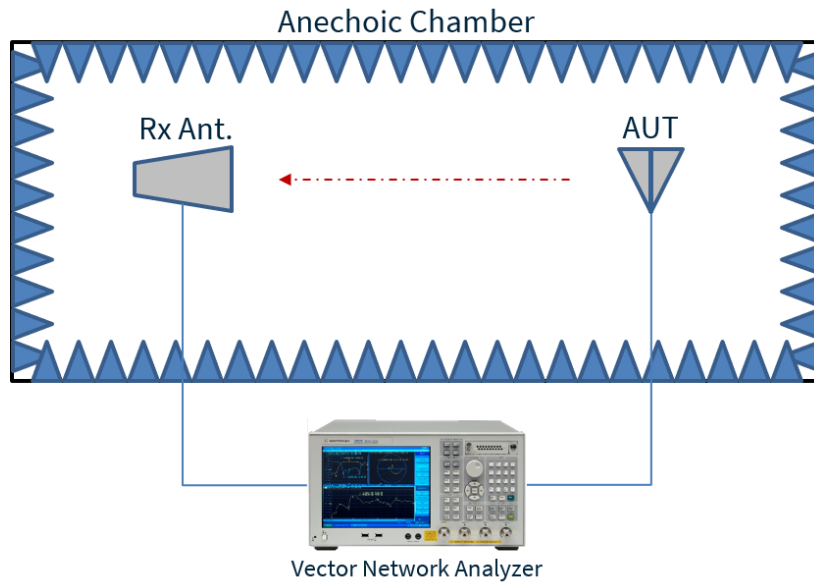


5.7 Axial Ratio



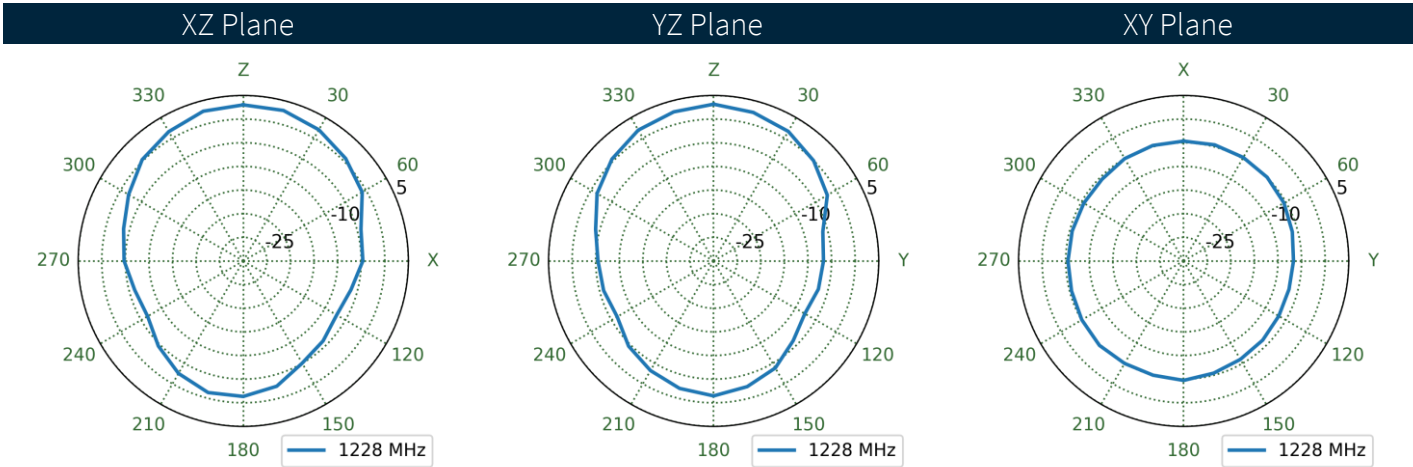
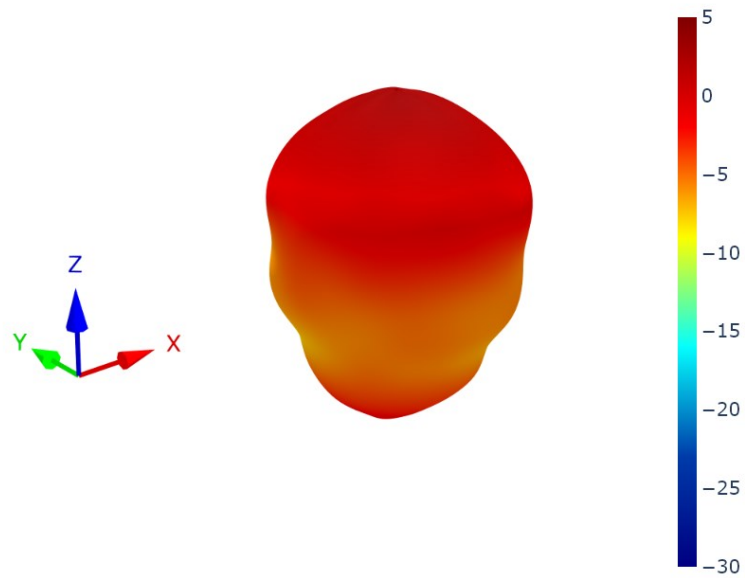
6. Radiation Patterns

6.1 Test Setup

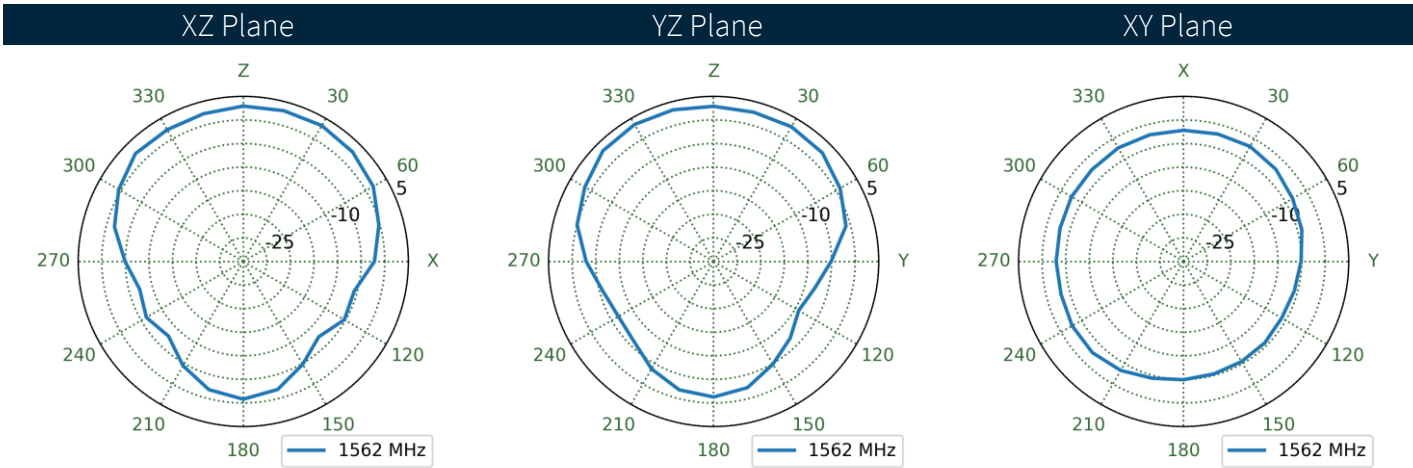
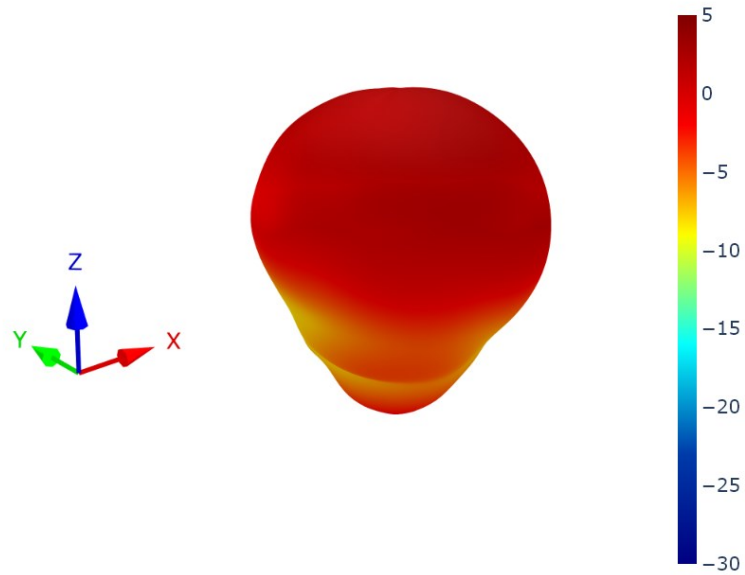


Chamber Test Set-up on a 70 x 70mm Ground Plane

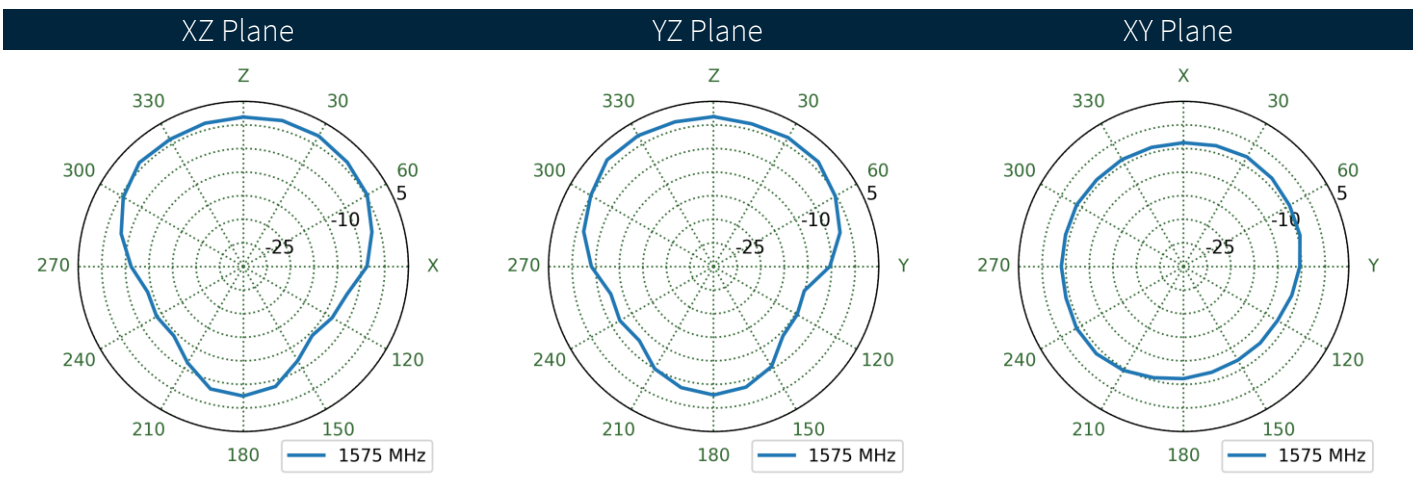
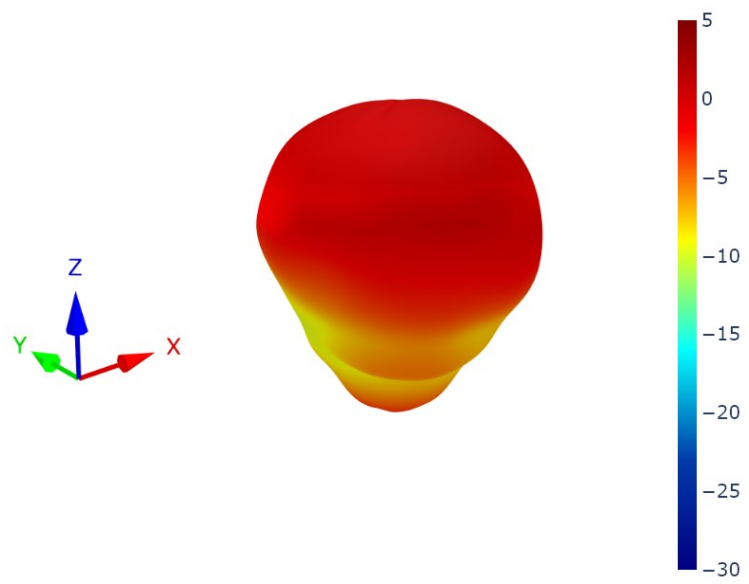
6.2 Patterns at 1228 MHz



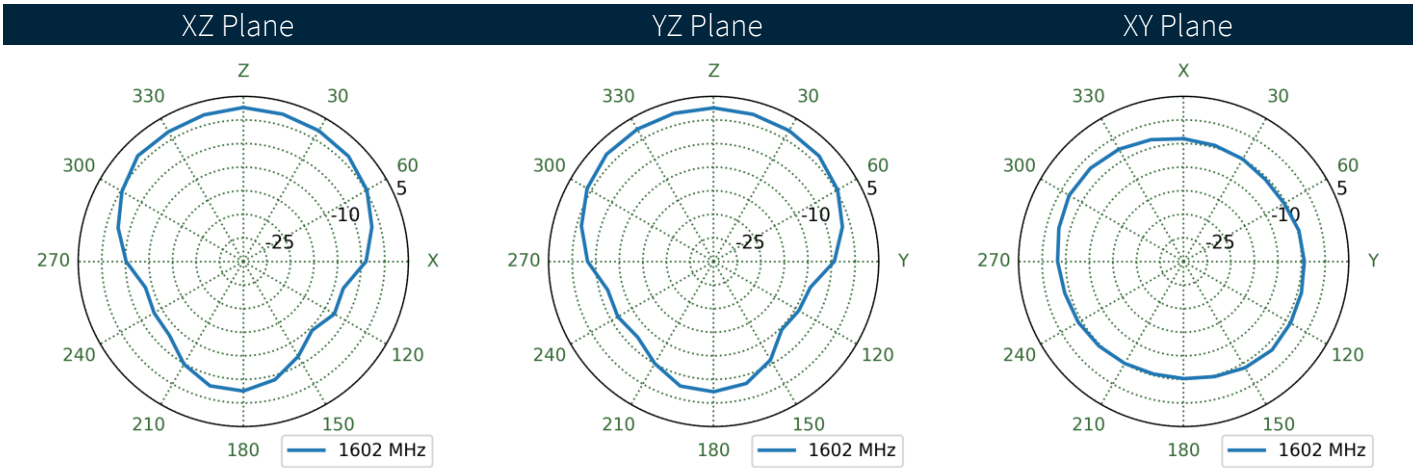
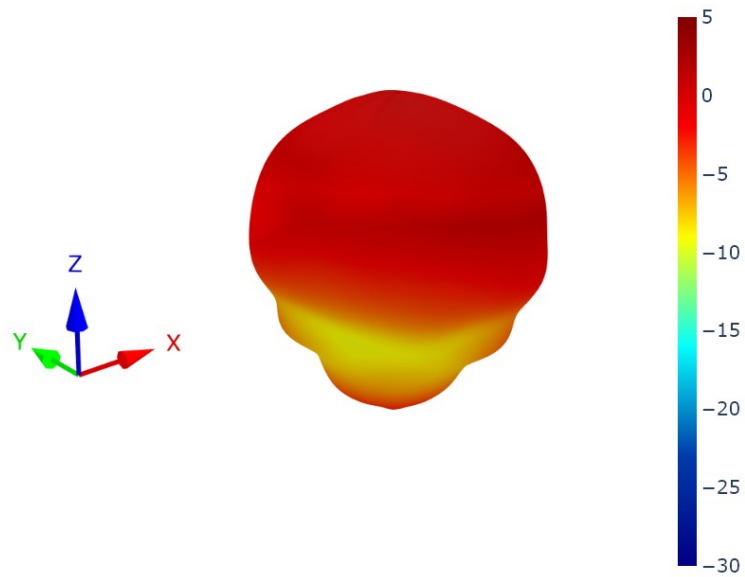
6.3 Patterns at 1562 MHz



6.4 Patterns at 1575 MHz



6.5 Patterns at 1602 MHz



Changelog for the datasheet

SPE-24-8-234 – GPSFB356.A

Revision: A (Initial Release)

Date:	2024-09-24
Notes:	Initial Datasheet Release
Author:	Gary West

Previous Revisions



www.taoglas.com



Mouser Electronics

Authorized Distributor

Click to View Pricing, Inventory, Delivery & Lifecycle Information:

[Taoglas:](#)

[GPSFBD356.A](#)