

SPECIFICATION

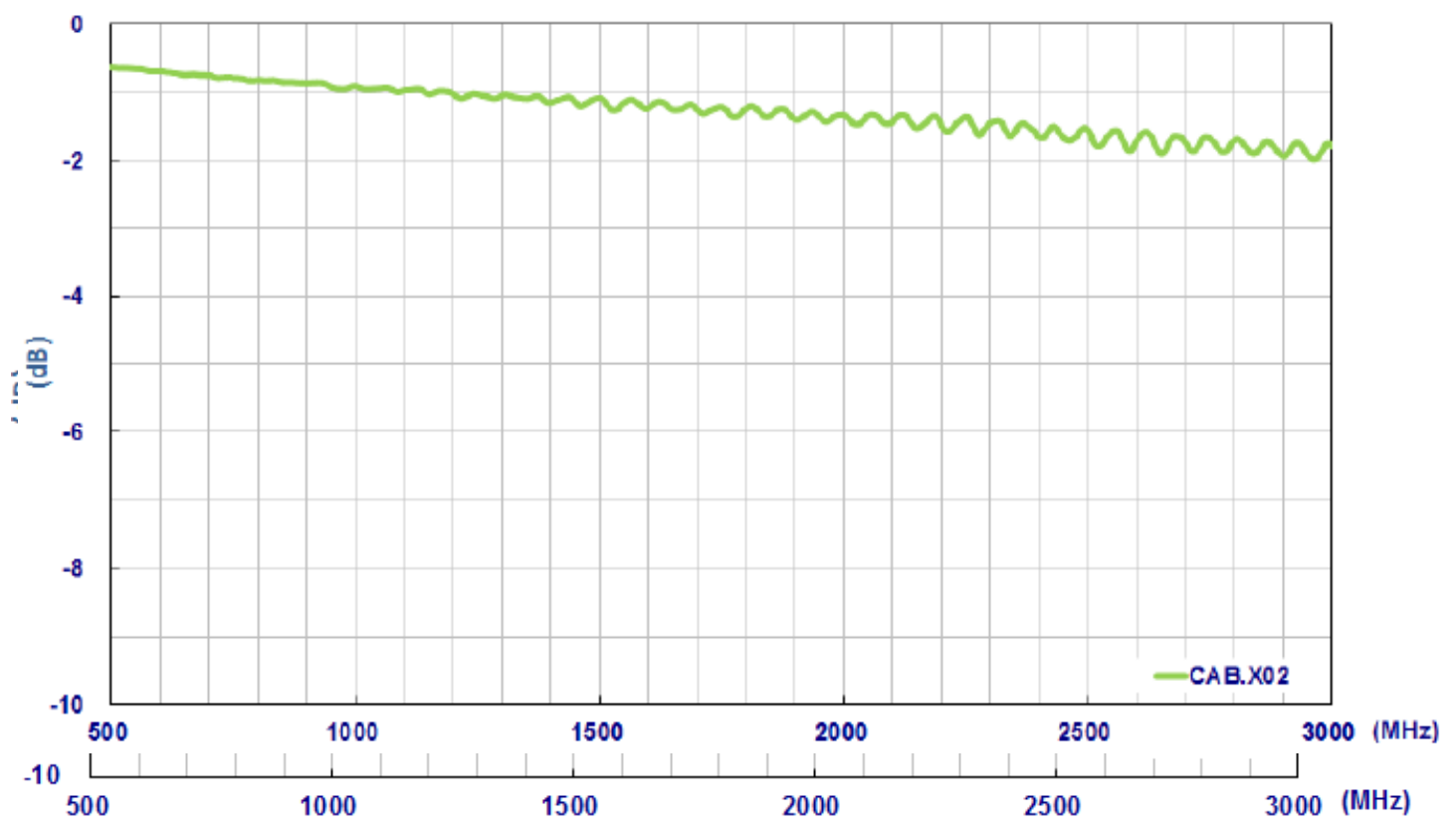
Part No. : **CAB.X02**

Product Name : Taoglas Magnet Mount Antenna Base with Cable
2M Low Loss CFD-200 cable
SMA(F) on base to SMA(M) Straight Plug on cable

Photo :

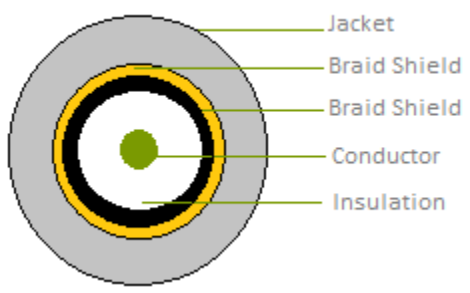


1. Cable Insertion Loss

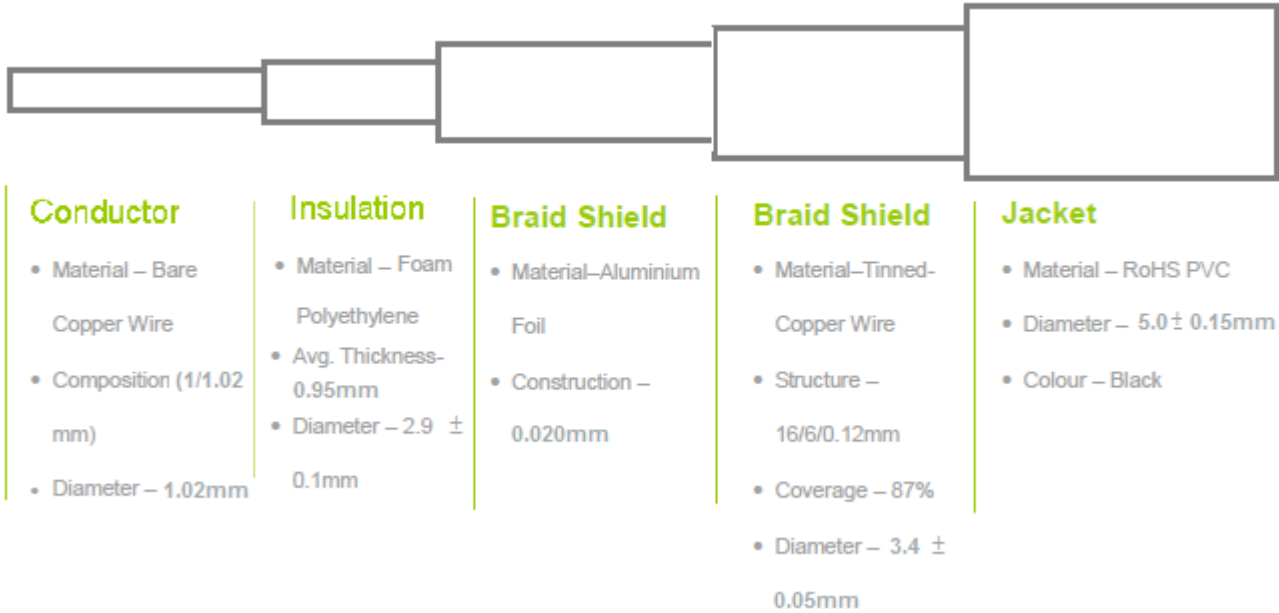


2. CFD-200 Cable Specification

2.1 Drawing – Cross Section



2.2 Structure and Dimensions

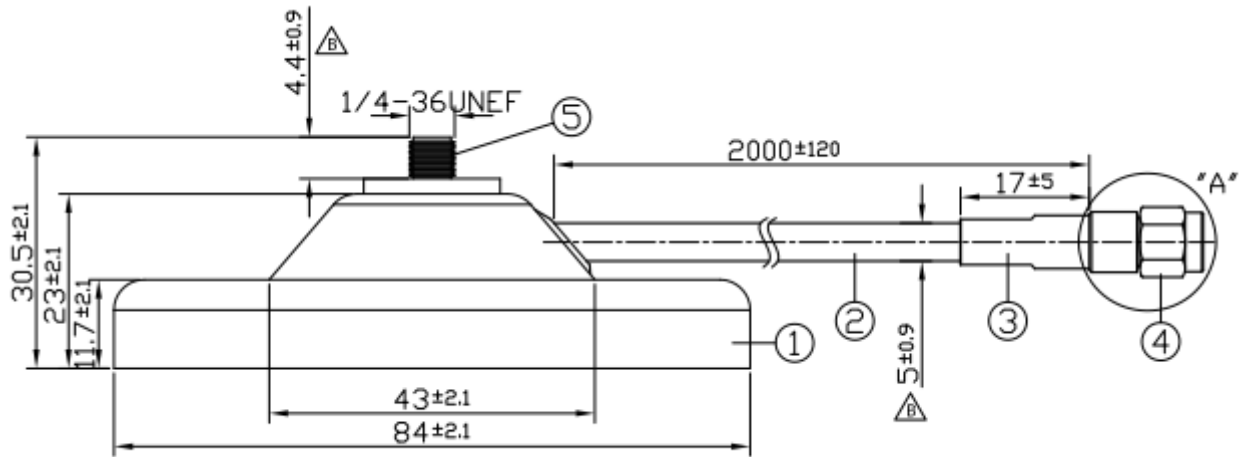


2.3 Electrical & Physical Specification

ELECTRICAL						
Attenuation	150MHz	450MHz	900MHz	1500MHz	1800MHz	2500MHz
dB/100M	12.1	21.6	31.2	41.1	45.3	54.4
Insulation Resistance	1000 MΩ-Km (Min)					
Capacitance	80.4 ± 3 pF/m					
Nom. Impedance	53 ± 3 Ω					
MECHANICAL						
Cable Type	CFD-200 coaxial cable					
Cable length	2 Meters					
Connectors	SMA(M) SMA(F) Magnet Mount Base					
Connector Max. Torque	0.9N·m					
Magnetic Pull Force	2.92kgf					
Weight	330g					
Magnet	Ferric Oxide					
ENVIRONMENTAL						
Temperature Range	-40°C to 85°C					
Humidity	Non-condensing 65°C 95% RH					

3. Technical Drawing

3.1 CAB.X02



	Name	Material	Finish	QTY
1	SMA(F) Magnet Mount	SPCC Steel	Black	1
2	CFD200 Coaxial Cable	PVC	Black	1
3	Heat Shrink Tube	PE	Black	1
4	SMA(M) ST	Brass	Gold	1
5	SMA(F) ST	Brass	Gold	1

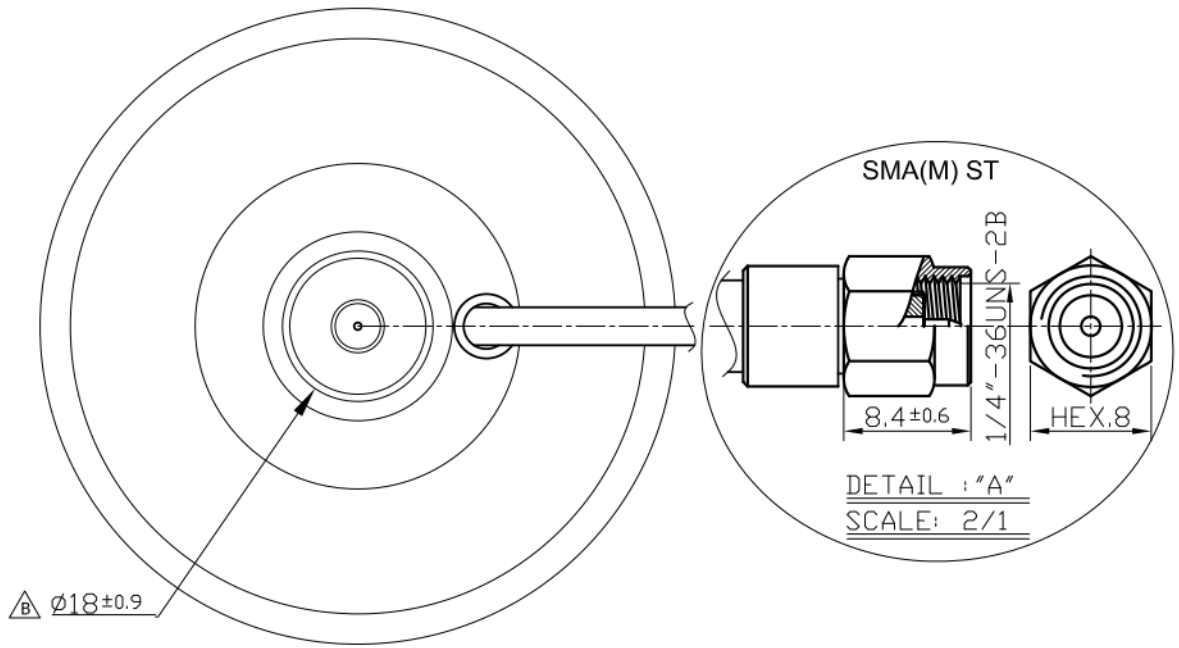
Note:

Minimum Bend Radius: 12.7mm

SMA Connector Recommended Torque for Mounting is 0.9N·m

Maxium Torque for Mounting is 1.176 N·m

3.2 Connectors

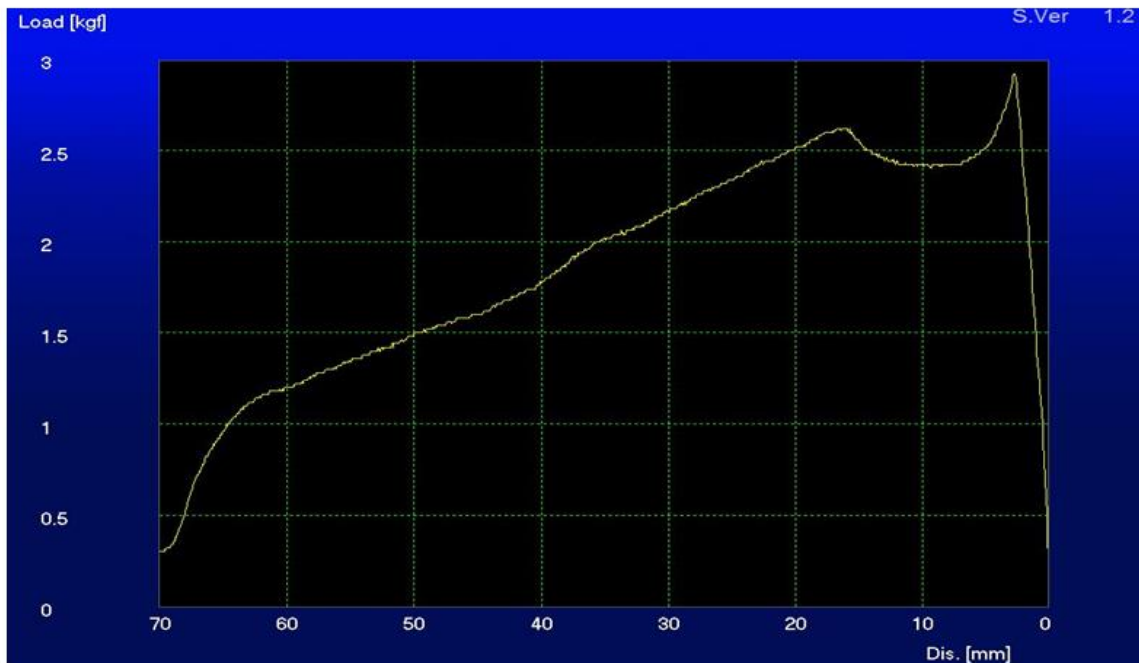


4. Magnetic Pull Force Limit (kilogram-force, kgf)

4.1 Testing setup

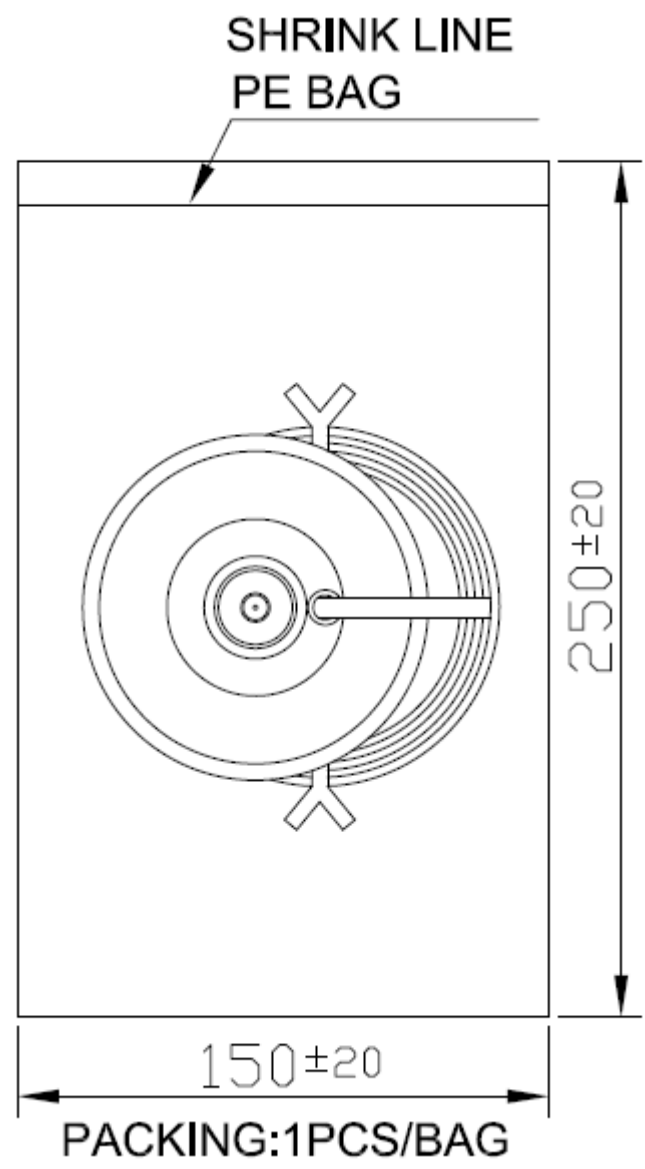


Distance(mm)	0.5	1.0	1.5	2.0	2.5	2.8	3.5	4.0	4.5	5.0
Pulling force(Kgf)	0.86	1.37	1.86	2.32	2.75	2.92	2.73	2.65	2.58	2.52
Distance(mm)	5.5	6.0	6.5	7.0	7.5	8.0	8.5	9.0	9.5	10.0
Pulling force(Kgf)	2.49	2.46	2.44	2.42	2.42	2.42	2.42	2.41	2.41	2.42



Maximum Pull Force : 2.92kgf

5. Packaging



Unit: mm

Mouser Electronics

Authorized Distributor

Click to View Pricing, Inventory, Delivery & Lifecycle Information:

[Taoglas:](#)

[CAB.X02](#)