

SPECIFICATION

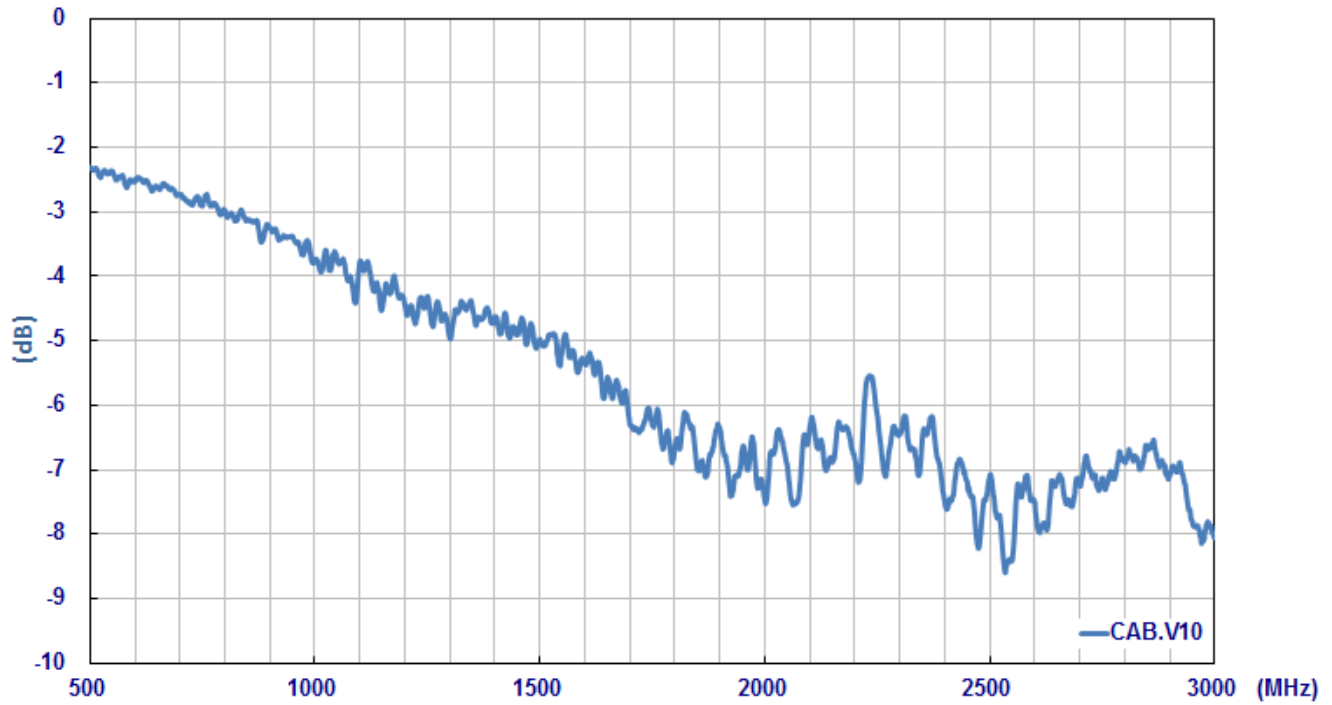
Part No. : **CAB.V10**

Product Name : Taoglas Cable Assembly
NMO Direct Mount - 3/4 inch Hole Brass Mount type to
SMA(M) Straight Plug
with 17ft(5182mm) RG-58U cable

Photo :

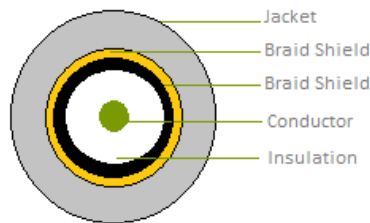


1. Cable Insertion Loss

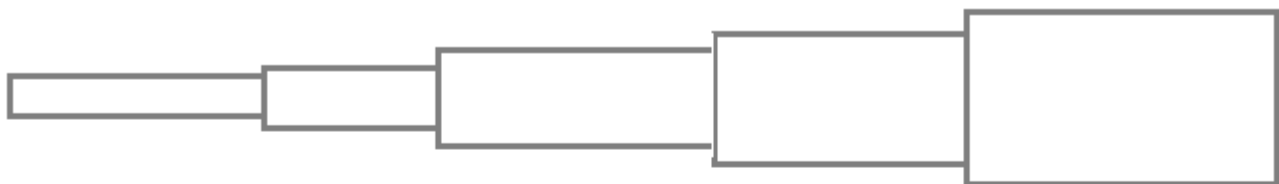


2. RG-58 Cable Specification

2.1 Drawing – Cross Section



2.2 Structure and Dimensions



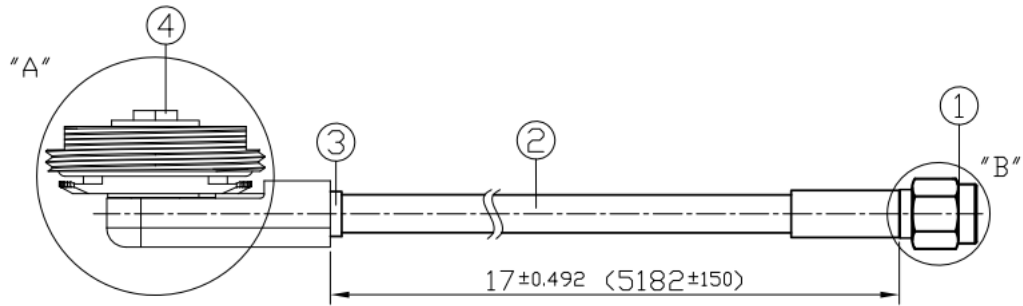
Conductor	Insulation	Braid Shield	Braid Shield	Jacket
<ul style="list-style-type: none"> Material – Bare Copper Wire Composition (1/1.02 mm) Diameter – 1.02mm 	<ul style="list-style-type: none"> Material – Foam Polyethylene Avg. Thickness- 0.95mm Diameter – 2.9 ± 0.1mm 	<ul style="list-style-type: none"> Material–Aluminium Foil Construction – 0.020mm 	<ul style="list-style-type: none"> Material–Tinned-Copper Wire Structure – 16/6/0.12mm Coverage – 87% Diameter – 3.4 ± 0.05mm 	<ul style="list-style-type: none"> Material – RoHS PVC Diameter – 5.0 ± 0.15mm Colour – Black

2.3 Electrical & Physical Specification

Insulation Resistance:	1000 MΩ-Km (Min)				
Capacitance	83 ± 3 pF/m				
Nom. Impedance	53 ± 3 Ω				
Attenuation (dB/100ft)	200MHz	400MHz	700MHz	900MHz	1000MHz
	4.66	6.32	8.45	9.67	10.2

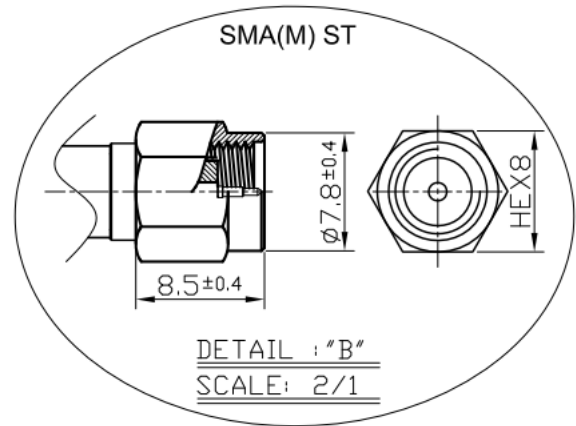
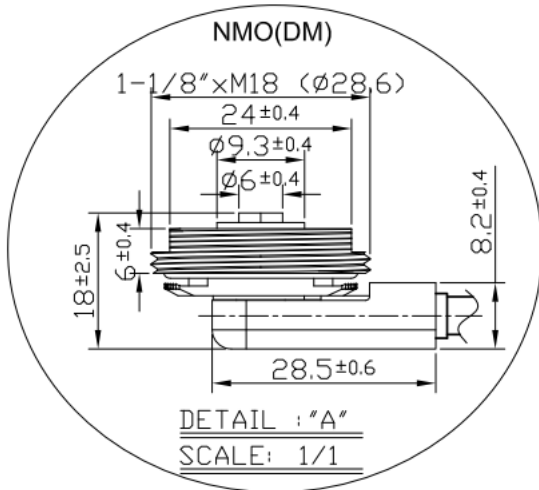
3. Technical Drawing

3.1 CAB.V10



	Name	Material	Finish	QTY
1	SMA(M) ST	Brass	Ni Plated	1
2	RG58 Coaxial Cable	PVC	Black	1
3	Heat Shrink Tube	PE	Black	1
4	NMO(DM)	Brass	Gold	1

3.2 Connectors



Mouser Electronics

Authorized Distributor

Click to View Pricing, Inventory, Delivery & Lifecycle Information:

[Taoglas:](#)

[CAB.V10](#)