

SPECIFICATION

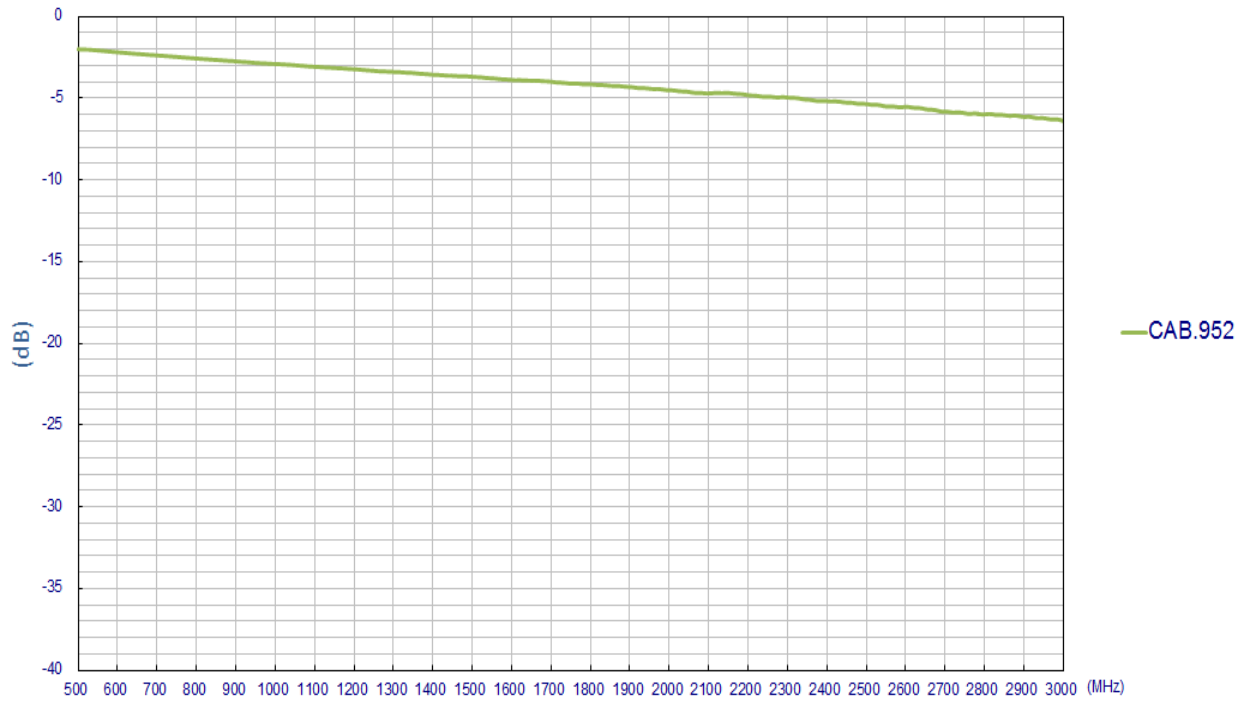
Part No. : **CAB.952**

Product Name : Taoglas Cable Assembly
N Type Jack with O-Ring to 3000mm(9.84') RG-316 to SMA(M)

Photo :

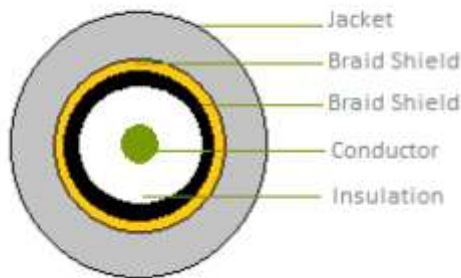


1. Cable Insertion Loss

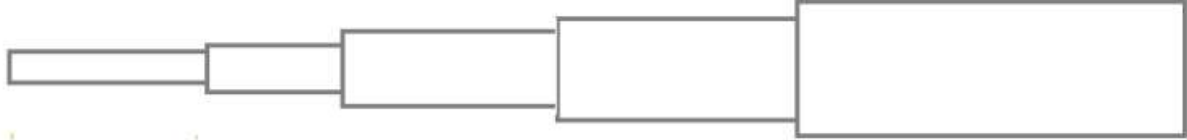


2. RG-316 Cable Specification

2.1 Drawing – Cross Section



2.2 Structure and Dimensions



Conductor	Insulation	Braid Shield	Braid Shield	Jacket
<ul style="list-style-type: none"> Material – Silver Coated Copper Clad Steel 26AWG(7/0.175mm) Diameter - 0.53mm 	<ul style="list-style-type: none"> Material – FEP Avg. Thickness- 0.51mm Diameter – 1.53 ± 0.03mm Colour - Clear 	<ul style="list-style-type: none"> Material-Silver -Coated Copper Structure – 16/5/0.10mm Coverage – 95% Diameter – 1.98 ± 0.05mm 	<ul style="list-style-type: none"> Material-Silver -Coated Copper Structure – 16/5/0.10mm Coverage – 86% Diameter – 2.38 ± 0.05mm 	<ul style="list-style-type: none"> Material – FEP Avg. Thickness- 0.30mm Diameter – 2.90 ± 0.10mm Colour – Brown

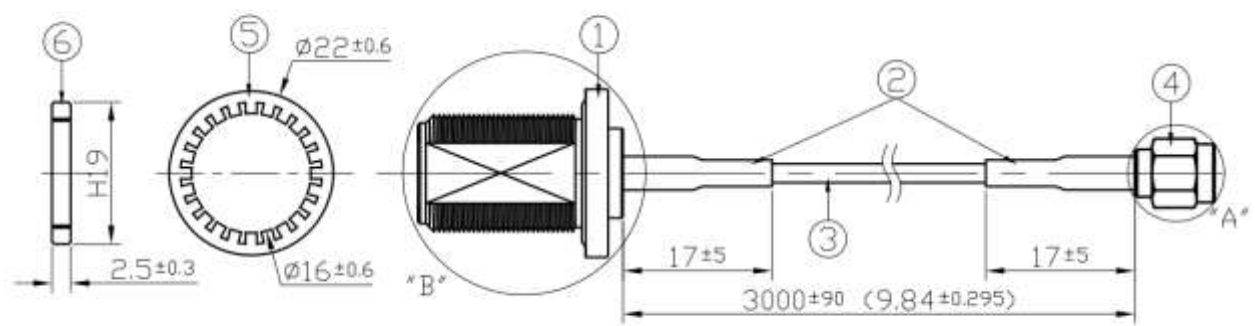
2.3 Electrical & Physical Specification

The Characteristic of RG316 Coaxial Cable

Rating Temp Voltage:	105°C 30V					
Insulation Resistance:	3000 MΩ-Km (Min)					
Conductor Resistance:	302 Ω/Km 20°C (Max)					
Dielectric Strength:	AC 1 KV/Minute					
Spark Test	5.0 KV					
Nom. Impedance	50 ± 3 Ω					
Nom. Capacitance	95.8 ± 3 pF/m					
Nom. Vel. of Prop.	69%					
VSWR (0-6 GHz)	Max 1.3					
Attenuation (dB/3M)	500MHz	1GHz	1.5GHz	2GHz	2.5GHz	3GHz
	1.8	2.6	3.2	3.7	4.2	4.6

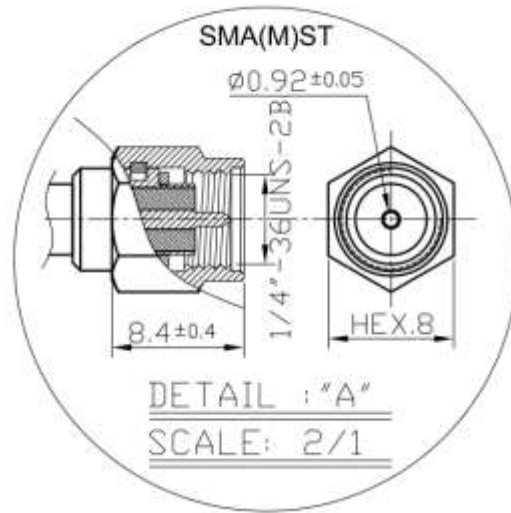
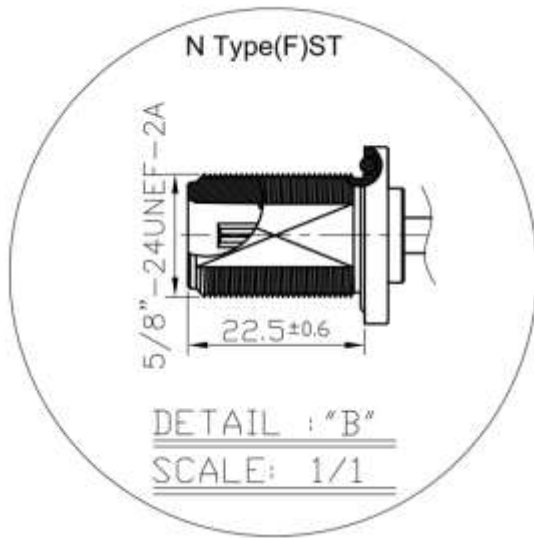
3. Technical Drawing

3.1 CAB.952



	Name	Material	Finish	QTY
1	N Type(F) ST	Brass	Ni Plated	1
2	Heat Shrink Tube (RG-316)	PE	Black	2
3	RG-316 Coaxial Cable	FEP	Brown	1
4	SMA(M) ST	Brass	Gold	1
5	Washer	Brass	Ni Plated	1
6	Nut	Brass	Ni Plated	1

3.2 Connectors



Mouser Electronics

Authorized Distributor

Click to View Pricing, Inventory, Delivery & Lifecycle Information:

[Taoglas:](#)

[CAB.952](#)