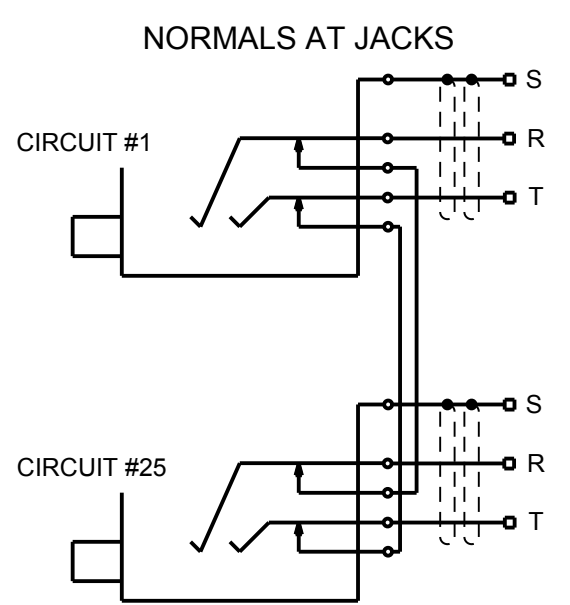
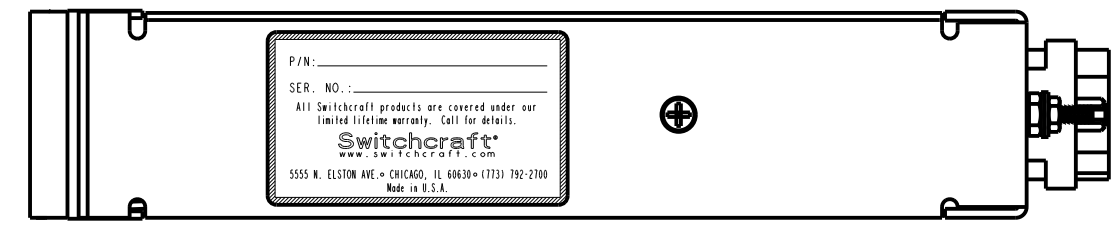
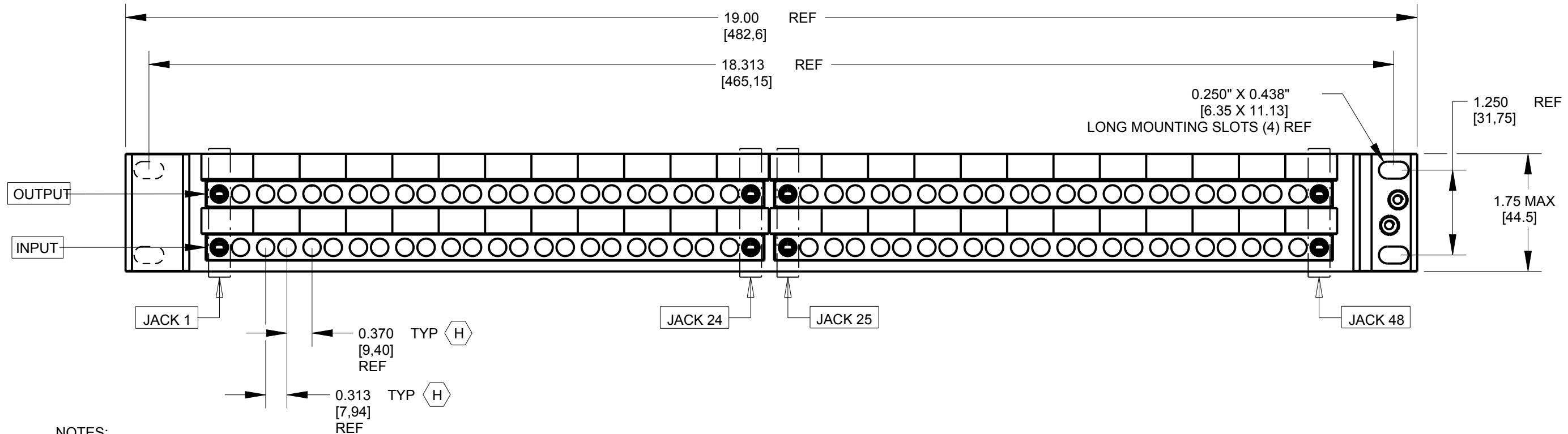


STANDARD AUDIO CONFIGURATION WIRING (S.A.C.)
WIRING VIEW - ROTATED 180°
(NORMALS AT JACKS) (H)



JACK SCHEMATIC

90 PIN CONNECTOR PIN-OUT			
JACK No.	TIP	RING	SLEEVE
1	A	H	R
JACKS #2 THRU #6 PATTERN CONTINUES TO F,N,W			
7	X	AE	AM
JACKS #8 THRU #12 PATTERN CONTINUES TO AC,AL,AT			
13	BJ	BS	BY
JACKS #14 THRU #18 PATTERN CONTINUES TO BP,BX,CD			
19	CF	CN	CW
JACKS #20 THRU #24 PATTERN CONTINUES TO CM,CU,DB			



- NOTES:
- MATERIALS:
 JACKS: FRAME - STEEL, NICKEL PLATED
 BUSHING - BRASS, NICKEL PLATED
 TIP, RING & SHUNT SPRINGS - SPECIAL COPPER ALLOY
 SCREWS - STEEL, ZINC PLATED

- PANEL: FRONT CHANNEL - ANODIZED ALUMINUM, BLACK
 FRAME & COVER - STEEL, BLACK EPOXY PAINTED
 DESIGNATION STRIPS - THERMOPLASTIC, BLACK
 DESIGNATION STRIP COVERS - THERMOPLASTIC, CLEAR
 JACK INSERTS - THERMOPLASTIC, BLACK

- EDAC CONNECTOR: HOUSING - THERMOPLASTIC UL94V-0, PART# 516-090-000-202
 CONTACTS - PHOSPOR BRONZE, GOLD PLATED

- MARKING STRIP SHEET, COVERS AND MOUNTING SCREWS NOT SHOWN, SHIPPED UNASSEMBLED.

CUSTOMER DRAWING

REV	ECO NUMBER	DATE	BY	APVD
H	26875	11-7-11	TO	TJK
G	24675	3-26-04	JL	JF
F	23184	5-10-00	JL	EB
E	22558	1-21-99	JL	JF
K	27999	02-08-18	PC	TJK
J	26943	4-16-12	TO	TJK

THIS DRAWING DESCRIBES A DESIGN CONSIDERED PROPRIETARY IN NATURE, DEVELOPED AND MANUFACTURED BY SWITCHCRAFT INC. AND IS RELEASED ON A CONFIDENTIAL BASIS FOR IDENTIFICATION PURPOSES ONLY.				
SIZE	WIDTH	MULT	LBS/M	TEMPER
FINISH		MATERIAL		
SPEC No.		SPEC No.		
FIRST USED ON		SCALE		
		5:8		
DATE DRAWN	BY	CHKD	APVD	
3-19-97	SG	3-19-97	JF	
NAME		PART No.		REV
JACKFIELD		TT96EDACNS		K
2 X 48 STEREO SPACED JACKS				

Mouser Electronics

Authorized Distributor

Click to View Pricing, Inventory, Delivery & Lifecycle Information:

[Switchcraft:](#)

[TT96EDACNS](#)