

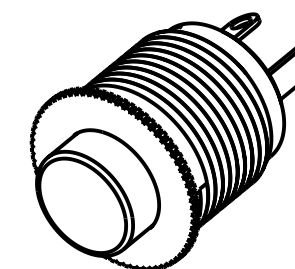
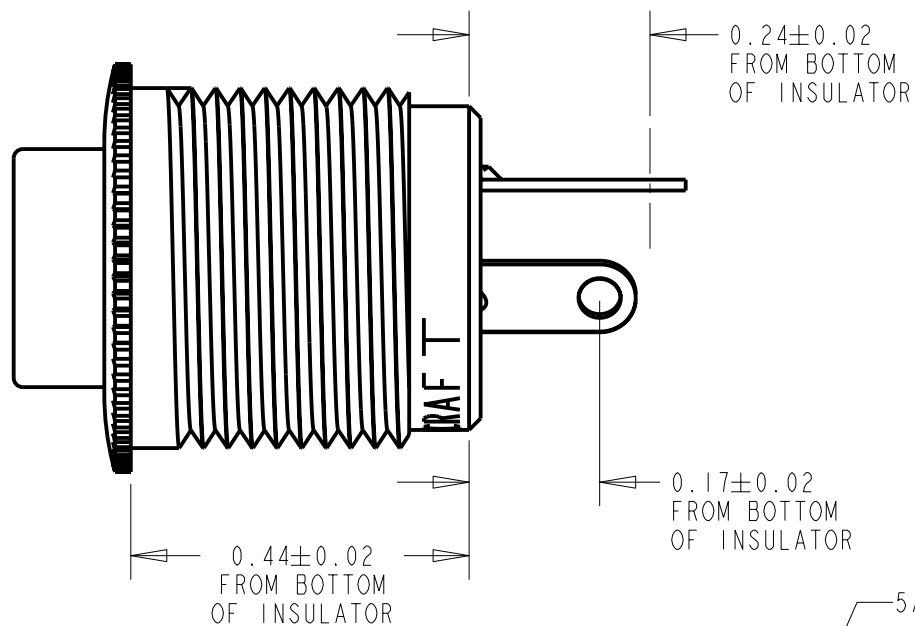
PART NUMBER	PART REV.	BUTTON COLOR	SCHEMATIC
903X	A	RED	I-C
903DX	A	RED	I-D
913X	A	BLACK	I-C
913DX	A	BLACK	I-D

NOTES:

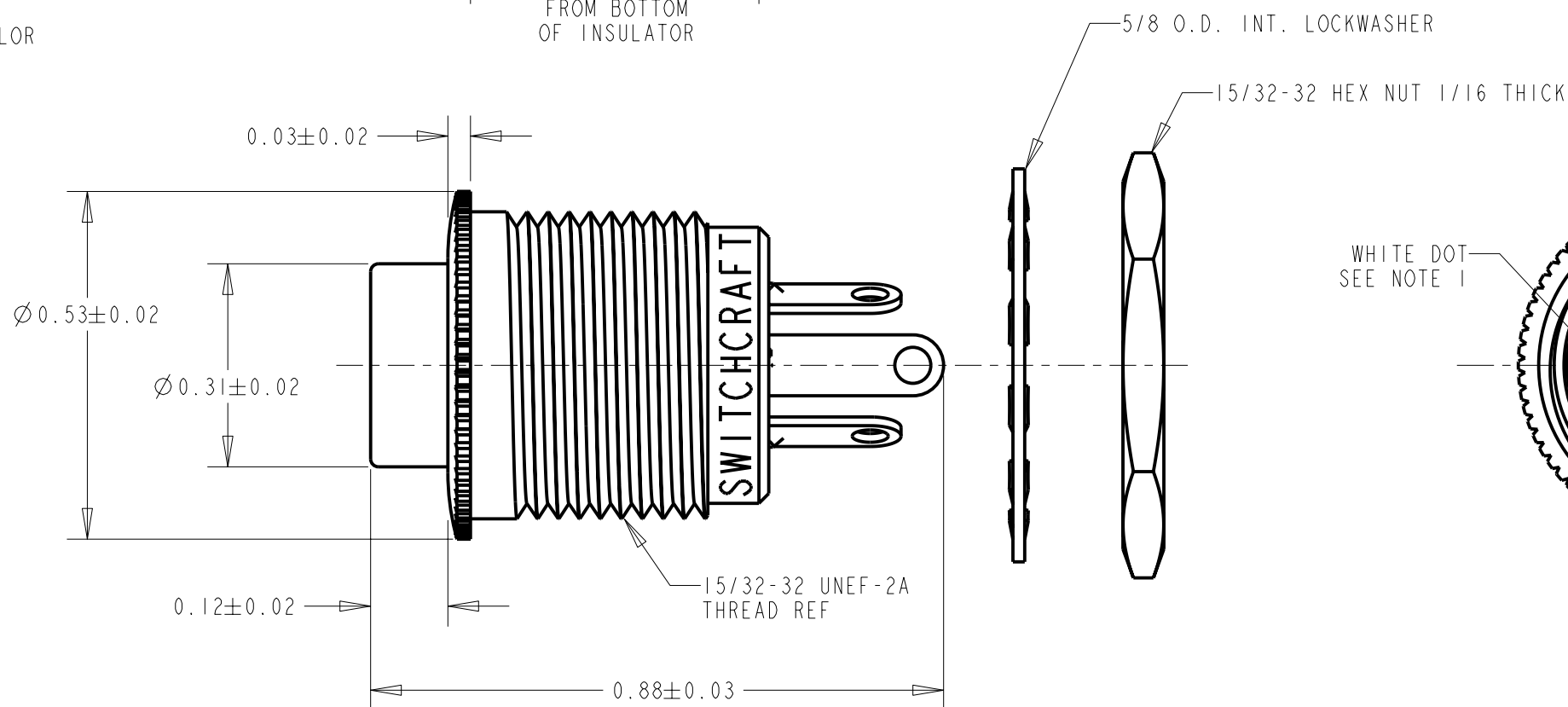
1. WHITE DOT DESIGNATES "I-D SCHEMATIC".
2. HEX NUT AND LOCKWASHER ARE SHIPPED UNASSEMBLED.
3. ALL DIMENSIONS ARE REFERENCE.
4. THESE PRODUCTS ARE RoHS COMPLIANT.

SPECIFICATIONS:

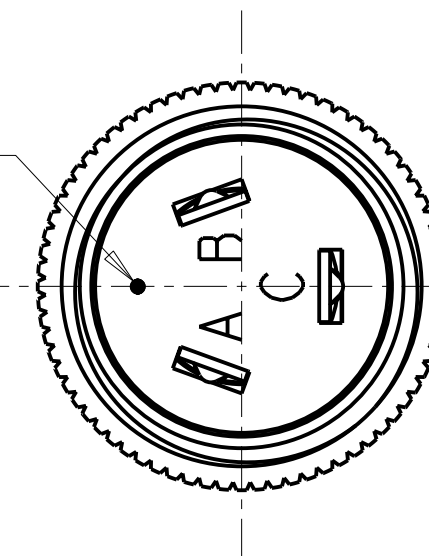
1. PUSHBUTTON - PLASTIC, SEE TABLE FOR COLOR
2. HOUSING - BRASS, NICKEL PLATED
3. TERMINALS - BRASS, SILVER PLATED
4. CONTACTORS - BRASS, SILVER PLATED
5. INSULATORS - PHENOLIC
6. SPRING - SILVER PLATED
7. HEX NUT - BRASS, NICKEL PLATED
8. WASHER - STEEL, NICKEL PLATED



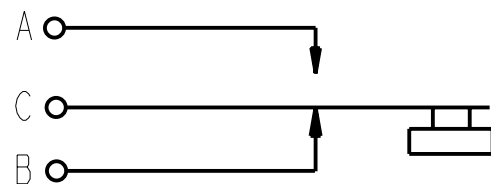
SCALE 2:1



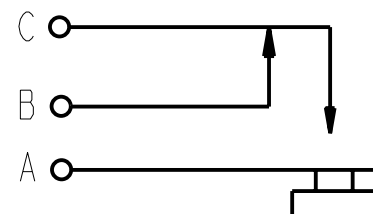
WHITE DOT
SEE NOTE 1



CUSTOMER DRAWING



903X & 913X
SCHEMATIC
I-C



903DX & 913DX
SCHEMATIC
I-D

REV	ECO NUMBER	DATE	BY	APVD
A	ECO #25286	1-18-07	TJK	TJK
REVISIONS				

- ★ STAR SYMBOL DENOTES CRITICAL DIMENSION
- UNLESS OTHERWISE SPECIFIED
- 1. ALL DIMENSIONS IN INCHES
 - TWO PLACE DECIMALS ±0.01
 - THREE PLACE DECIMALS ±0.005
 - ANGLES ±1°
 - ALL DIA. CONCENTRIC WITHIN 0.005 T.I.R.
- 2. FEATURES ON THE SAME CENTERLINE MUST BE ALIGNED WITHIN ±0.002
- 3. REMOVE ALL BURRS

DO NOT SCALE DRAWING

THIS DRAWING DESCRIBES A DESIGN CONSIDERED PROPRIETARY IN NATURE, DEVELOPED AND MANUFACTURED BY SWITCHCRAFT INC. AND IS RELEASED ON A CONFIDENTIAL BASIS FOR IDENTIFICATION PURPOSES ONLY.												
SIZE		WIDTH		MULT		LBS/M		TEMPER				
FINISH						MATERIAL						
SPEC No.						SPEC No.						
FIRST USED ON				SCALE				Switchcraft [®]				
				4:1								
DATE DRAWN	BY	CHKD	APVD									
18-Jan-07	TJK	TJK	TJK									
		1-18-07	1-18-07									
NAME										PART No.		REV
BUTTON SWITCH, RoHS										903X & 913X 903DX & 913DX		A

Mouser Electronics

Authorized Distributor

Click to View Pricing, Inventory, Delivery & Lifecycle Information:

[Switchcraft:](#)

[903](#) [913](#)