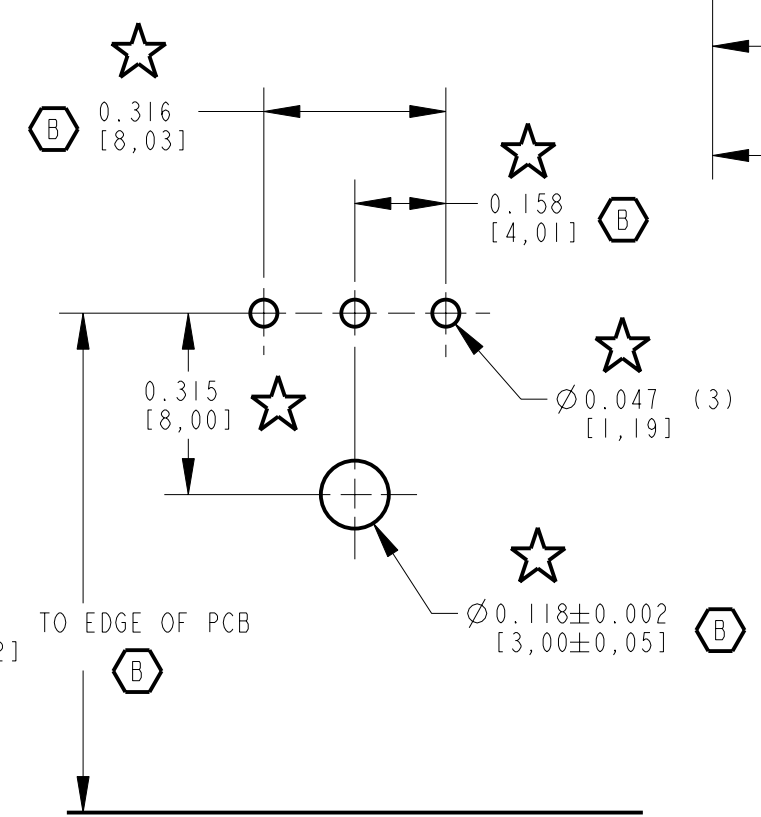
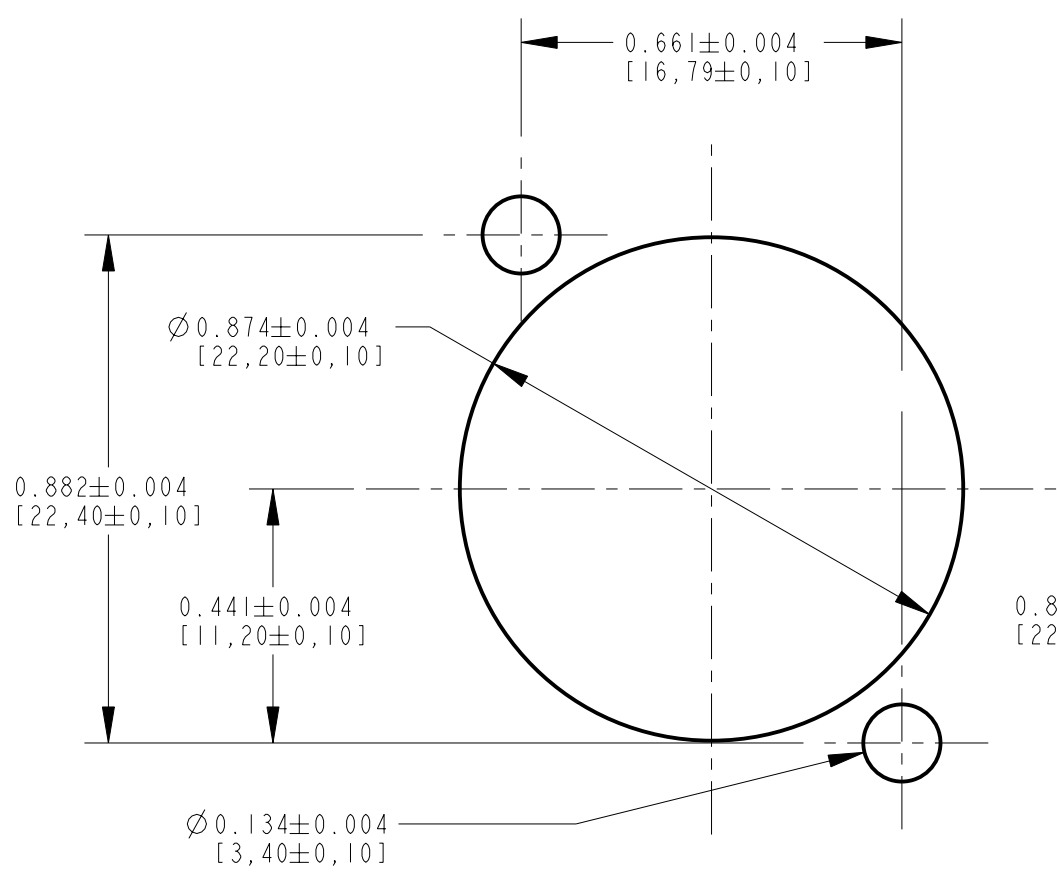
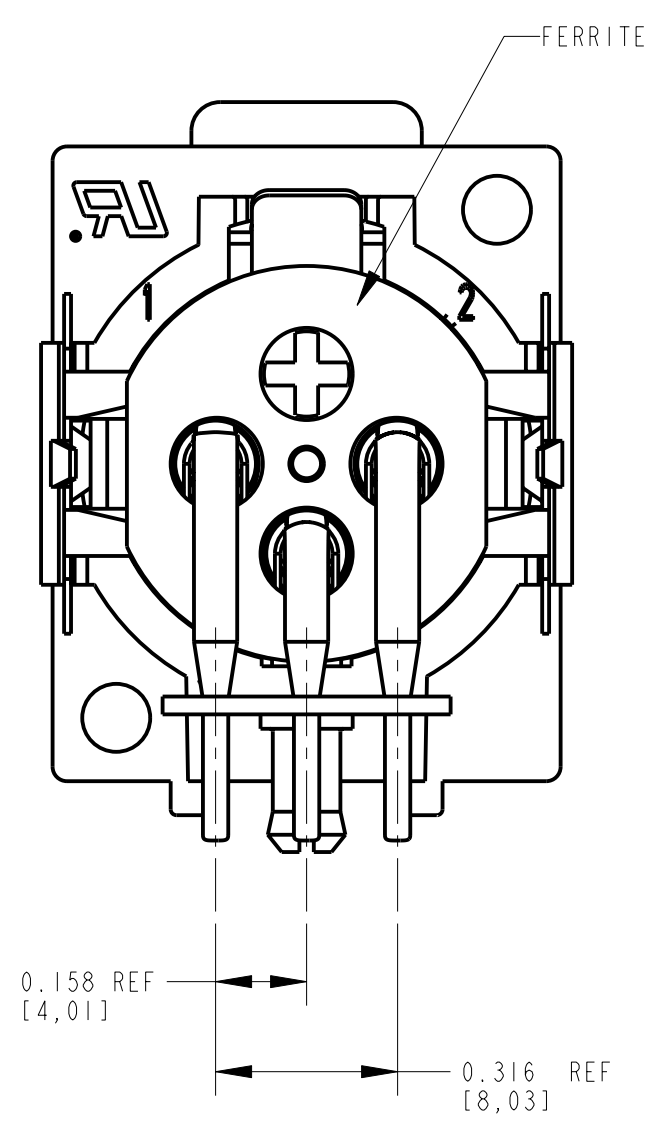
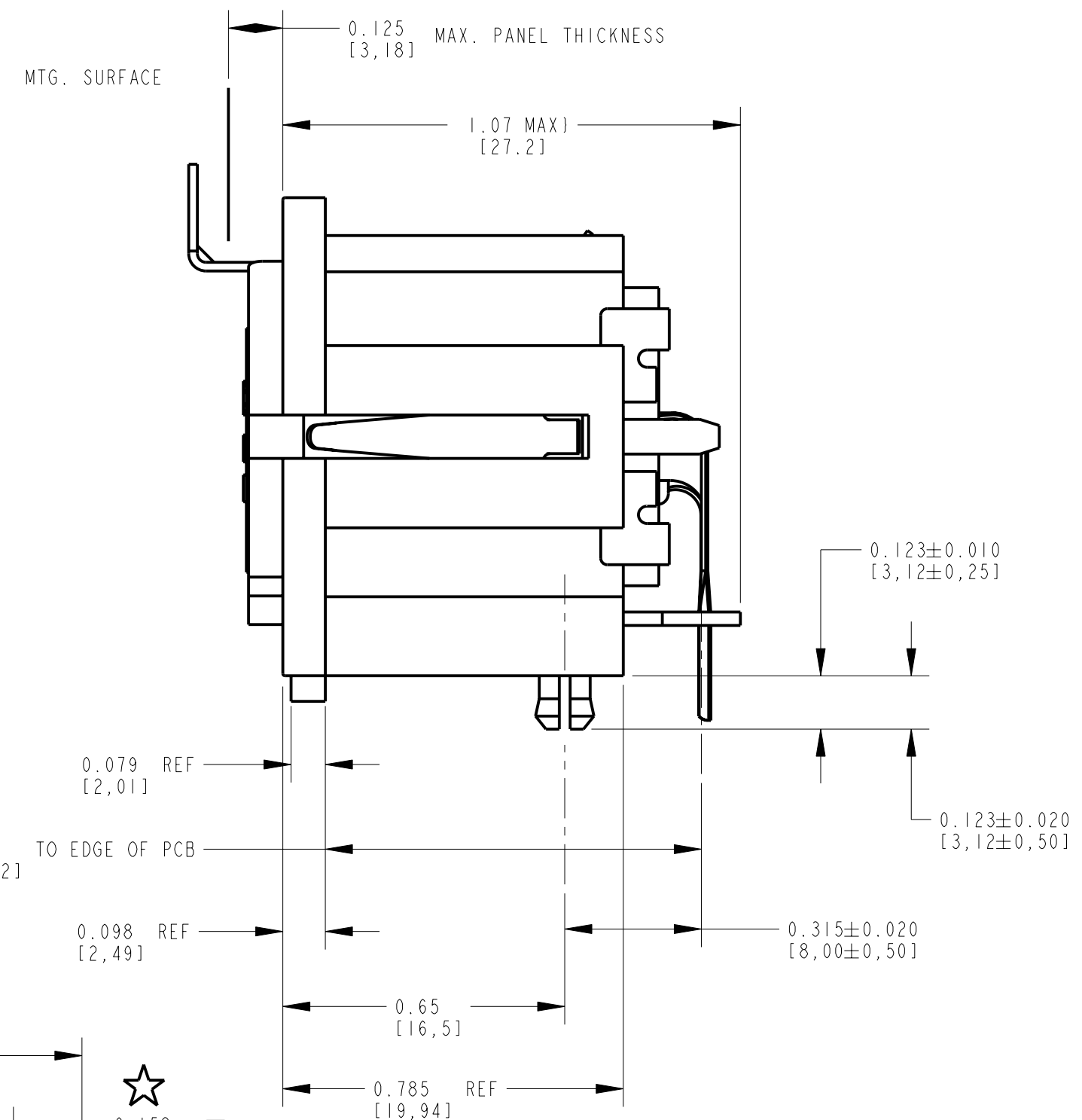
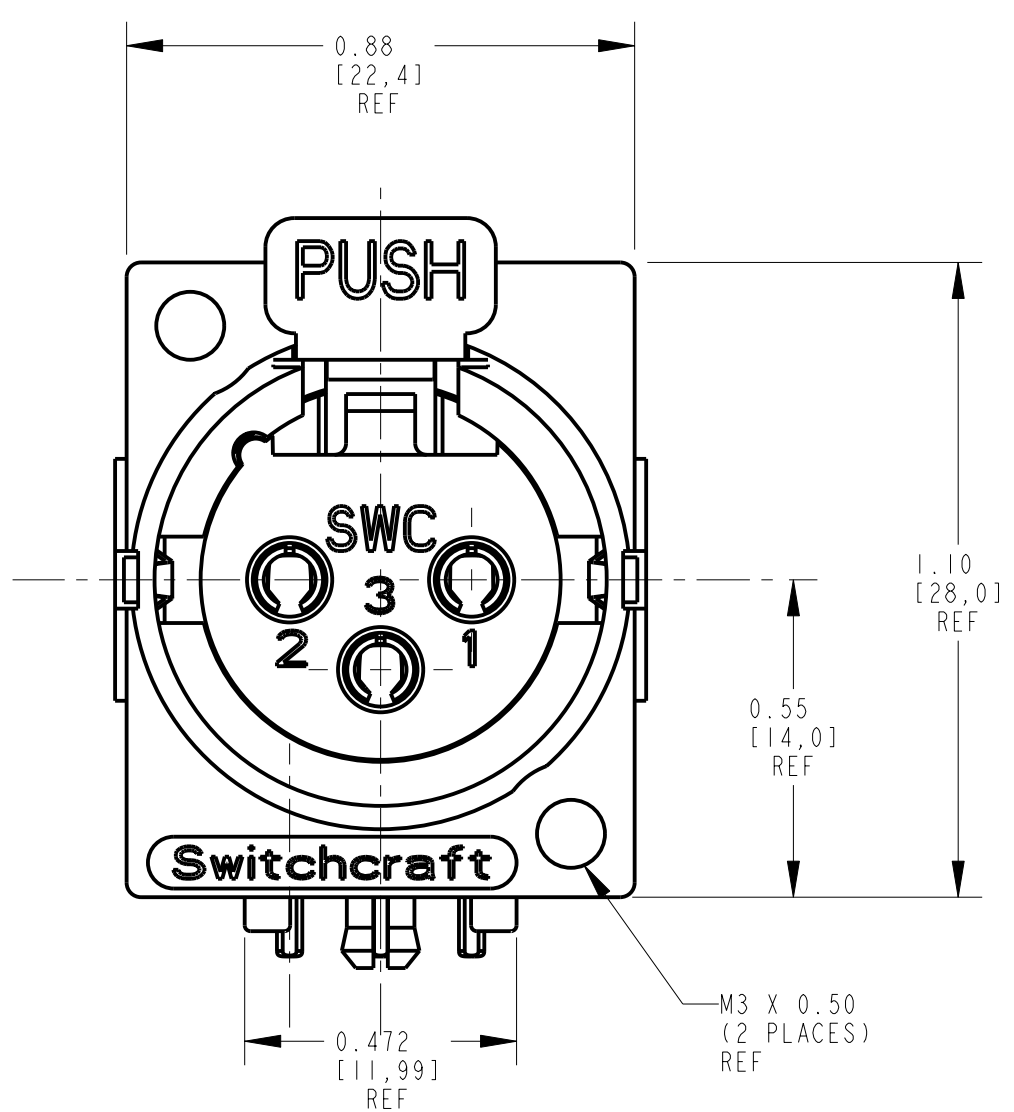


MATERIALS:

HOUSING - ZINC ALLOY, NICKEL PLATED
 CONTACTS - COPPER ALLOY, SILVER PLATED
 INSULATOR - THERMOPLASTIC, UL 94V-0 RATED
 INSULATING SPACER - PHENOLIC
 GROUND PIN - COPPER ALLOY, TIN PLATED
 GROUND SPRING - HEAT TREATED STEEL OR COPPER ALLOY, TIN PLATED
 RELEASE LEVER - C.R.S., NICKEL PLATED
 LATCH SPRING - HEAT TREATED STEEL, NICKLE PLATED
 FERRITE - NICKEL ZINC, K-100
 RATED CURRENT - 3 AMP
 SERVICE VOLTAGE - 133 VAC

RELEASE LEVER THROW 0.100 [2,5]



RECOMMENDED MOUNTING PANEL LAYOUT

RECOMMENDED P.C. BOARD LAYOUT
 (0.062 [1.57] THICK P.C. BOARD REF.)

CUSTOMER DRAWING

| | | | | | | | | | |
|--|-----|-------|---------------------------------|-----------|--|-------------------|--|--------|--|
| ☆ STAR SYMBOL DENOTES CRITICAL DIMENSION UNLESS OTHERWISE SPECIFIED 1. ALL DIMENSIONS IN INCHES - TWO PLACE DECIMALS ±0.01 - THREE PLACE DECIMALS ±0.005 - ANGLES ±1° - ALL DIA. CONCENTRIC WITHIN 0.005 T.I.R. 2. FEATURES ON THE SAME CENTERLINE MUST BE ALIGNED WITHIN ±0.002 3. REMOVE ALL BURRS DO NOT SCALE DRAWING | | | | | THIS DRAWING DESCRIBES A DESIGN CONSIDERED PROPRIETARY IN NATURE, DEVELOPED AND MANUFACTURED BY SWITCHCRAFT INC. AND IS RELEASED ON A CONFIDENTIAL BASIS FOR IDENTIFICATION PURPOSES ONLY. | | | | |
| SIZE | | WIDTH | | MULT | | LBS/M | | TEMPER | |
| FINISH SPEC No. | | | | | | MATERIAL SPEC No. | | | |
| FIRST USED ON | | | | SCALE 3:1 | | | | | |
| DATE DRAWN | BY | CHKD | APVD | | | | | | |
| 21-Jan-02 | KJB | TJK | KJB | | | | | | |
| NAME | | | FEMALE 3 PIN QG RA/PC W/FERRITE | | | PART No. | | REV | |
| REV | | | ECO NUMBER | | | DATE | | BY | |
| A | | | 22650 | | | 1-21-02 | | TJK | |
| B | | | 24518 | | | 7/14/73 | | KJB | |
| REV | | | ECO NUMBER | | | DATE | | BY | |
| A | | | 22650 | | | 1-21-02 | | TJK | |
| B | | | 24518 | | | 7/14/73 | | KJB | |
| REV | | | ECO NUMBER | | | DATE | | BY | |
| A | | | 22650 | | | 1-21-02 | | TJK | |
| B | | | 24518 | | | 7/14/73 | | KJB | |

Mouser Electronics

Authorized Distributor

Click to View Pricing, Inventory, Delivery & Lifecycle Information:

[Switchcraft:](#)

[F3FRAF](#)