

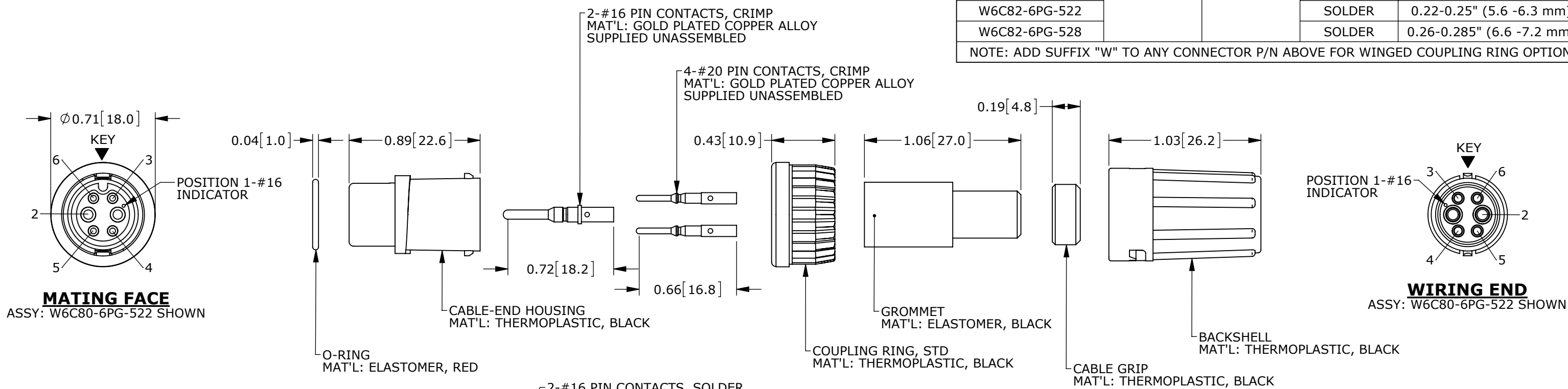
CUSTOMER PRINT

PART NUMBER: W6C8X-6PG-5XX_CD

- NOTES:**
 1. ALL PARTS TO BE BULK PACKED.
 2. SEE DRAWING HPMIMIX FOR HOLE PATTERN.
 3. DIMENSIONS ARE FOR REFERENCE ONLY.

CONNECTOR P/N	POSITIONS		CONTACT STYLE	CABLE O.D. RANGE
	#16	#20		
W6C80-6PG-513	2	4	CRIMP	0.13-0.15" (3.3 -3.8 mm)
W6C80-6PG-516			CRIMP	0.16-0.18" (4.1 -4.6 mm)
W6C80-6PG-519			CRIMP	0.19-0.21" (4.8 -5.3 mm)
W6C80-6PG-522			CRIMP	0.22-0.25" (5.6 -6.3 mm)
W6C80-6PG-528			CRIMP	0.26-0.285" (6.6 -7.2 mm)
W6C82-6PG-513			SOLDER	0.13-0.15" (3.3 -3.8 mm)
W6C82-6PG-516			SOLDER	0.16-0.18" (4.1 -4.6 mm)
W6C82-6PG-519			SOLDER	0.19-0.21" (4.8 -5.3 mm)
W6C82-6PG-522			SOLDER	0.22-0.25" (5.6 -6.3 mm)
W6C82-6PG-528			SOLDER	0.26-0.285" (6.6 -7.2 mm)

NOTE: ADD SUFFIX "W" TO ANY CONNECTOR P/N ABOVE FOR WINGED COUPLING RING OPTION



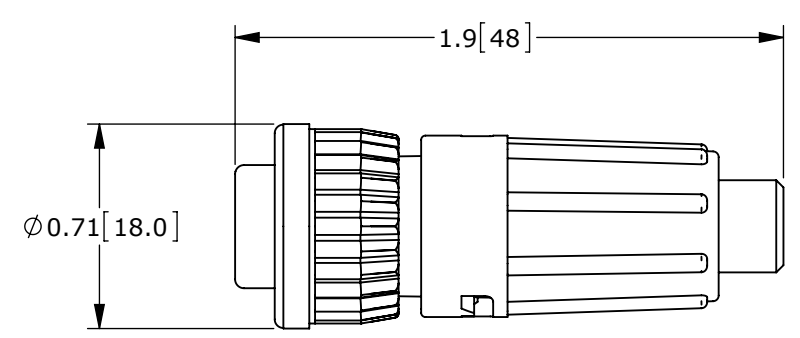
MATING FACE
 ASSY: W6C80-6PG-522 SHOWN

WIRING END
 ASSY: W6C80-6PG-522 SHOWN

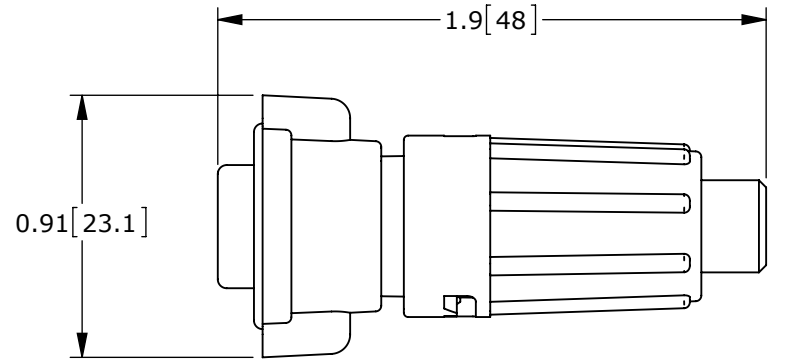
CUSTOMER APPROVAL

THIS DOCUMENT CONTAINS CONFIDENTIAL INFORMATION PROPRIETARY TO CONXALL CORPORATION. ANY REPRODUCTION, DISCLOSURE, OR USE OF THIS DOCUMENT /INFORMATION IS EXPRESSLY PROHIBITED UNLESS AUTHORIZED IN WRITING BY CONXALL CORPORATION.

APPROVED BY: _____
 DATE: _____



SHOWN ASSEMBLED WITH STANDARD COUPLING RING



SHOWN ASSEMBLED WITH WINGED COUPLING RING

RoHS COMPLIANT

PRELIMINARY

0A	PNK	01-19-16	PDR 14001 PRELIMINARY
REV.	INIT.	DATE	DESCRIPTION
			ORIG. DRAWN BY: PNK DATE: 01-19-16
ALL INFORMATION ILLUSTRATED IS THE PROPERTY OF CONXALL CORPORATION. UNAUTHORIZED DUPLICATION OR DISTRIBUTION OF THIS DOCUMENT IS PROHIBITED.			<p>601 E. WILDWOOD VILLA PARK, IL 60181</p>
ALL UNITS ARE IN FEET, INCHES, FRACTION OF INCHES AND DECIMALS. UNLESS OTHERWISE SPECIFIED TOLERANCES: 3 PLACE DECIMALS ±.005 ANGLES ±1° FRACTIONS ±1/16			
APPROVED BY:		SCALE: NTS	TITLE: CABLE-END CONNECTOR 2-16 + 4-20 PIN CONTACTS MINI-CON-X POWER/SIGNAL
FILE: W6C8X-6PG-5XX_CD		SIZE: B	CUSTOMER: STANDARD PRODUCT
DIRECTORY: SLW		SHEET: 1 OF 1	PART NUMBER: W6C8X-6PG-5XX_CD
- CRITICAL CHARACTERISTIC FLAG PER SPEC. XXXX			REV: 0A

Mouser Electronics

Authorized Distributor

Click to View Pricing, Inventory, Delivery & Lifecycle Information:

[Switchcraft:](#)

[W6C80-6PG-519](#) [W6C82-6PG-519](#)