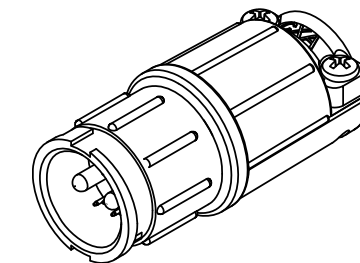
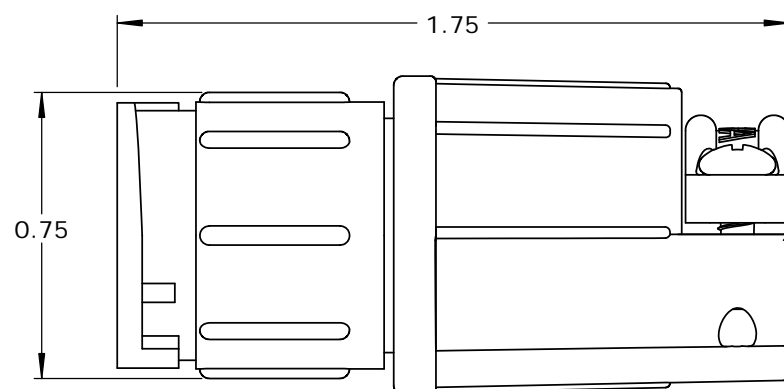
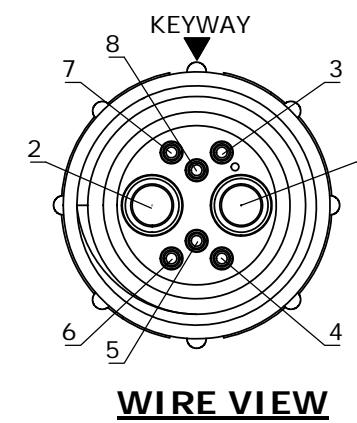
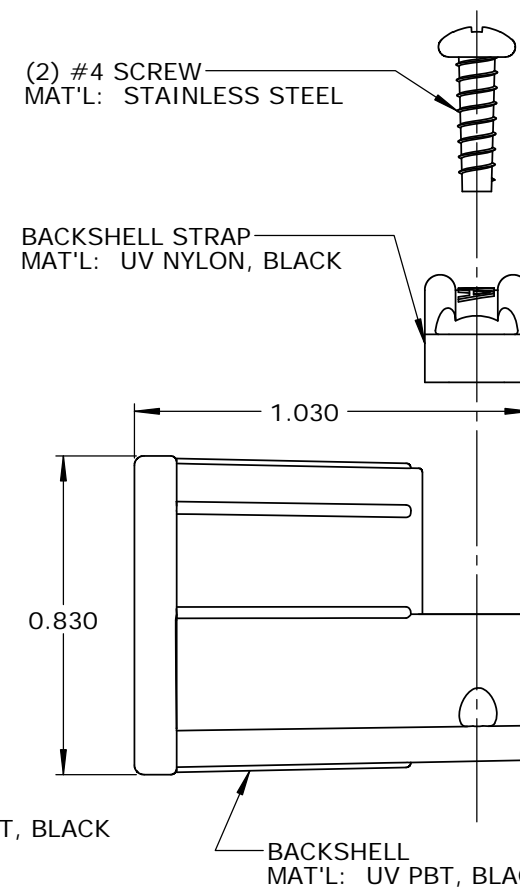
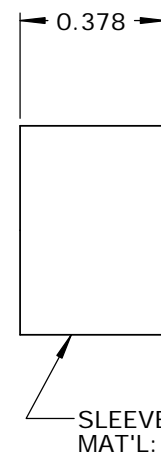
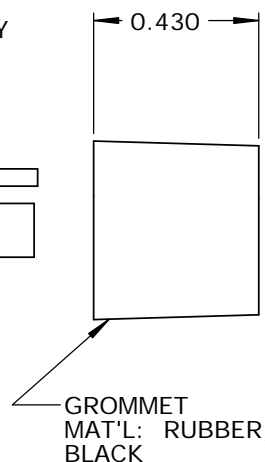
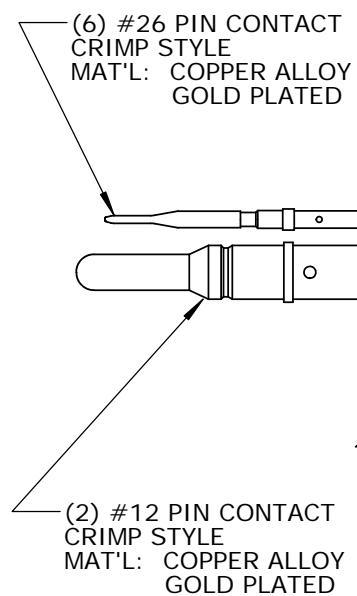
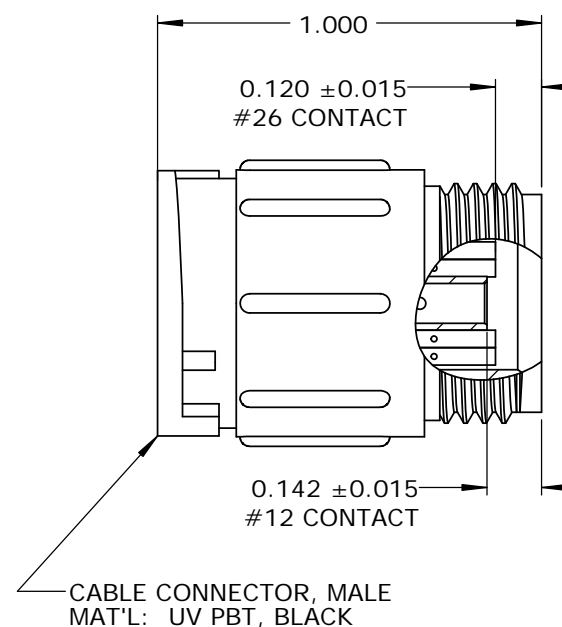
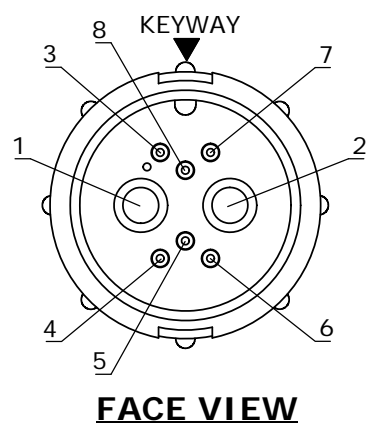


ASSY P/N	CABLE O.D.
W5B80-8PG-535	.350-.400 IN. [8.9-10.2mm]



- NOTES:  
 1. ALL PARTS TO BE BULK PACKED.  
 2. CONTACTS ARE SUPPLIED LOOSE.  
 3. ALL DIMENSIONS ARE FOR REFERENCE ONLY EXCEPT WHERE NOTED WITH TOLERANCE.



**CUSTOMER APPROVAL**

THIS DOCUMENT CONTAINS CONFIDENTIAL INFORMATION PROPRIETARY TO CONXALL CORPORATION. ANY REPRODUCTION, DISCLOSURE, OR USE OF THIS DOCUMENT /INFORMATION IS EXPRESSLY PROHIBITED UNLESS AUTHORIZED IN WRITING BY CONXALL CORPORATION.

APPROVED BY: \_\_\_\_\_  
 DATE: \_\_\_\_\_

**RoHS COMPLIANT**

A	AB	05-10-19	RELEASE PER DOR 14-6281TC
REV.	INIT.	DATE	DESCRIPTION
	AB	08-21-14	
<small>ALL INFORMATION ILLUSTRATED IS THE PROPERTY OF CONXALL CORPORATION. UNAUTHORIZED DUPLICATION OR DISTRIBUTION OF THIS DOCUMENT IS PROHIBITED.</small>			<p>601 E. WILDWOOD VILLA PARK, IL 60181</p>
<small>ALL UNITS ARE IN FEET, INCHES, FRACTION OF INCHES AND DECIMALS.</small>			
<small>ORIG. DRAWN BY: DATE:</small> AB 08-21-14		<small>CHECKED BY:</small>	
<small>APPROVED BY:</small>		<small>TITLE:</small> CABLE TO CABLE CONNECTOR KIT (2) #12 + (6) #26 PIN CONTACTS, CRIMP MULTI-CON-X, WEATHER RESISTANT	
<small>SCALE</small> NTS	<small>SIZE</small> B	<small>SHEET</small> 1 OF 1	<small>CUSTOMER:</small> STANDARD PRODUCT
<small>FILE:</small> SAME AS P/N	<small>DIRECTORY:</small> SLW	<small>PART NUMBER:</small> W5B80-8PG-5XX	<small>REV</small> A

CUSTOMER PRINT

PART NUMBER: W5B80-8PG-5XX

# Mouser Electronics

Authorized Distributor

Click to View Pricing, Inventory, Delivery & Lifecycle Information:

[Switchcraft:](#)

[W5B80-8PG-535](#)