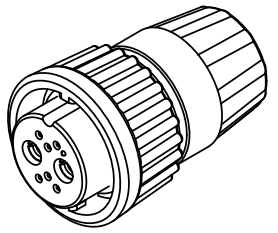


CUSTOMER PRINT

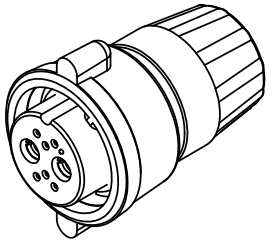
PART NUMBER: W3B80-8SG-3XX

- NOTES:  
 1. PARTS TO BE BULK PACKED.  
 2. CONTACTS ARE SUPPLIED LOOSE.  
 3. ALL DIMENSIONS ARE FOR REFERENCE ONLY EXCEPT WHERE NOTED WITH TOLERANCE.

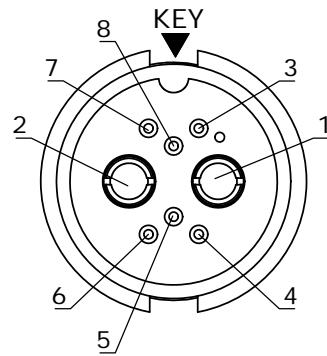
ASSY P/N	COUPLING RING P/N	CABLE O.D.
W3B80-8SG-335	4282V4	.350-.370 IN. [8.9-9.4mm]
W3B80-8SG-335W	4482V4	.350-.370 IN. [8.9-9.4mm]



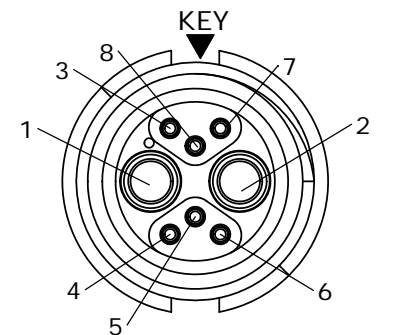
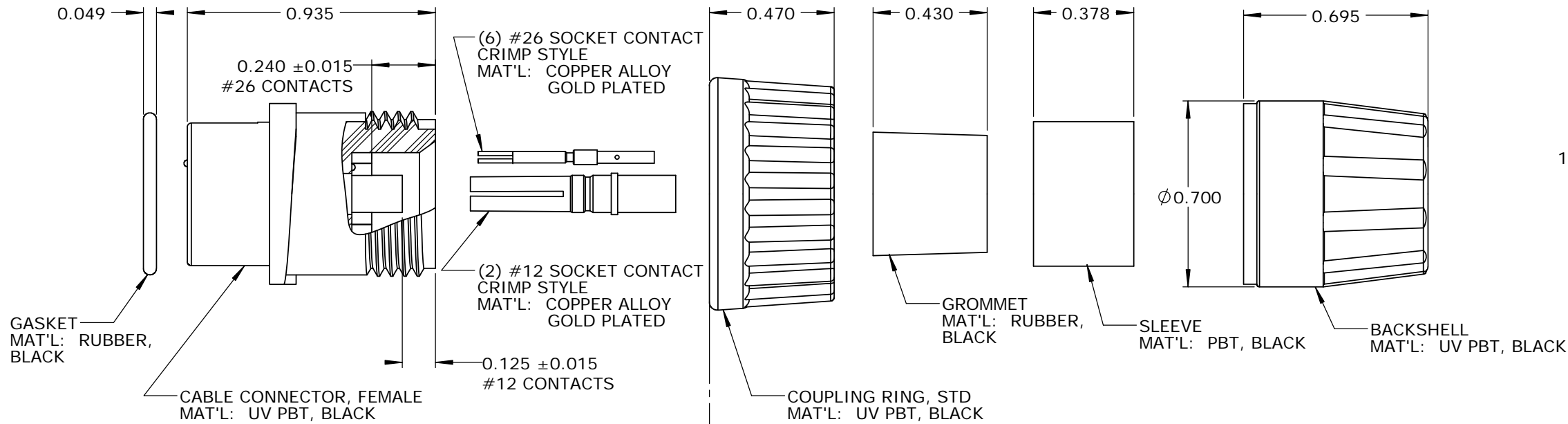
**STD COUPLING RING**  
 P/N: W3B80-8SG-3XX



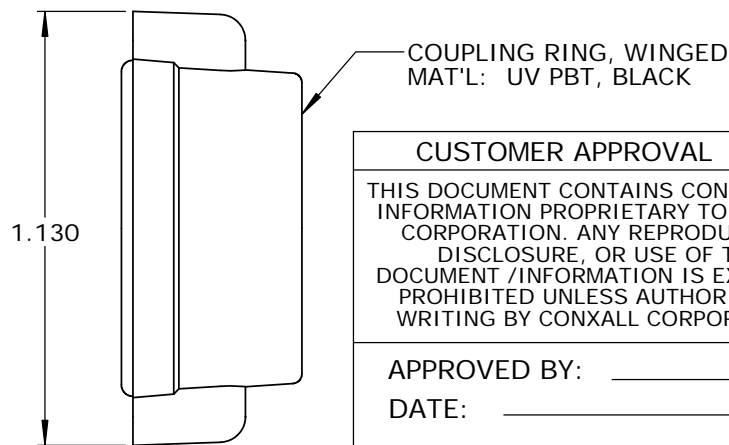
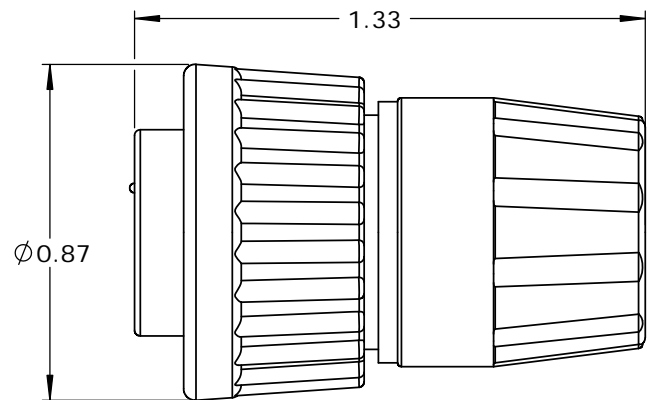
**WINGED COUPLING RING**  
 P/N: W3B80-8SG-3XXW



**FACE VIEW**



**WIRE VIEW**



**CUSTOMER APPROVAL**  
 THIS DOCUMENT CONTAINS CONFIDENTIAL INFORMATION PROPRIETARY TO CONXALL CORPORATION. ANY REPRODUCTION, DISCLOSURE, OR USE OF THIS DOCUMENT /INFORMATION IS EXPRESSLY PROHIBITED UNLESS AUTHORIZED IN WRITING BY CONXALL CORPORATION.  
 APPROVED BY: \_\_\_\_\_  
 DATE: \_\_\_\_\_

**RoHS COMPLIANT**

REV.	INIT.	DATE	DESCRIPTION
A	AB	05-09-19	RELEASE PER DOR 14-6281TC

ALL INFORMATION ILLUSTRATED IS THE PROPERTY OF "CONXALL CORPORATION". UNAUTHORIZED DUPLICATION OR DISTRIBUTION OF THIS DOCUMENT IS PROHIBITED.	ORIG. DRAWN BY: AB DATE: 07-21-14	
ALL UNITS ARE IN FEET, INCHES, FRACTION OF INCHES AND DECIMALS.	CHECKED BY:	
APPROVED BY:		TITLE: CABLE END CONNECTOR KIT (2)#12 + (6)#26 SOCKET CONTACTS, CRIMP MULTI-CON-X, WEATHER RESISTANT CUSTOMER: STANDARD PRODUCT
SCALE: NTS	SIZE: B	SHEET: 1 OF 1
FILE: SAME AS P/N	DIRECTORY: SLW	PART NUMBER: W3B80-8SG-3XX(W)

# Mouser Electronics

Authorized Distributor

Click to View Pricing, Inventory, Delivery & Lifecycle Information:

[Switchcraft:](#)

[W3B80-8SG-335](#)