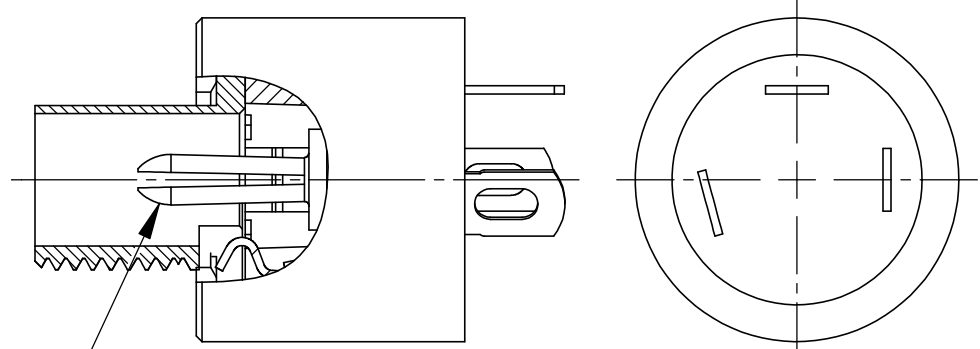


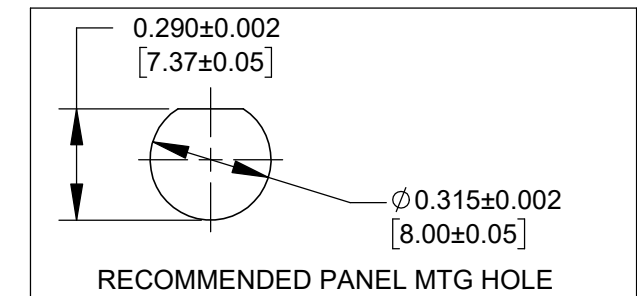
Ø 0.10" (2.5 mm)
CENTER PIN REF

L712AHU

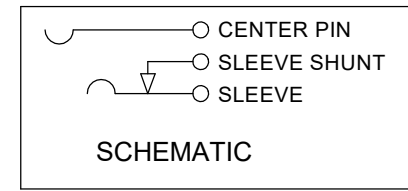


Ø 0.080" (2.0mm)
CENTER PIN REF

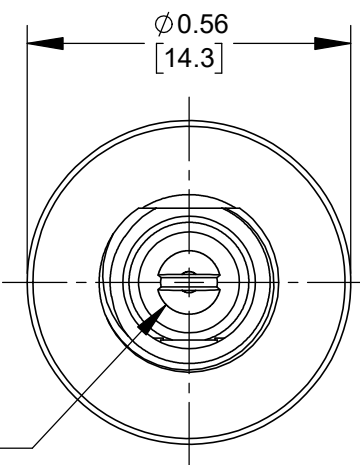
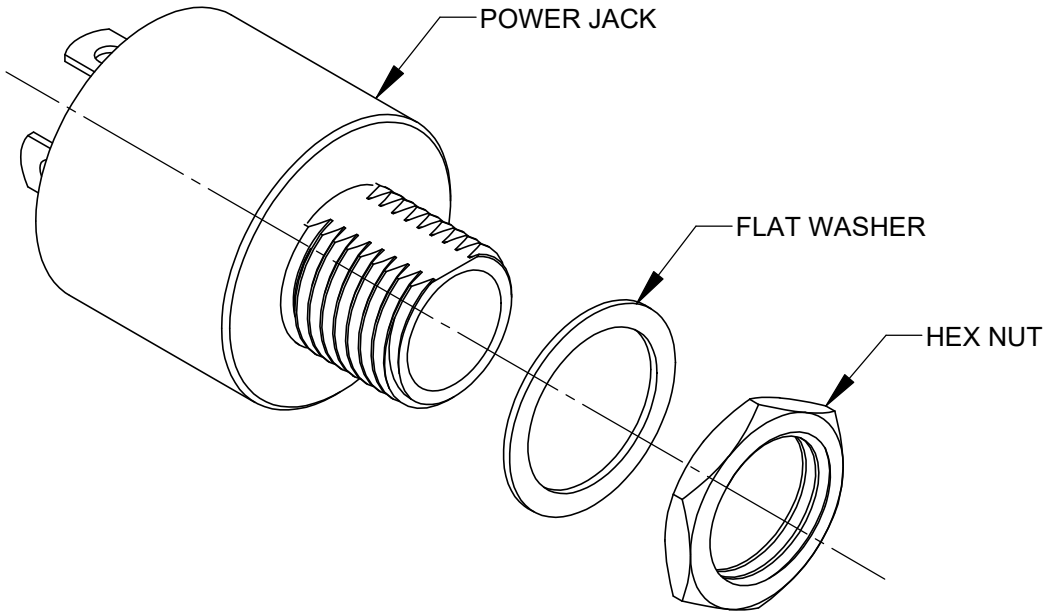
L722AHU



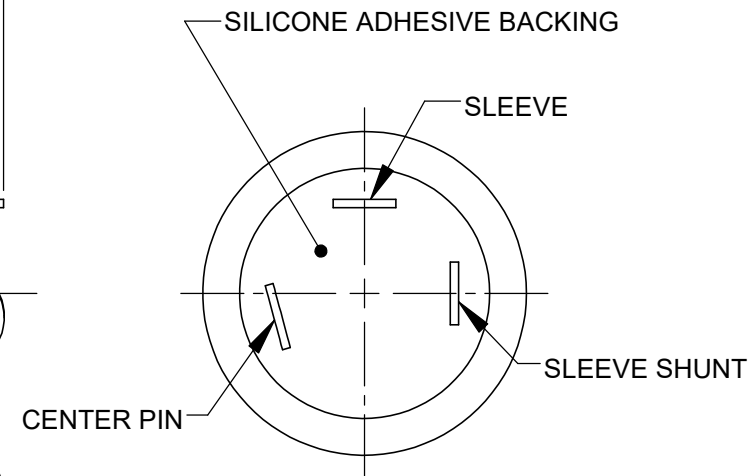
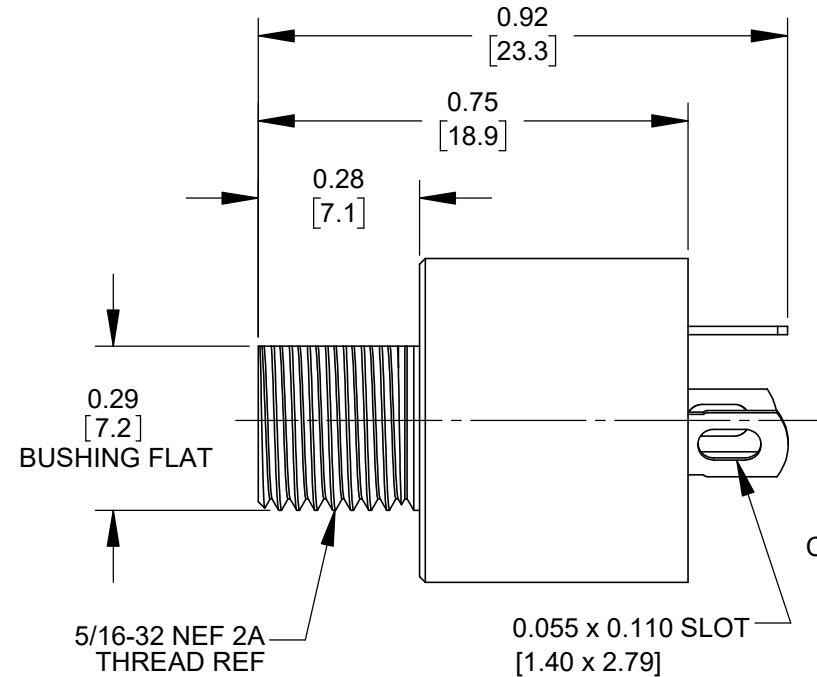
RECOMMENDED PANEL MTG HOLE



SCHEMATIC



L712AHU SHOWN



- NOTES:
- DIMENSIONS SHOWN FOR REFERENCE ONLY.
 - HEX NUT AND FLAT WASHER SUPPLIED UNASSEMBLED.
 - MATERIAL:
HOUSING, HEX NUT - COPPER ALLOY, NICKEL PLATED
INSULATOR HOUSING - THERMOPLASTIC, BEIGE
TERMINAL INSULATORS - PHENOLIC
FLAT WASHER - STEEL, NICKEL PLATED
PIN, SPRING, TERMINALS - COPPER ALLOY, SILVER PLATED
SEAL COVER, O-RING - SILICONE, BLACK
POTTING COMPOUND - SILICONE ADHESIVE, LIGHT GRAY
 - IT IS RECOMMENDED THAT THE JACK MOUNTING NUT BE TIGHTENED SNUG BY HAND BEFORE APPLYING A FINAL TIGHTENING TORQUE OF 3-4 LB-IN USING HAND TOOLS ONLY. POWER DRIVER OR IMPACT DRIVERS ARE NOT RECOMMENDED.
 - THESE PRODUCTS ARE RoHS COMPLIANT

CUSTOMER DRAWING

| REV | ECO NUMBER | DATE | BY | APVD |
|-----------|------------|----------|----|------|
| A | 28689 | 07/16/24 | PC | TJK |
| REVISIONS | | | | |

UNLESS OTHERWISE SPECIFIED

1. ALL DIMENSIONS IN INCHES [mm]

- TWO PLACE DECIMALS ±0.02 [0.5]

- THREE PLACE DECIMALS ±0.005 [0.13]

DO NOT SCALE DRAWING

| | | | | | | | | | |
|--|-------|------|-------|---------------------------------|----------|---------|--|-----|--|
| THIS DRAWING DESCRIBES A DESIGN CONSIDERED PROPRIETARY IN NATURE, DEVELOPED AND MANUFACTURED BY SWITCHCRAFT INC. AND IS RELEASED ON A CONFIDENTIAL BASIS FOR IDENTIFICATION PURPOSES ONLY. | | | | | | | | | |
| SIZE | WIDTH | MULT | LBS/M | TEMPER | | | | | |
| FINISH | | | | | MATERIAL | | | | |
| SPEC No. | | | | | SPEC No. | | | | |
| FIRST USED ON | | | | SCALE 3:1 | | | | | |
| DATE DRAWN | BY | CHKD | APVD | Switchcraft [®] | | | | | |
| 5/23/24 | PNK | PNK | SRC | | | | | | |
| | | | | 5/23/24 | | 5/23/24 | | | |
| NAME | | | | PART No. | | | | REV | |
| POWER JACKS | | | | L712AHU L722AHU | | | | A | |
| SEALED UNMATED, RoHS | | | | | | | | | |

Mouser Electronics

Authorized Distributor

Click to View Pricing, Inventory, Delivery & Lifecycle Information:

[Switchcraft:](#)

[L712AHU](#) [L722AHU](#)