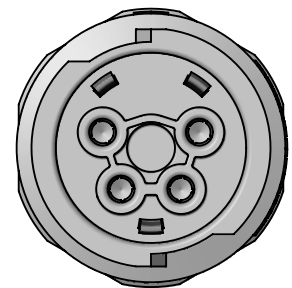
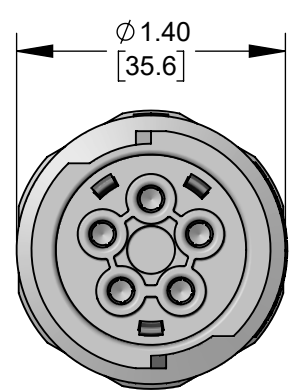


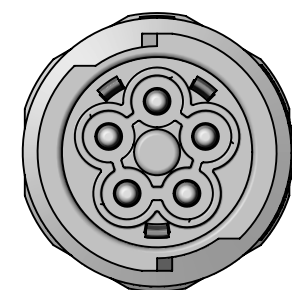
EP7P3F10  
3-POLE FEMALE



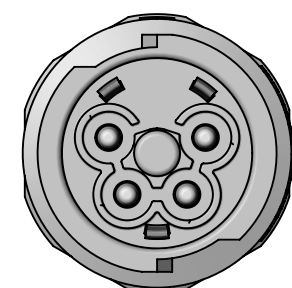
EP7P4F10  
4-POLE FEMALE



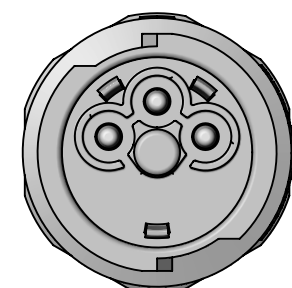
EP7P5F10  
5-POLE FEMALE



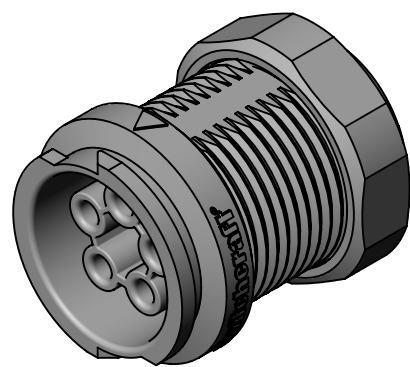
EP7P5M10  
5-POLE MALE



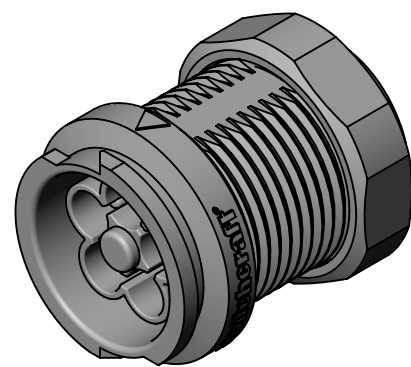
EP7P4M10  
4-POLE MALE



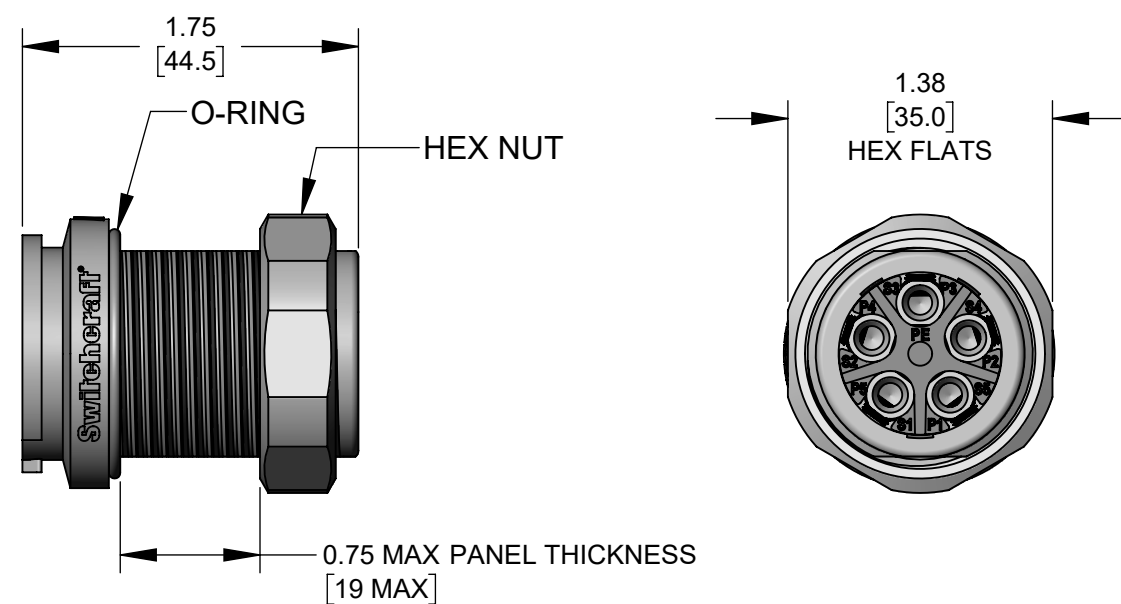
EP7P3M10  
3-POLE MALE



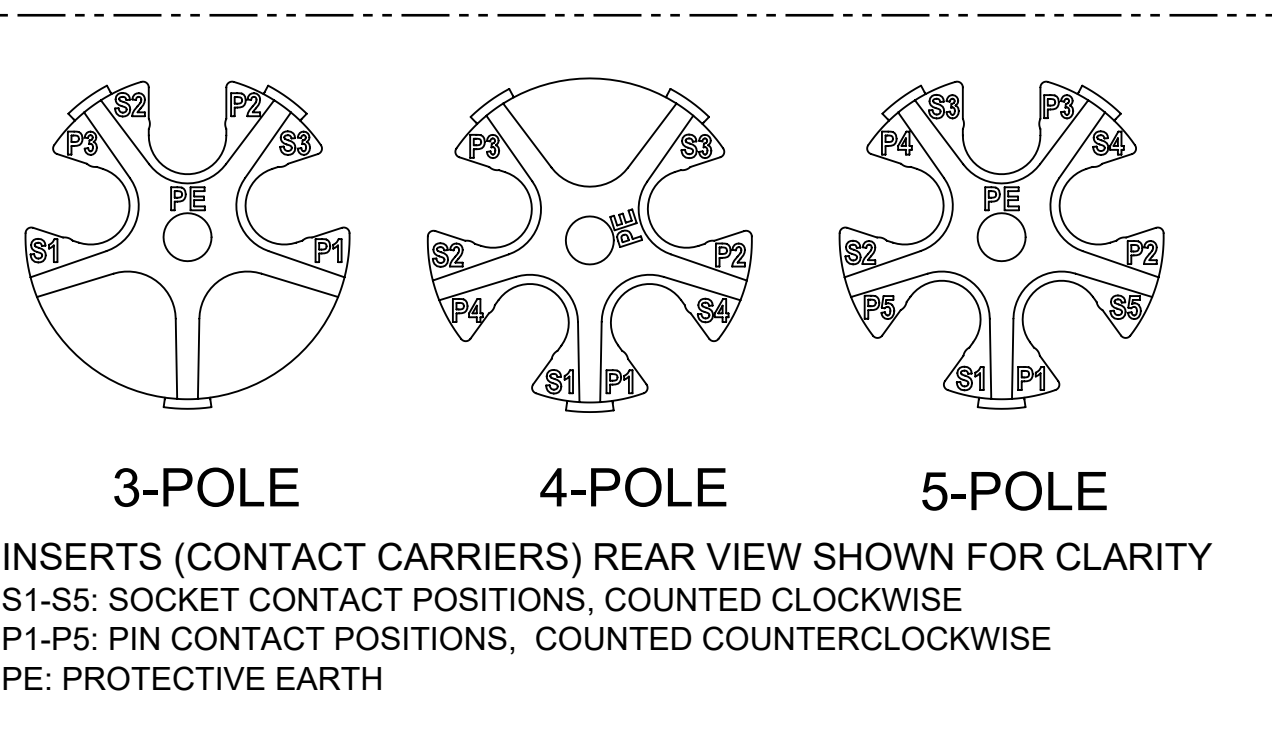
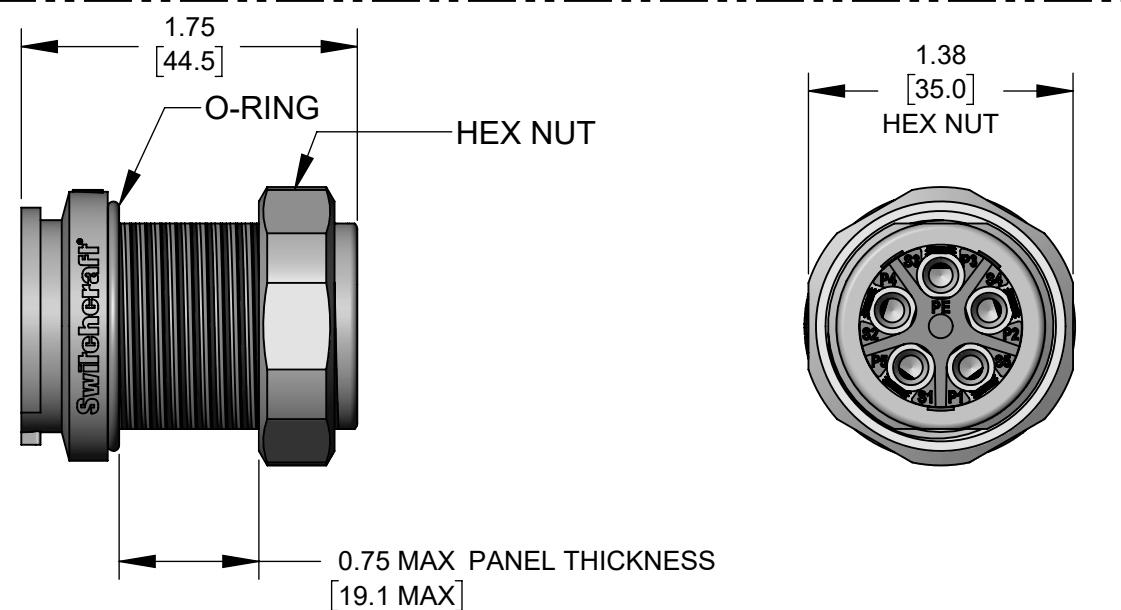
EP7P5F10 SHOWN



EP7P5M10 SHOWN



RECOMMENDED PANEL CUT-OUT



EP7 P 10

EP7 SERIES

P - PANEL-MOUNT CONNECTOR

# OF CONTACTS:  
3-5 #10

GENDER:

M - MALE (PIN)  
F - FEMALE (SOCKET)

KIT PACKAGING OPTION:  
K - ONE UNIT / BAG

CONTACT SIZE - (WIRE SIZES):  
10 - (10, 12, 14 AWG)

REFER TO "EP7C SERIES" DRAWING FOR MATING CABLE-END CONNECTORS.

SPECIFICATIONS:	
<b>MECHANICAL</b>	
Mating / Locking Type:	Spring Loaded Automatic Latching Mechanism
Life	400 cycles minimum
Operating Forces	10 lb. [44.5 N] maximum Insertion or Withdrawal
Vibration	Mil-Std 202G Method 201A
Panel-Mount Hex Nut Torque	12 in-lb [1.36 Nm] maximum
Cable Securing System:	Treaded-on Clamp
<b>ELECTRICAL</b>	
Voltage Rating	600 V AC/DC
Current Rating	Refer to Current Carry Capacity Table
Insulation Resistance	1000 MΩ minimum
Contact Resistance	10 mΩ typical
<b>ENVIRONMENTAL</b>	
Temperature Limits	-40°C to +135°C (-40°F to +275°F)
Operating Temperature Range	Refer to Current Carry Capacity Table
Moisture Resistance	Mil-Std 202G Method 106G
Insulation Resistance	Mil-Std 202G Method 302 Condition B
Thermal Shock	Mil-Std 202G Method 107G
Salt Atmosphere (Corrosion)	Mil-Std 202G Method 101E Condition A
Ingress Protection Ratings	IP66, IP67, IP68 (6 ft. for 24 hours) per IEC60529, IP69K per DIN 40050-9, NEMA 250 6P
<b>MATERIAL</b>	
Outer Shell (Insulator), Hardware	Thermoplastic (PA)
Seal Grommets	Thermoplastic Elastomer (TPV)
Seal O-rings	Thermoplastic Elastomer (VMQ)
Electrical Contacts	Copper Alloy, Gold Plated
Spring, Terminal Screw	Stainless Steel

Contacts	Wire (awg)	Current Rating (A) at Operating Temperature (°C)					Minimum Test Voltage (V rms)	Voltage (V rms) tested per UL2238
		45°C max.	65°C max.	85°C max.	100°C max.	110°C max.		
3 #10	10	30	30	30	25*	20	2200	600
	12	25	25	25	20*	15		
	14	20	20	20	15*	10		
4 #10	10	30	30	30	25*	20		
	12	25	25	25	20*	15		
	14	20	20	20	15*	10		
5 #10	10	30	30	30	25*	20		
	12	25	25	25	20*	15		
	14	20	20	20	15*	10		

\*Temperature Rise does not exceed 30°C when tested according to UL2238. All other recommended current ratings are based on the Relative Thermal Index of the insulating material.

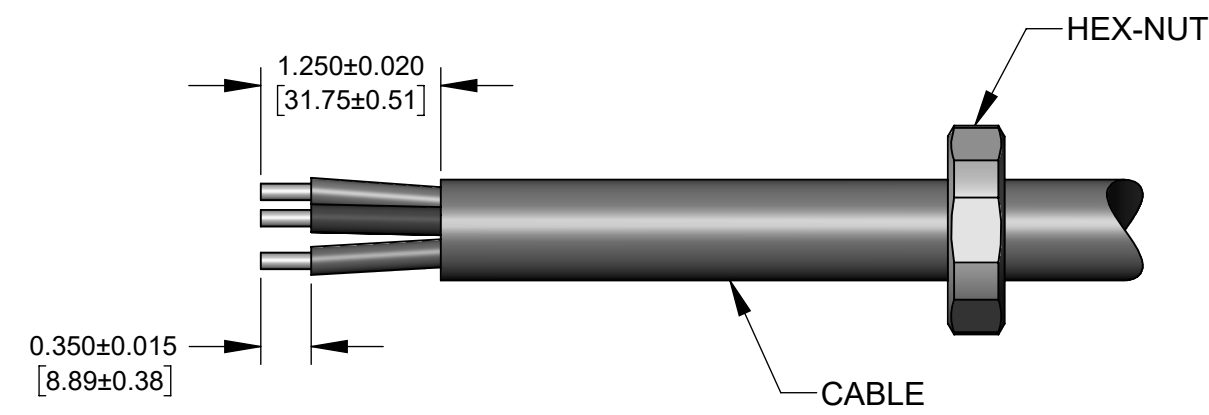
NOTES:

1. ALL DIMENSIONS FOR REFERENCE ONLY.
2. CONNECTORS PROVIDED UNASSEMBLED, SHOWN ASSEMBLED.
3. WARNING: DO NOT DISCONNECT THESE CONNECTORS UNDER LOAD.
4. THESE PRODUCTS ARE RoHS COMPLIANT.

CUSTOMER DRAWING

UNLESS OTHERWISE SPECIFIED				THIS DRAWING DESCRIBES A DESIGN CONSIDERED PROPRIETARY IN NATURE, DEVELOPED AND MANUFACTURED BY SWITCHCRAFT INC. AND IS RELEASED ON A CONFIDENTIAL BASIS FOR IDENTIFICATION PURPOSES ONLY.					
1. ALL DIMENSIONS IN INCHES [mm]				SIZE	WIDTH	MULT	LBS/M	TEMPER	
- TWO PLACE DECIMALS ±0.02 [0.5]				FINISH		MATERIAL			
- THREE PLACE DECIMALS ±0.005 [0.13]				SPEC No.		SPEC No.			
REV B 28693 08/02/24 PC TJK				FIRST USED ON		SCALE 1:1			
REV A 28688 07/02/24 PC TJK				DATE DRAWN	BY	CHKD	APVD	Switchcraft®	
REV				4/4/23	PNK	4/4/23	4/4/23		
REVISIONS				NAME MALE & FEMALE PANEL-MOUNT EP7P SERIES CONNECTORS				PART No. EP7P SERIES	REV B

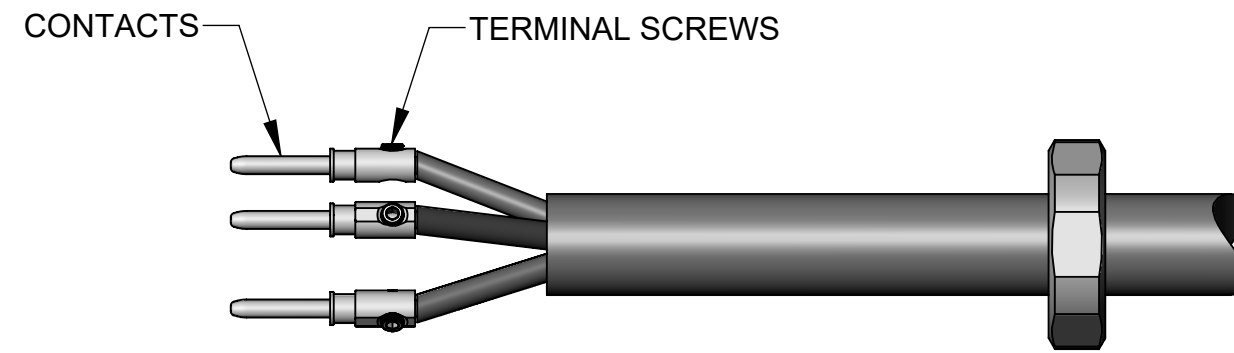
STEP 1



FEED THE FREE END OF CABLE THROUGH THE HEX-NUT.  
STRIP THE CABLE JACKET AND THE CONDUCTORS AS SHOWN.

STEP 2

5-POSITION PINS SHOWN



INSERT EACH STRIPPED CONDUCTOR INTO BARREL OF EACH CONTACT AND TIGHTEN TERMINAL SCREW USING A HEX DRIVE SIZE 2.

NOTE: THE PRE-ASSEMBLED TERMINAL SCREW ONTO CONTACT MAY HAVE TO BE BACKED OFF A LITTLE IN ORDER TO FIT THE 10 AWG WIRE IN THE BARREL WELL WITH EASE.

STEP 3

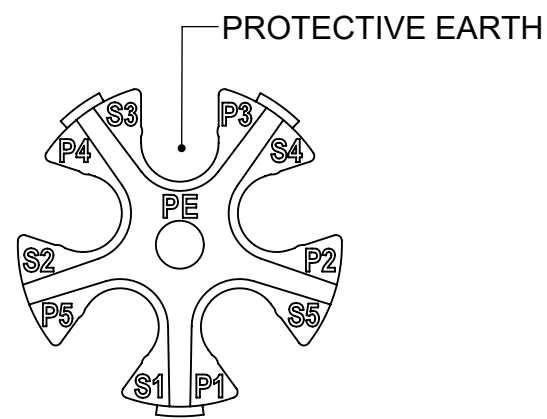
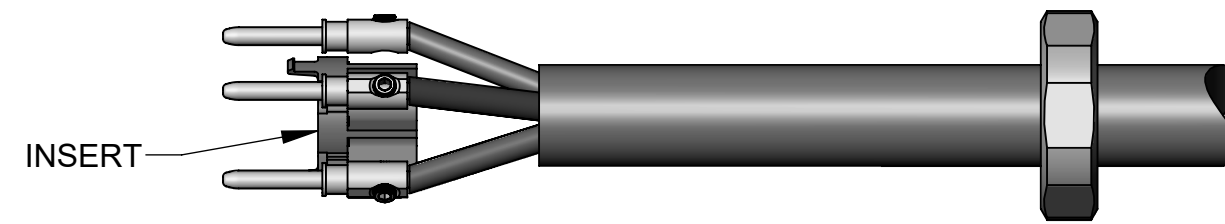


FIG A: INSERT (CONTACT CARRIER) REAR VIEW  
S1-S5: SOCKET CONTACT POSITIONS, COUNTED CLOCKWISE  
P1-P5: PIN CONTACT POSITIONS, COUNTED COUNTERCLOCKWISE



SPREAD THE WIRED CONTACTS APART RADIALLY AND POSITION INSERT BETWEEN CONTACTS PER WIRING DIAGRAM SHOWN IN FIG A.  
SNAP EACH CONTACT IN THE APPROPRIATE INSERT POCKET BY PUSHING FROM THE SIDE.

STEP 4

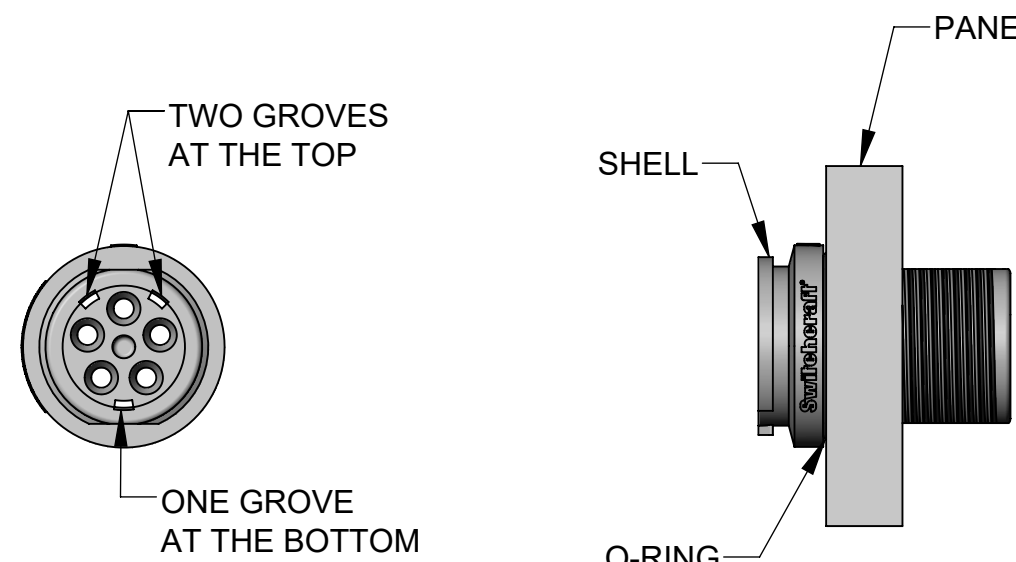
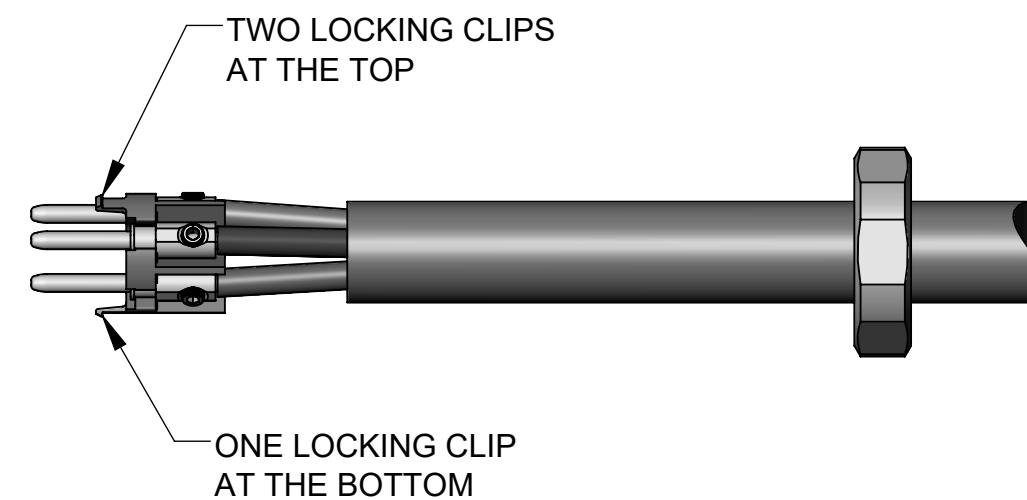
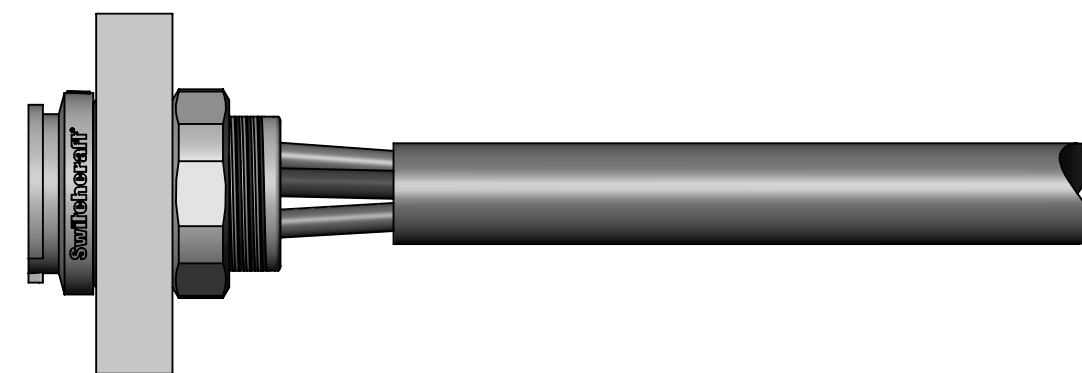


FIG B: SHELL ASSEMBLY REAR VIEW



INSERT SHELL/O-RING INTO PANEL AS SHOWN.  
ALIGN LOCKING CLIPS OF INSERT ASSEMBLY INTO GROOVES ON THE REAR OF THE SHELL ASSEMBLY (SEE FIG B) AND PUSH FORWARD UNTIL IT LOCKS IN PLACE.

STEP 5



FINISHED ASSEMBLY

THREAD HEX-NUT TO THE REAR OF SHELL AND TIGHTEN AGAINST PANEL TO SECURE CONNECTOR. A 35 mm WRENCH CAN BE USED, IF NECESSARY.

CUSTOMER DRAWING

SCALE 1:1	Switchcraft®	
DATE DRAWN 04/04/23		
DRAWN BY PNK	PART No. EP7P SERIES	REV B

# Mouser Electronics

Authorized Distributor

Click to View Pricing, Inventory, Delivery & Lifecycle Information:

[Switchcraft:](#)

[EP7P4F10](#) [EP7P5M10](#) [EP7P5F10](#) [EP7P3M10](#) [EP7P4M10](#) [EP7P3F10](#)