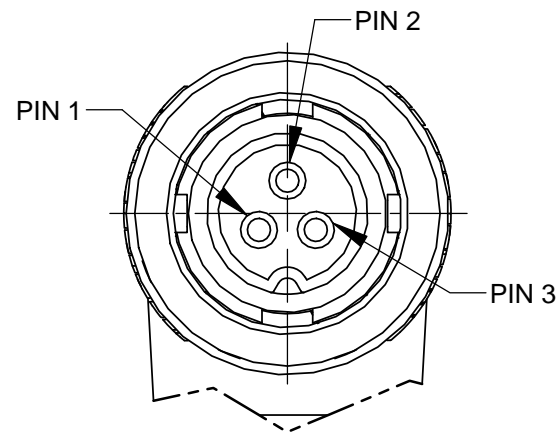


**EN2C3M20
RIGHT ANGLE OVERMOLDED**
OVERMOLD - BLACK THERMOPLASTIC RUBBER
CONNECTOR - BLACK THERMOPLASTIC, WITH INSERT
MOLDED BLACK THERMOPLASTIC RUBBER.
CONTACTS - COPPER ALLOY, GOLD PLATED

S.C.O




**EN2C3M20 VIEWED FROM
FRONT MATING
SIDE OF CONNECTOR
SCALE 3 : 1**

WIRING TABLE	
EN2C3M20	WIRE COLOR
PIN 1	BLACK
PIN 2	WHITE
PIN 3	GREEN

CUSTOMER DRAWING

NOTES:

1. THIS PRODUCT IS RoHS COMPLIANT.

					THIS DRAWING DESCRIBES A DESIGN CONSIDERED PROPRIETARY IN NATURE, DEVELOPED AND MANUFACTURED BY SWITCHCRAFT INC. AND IS RELEASED ON A CONFIDENTIAL BASIS FOR IDENTIFICATION PURPOSES ONLY.						
UNLESS OTHERWISE SPECIFIED					SIZE *	WIDTH *	MULT *	LBS/M *	TEMPER *		
1. ALL DIMENSIONS IN INCHES [mm]					FINISH *				MATERIAL *		
- TWO PLACE DECIMALS ±0.02 [0.5]					SPEC No. *				SPEC No. *		
- THREE PLACE DECIMALS ±0.005 [0.13]					FIRST USED ON *		SCALE 1:1				
DATE DRAWN		BY	CHKD	APVD							
11/23/16		AB	AB	*							
REV		ECO NUMBER	DATE	BY	APVD	NAME EN2C3M20 RIGHT ANGLE, ON 79" OF CABLE, RoHS			PART No. CARAEN2C3M07990	REV 0A	
REVISIONS					DO NOT SCALE DRAWING					SHEET 1 OF 1	

Mouser Electronics

Authorized Distributor

Click to View Pricing, Inventory, Delivery & Lifecycle Information:

[Switchcraft:](#)

[CARAEN2C3M07990](#)