

CUSTOMER PRINT

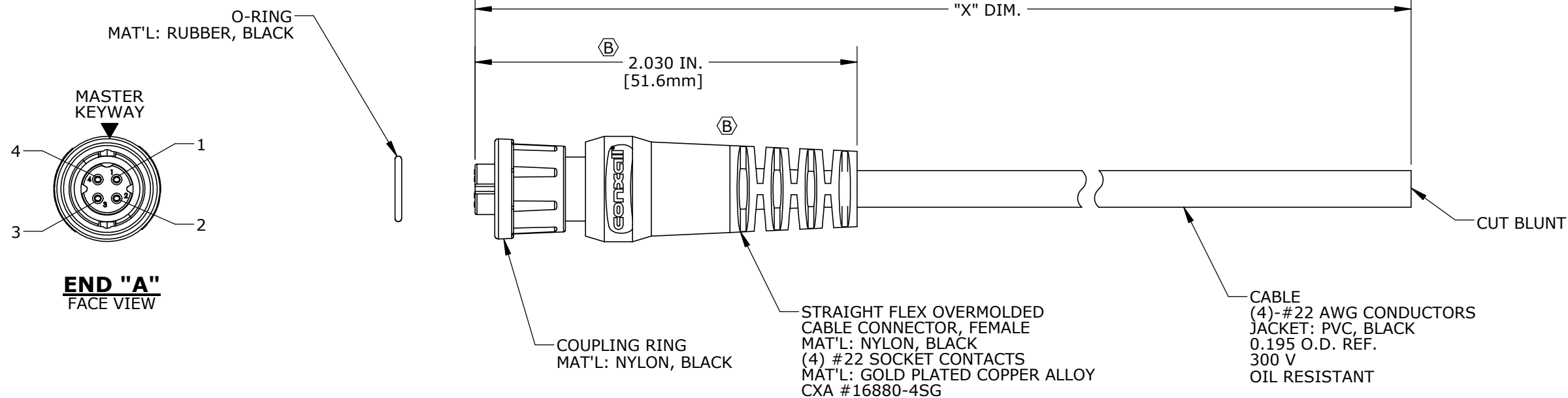
PART NUMBER: CA168804SXXX90

NOTES:

1. FINISHED CABLE ASSEMBLY 3 FEET OR SHORTER TO BE BUNDLED.
FINISHED CABLE ASSEMBLY OVER 3 FEET TO BE COILED.
2. OVERMOLD BOOT MATERIAL: PVC, BLACK
3. ELECTRICAL TEST: 100% CONTINUITY
4. ALL DIMENSIONS ARE REFERENCE ONLY EXCEPT WHEN NOTED WITH TOLERANCE

ASS'Y P/N	"X" DIM.
CA168804S03990	3 FT. 3 1/2 IN. ± 2 IN. [1M]
CA168804S07990	6 FT. 7 IN. ± 2 IN. [2M]
CA168804S19790	16 FT. 5 IN. ± 4 IN. [5M]
CA168804S39490	32 FT. 9 3/4 IN. ± 8 IN. [10M]
CA168804SXXX90	

CABLE LENGTH IN "INCHES"



WIRE COLOR CODE, END "A"			
POS. 1	POS. 2	POS. 3	POS. 4
BLK	WHT	BLU	BRN

DIMENSIONS IN BRACKET [] ARE METRIC.

CUSTOMER APPROVAL

THIS DOCUMENT CONTAINS CONFIDENTIAL INFORMATION PROPRIETARY TO CONXALL CORPORATION. ANY REPRODUCTION, DISCLOSURE, OR USE OF THIS DOCUMENT /INFORMATION IS EXPRESSLY PROHIBITED UNLESS AUTHORIZED IN WRITING BY CONXALL CORPORATION.

APPROVED BY: _____

DATE: _____

RoHS COMPLIANT

B	AN	03-18-21	CHANGED TO FLEX OVERMOLD, UPDATED CONN. DIM. PER ECR 9574
A	AN	09-16-19	DRAWING CREATED PER DOR 19-SQ104237JS
REV.	INIT.	DATE	DESCRIPTION
ALL INFORMATION ILLUSTRATED IS THE PROPERTY OF "CONXALL CORPORATION". UNAUTHORIZED DUPLICATION OR DISTRIBUTION OF THIS DOCUMENT IS PROHIBITED.		ORIG. DRAWN BY: AN	DATE: 08-20-19
ALL UNITS ARE IN FEET, INCHES, FRACTIONS OF INCHES AND DECIMALS.		CHECKED BY:	
		APPROVED BY:	TITLE: CABLE ASSEMBLY (4) #22 SOCKET CONTACTS MICRO-CON-X, STRAIGHT STANDARD PRODUCT
SCALE: NTS	SIZE: B	SHEET: 1 OF 1	CUSTOMER: CA168804SXXX90
FILE: CA168804SXXX90		DIRECTORY: SLW	PART NUMBER: CA168804SXXX90
			REV B



601 E. WILDWOOD VILLA PARK, IL 60181

Mouser Electronics

Authorized Distributor

Click to View Pricing, Inventory, Delivery & Lifecycle Information:

[Switchcraft:](#)

[CA168804S07990](#)