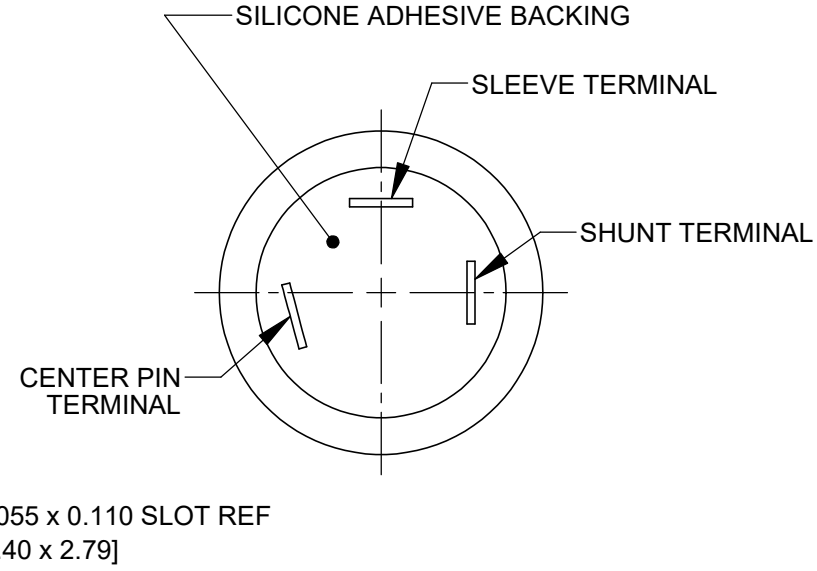
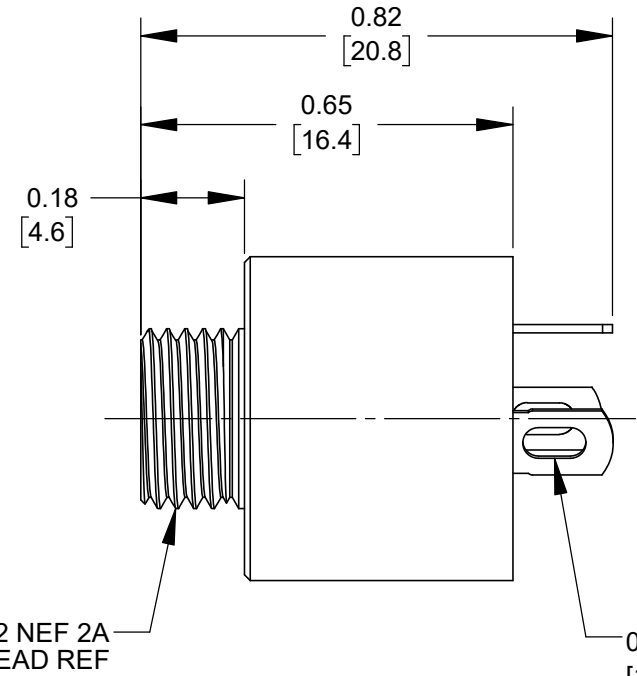
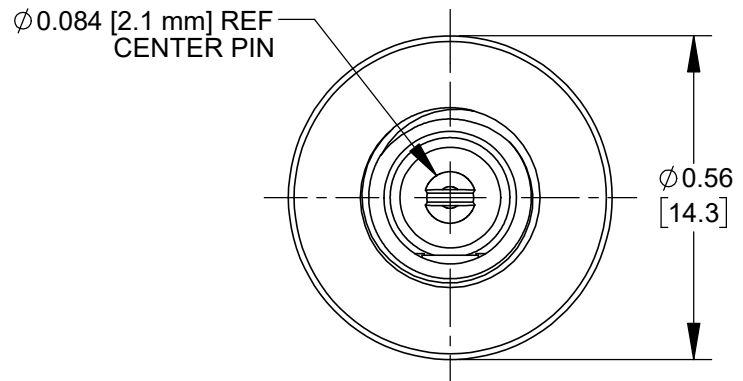
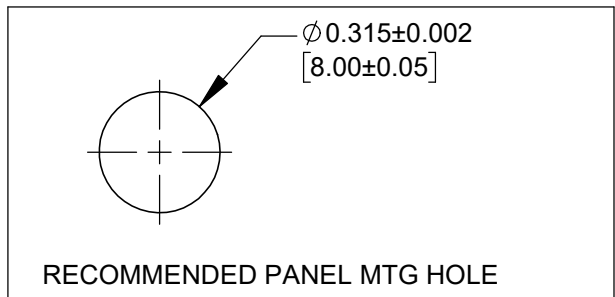
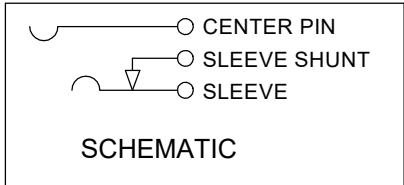
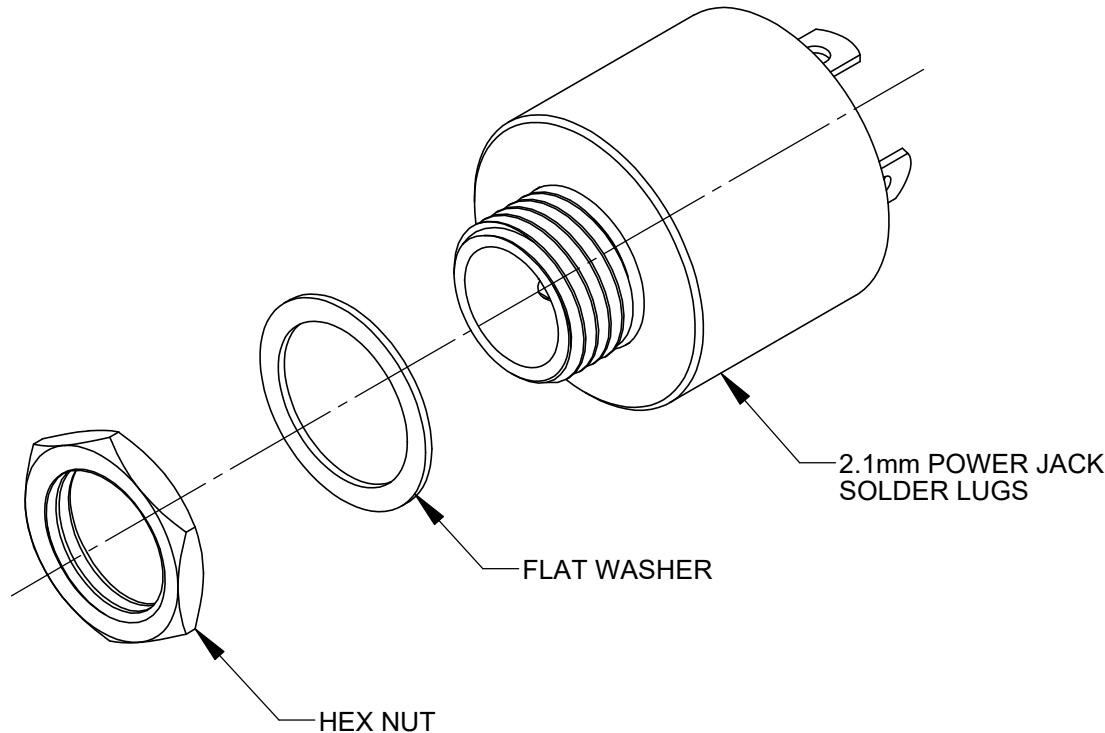


PART NUMBER	DESCRIPTION	SWITCHCRAFT MATING 2.1mm POWER PLUGS
721AU	2.1mm POWER JACK, SOLDER LUGS	762, 763, 762K, 763K



- NOTES:**
- DIMENSIONS SHOWN FOR REFERENCE ONLY.
 - HEX NUT AND FLAT WASHER SUPPLIED UNASSEMBLED.
 - MATERIAL:**
HOUSING, HEX NUT - COPPER ALLOY, NICKEL PLATED
INSULATOR HOUSING - THERMOPLASTIC, RED
TERMINAL INSULATORS - PHENOLIC
FLAT WASHER - STEEL, NICKEL PLATED
PIN, SPRING, TERMINALS - COPPER ALLOY, SILVER PLATED
SEAL COVER, O-RING - SILICONE, BLACK
POTTING COMPOUND - SILICONE ADHESIVE, LIGHT GRAY
 - IT IS RECOMMENDED THAT THE JACK MOUNTING NUT BE TIGHTENED SNUG BY HAND BEFORE APPLYING A FINAL TIGHTENING TORQUE OF 3-4 LB-IN USING HAND TOOLS ONLY. POWER DRIVER OR IMPACT DRIVERS ARE NOT RECOMMENDED.
 - THIS PRODUCT IS RoHS COMPLIANT.

CUSTOMER DRAWING

					THIS DRAWING DESCRIBES A DESIGN CONSIDERED PROPRIETARY IN NATURE, DEVELOPED AND MANUFACTURED BY SWITCHCRAFT INC. AND IS RELEASED ON A CONFIDENTIAL BASIS FOR IDENTIFICATION PURPOSES ONLY.						
					SIZE	WIDTH	MULT	LBS/M	TEMPER		
					UNLESS OTHERWISE SPECIFIED				MATERIAL SPEC No.		
					1. ALL DIMENSIONS IN INCHES [mm]						
					- TWO PLACE DECIMALS ±0.02 [0.5]						
					- THREE PLACE DECIMALS ±0.005 [0.13]				SHEET 1 OF 1		
REV	ECO NUMBER	DATE	BY	APVD	DATE DRAWN	BY	CHKD	APVD	PART No.	REV	
A	28689	07/16/24	PC	TJK	5/23/24	PNK	PNK	SRC	721AU	A	
REVISIONS					DO NOT SCALE DRAWING					NAME 2.1mm POWER JACKS SOLDER LUGS, SEALED UNMATED, RoHS	

Mouser Electronics

Authorized Distributor

Click to View Pricing, Inventory, Delivery & Lifecycle Information:

[Switchcraft:](#)

[721AU](#)