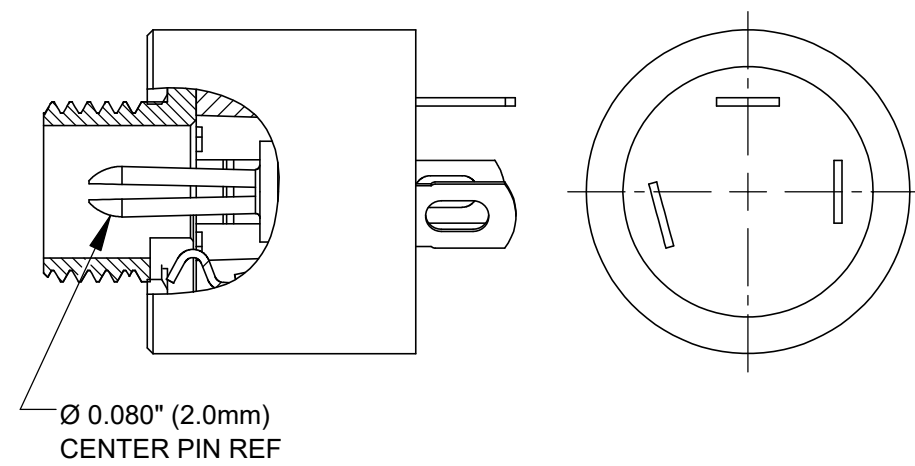
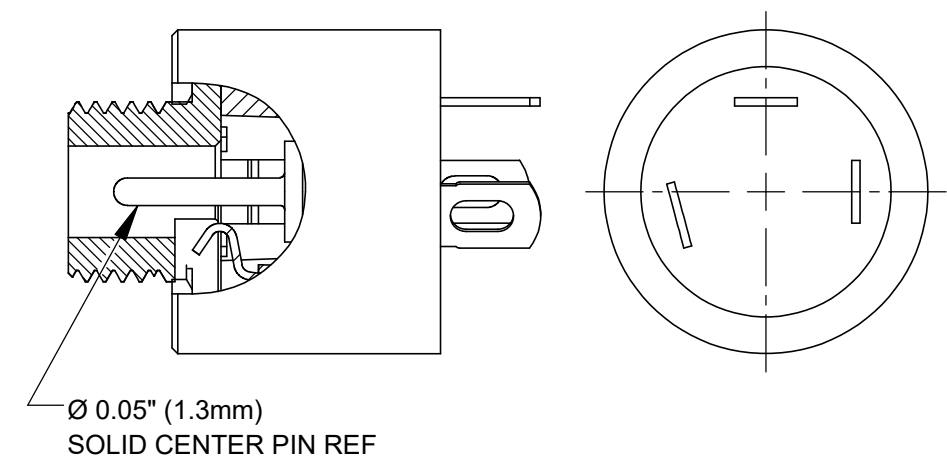


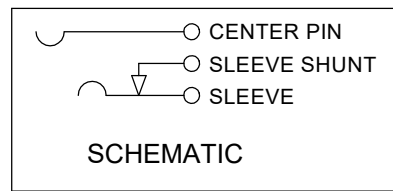
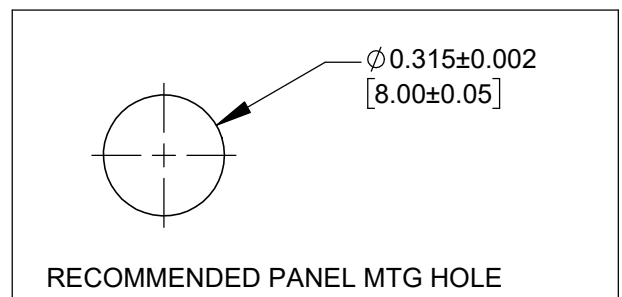
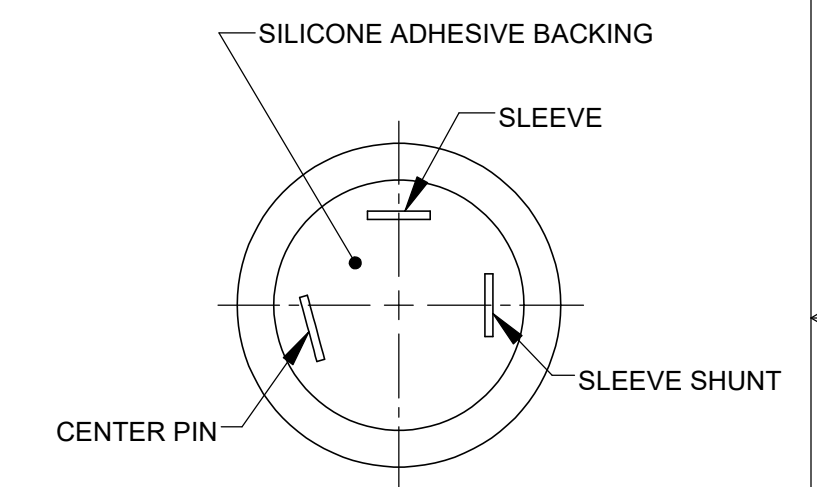
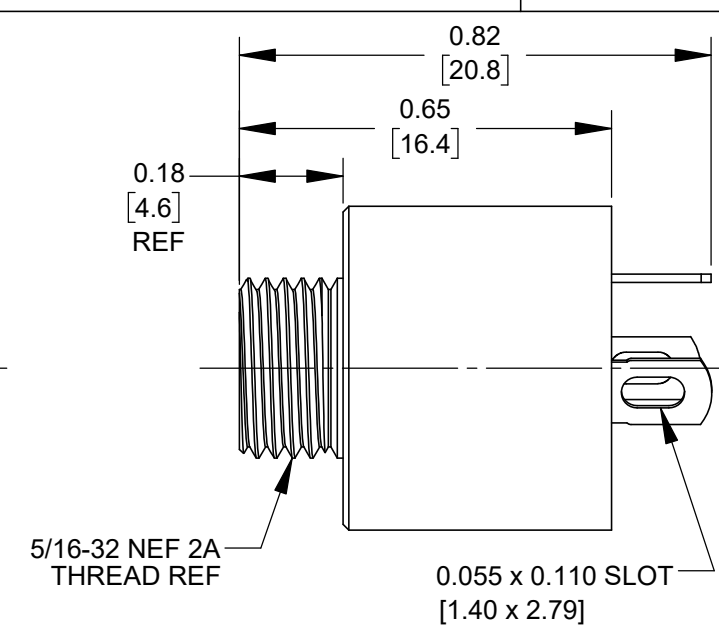
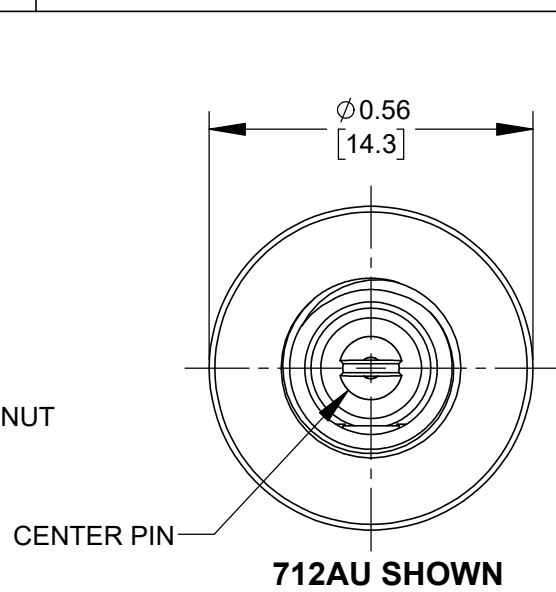
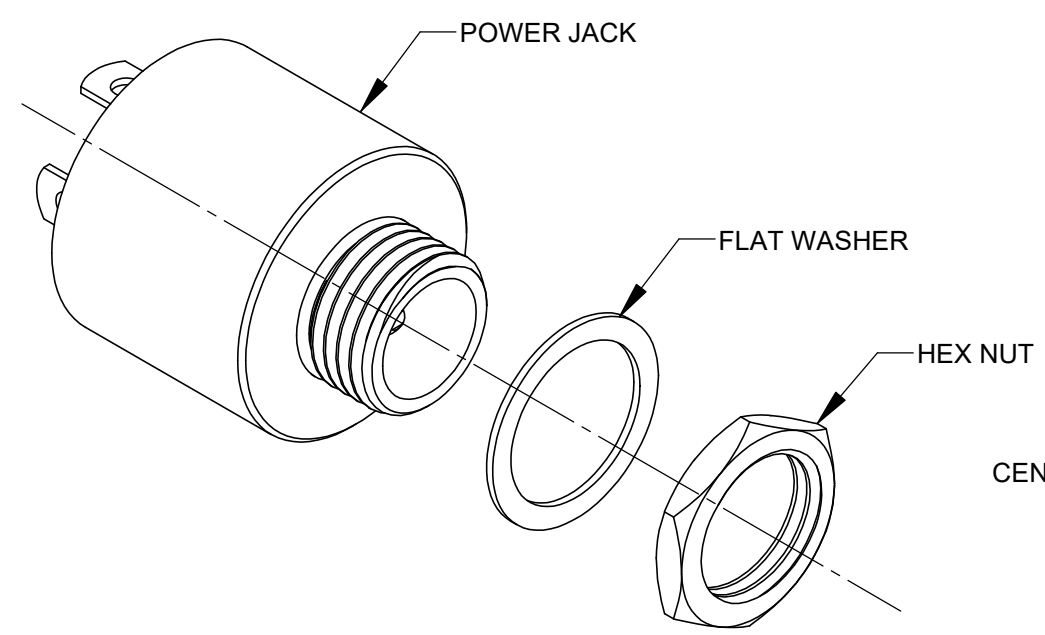
**712AU**



**722AU**



**732AU**



**CUSTOMER DRAWING**

- NOTES:
1. DIMENSIONS SHOWN FOR REFERENCE ONLY.
  2. HEX NUT AND FLAT WASHER SUPPLIED UNASSEMBLED.
  3. MATERIAL:  
HOUSING, HEX NUT - COPPER ALLOY, NICKEL PLATED  
INSULATOR HOUSING - THERMOPLASTIC, BLACK  
TERMINAL INSULATORS - PHENOLIC  
FLAT WASHER - STEEL, NICKEL PLATED  
PIN, SPRING, TERMINALS - COPPER ALLOY, SILVER PLATED  
SEAL COVER, O-RING - SILICONE, BLACK  
POTTING COMPOUND - SILICONE ADHESIVE, LIGHT GRAY
  4. IT IS RECOMMENDED THAT THE JACK MOUNTING NUT BE TIGHTENED SNUG BY HAND BEFORE APPLYING A FINAL TIGHTENING TORQUE OF 3-4 LB-IN USING HAND TOOLS ONLY. POWER DRIVER OR IMPACT DRIVERS ARE NOT RECOMMENDED.
  5. THESE PRODUCTS ARE RoHS COMPLIANT

REV	ECO NUMBER	DATE	BY	APVD
A	28689	07/16/24	PC	TJK
REVISIONS				

UNLESS OTHERWISE SPECIFIED

1. ALL DIMENSIONS IN INCHES [mm]  
- TWO PLACE DECIMALS ±0.02 [0.5]  
- THREE PLACE DECIMALS ±0.005 [0.13]

DO NOT SCALE DRAWING

THIS DRAWING DESCRIBES A DESIGN CONSIDERED PROPRIETARY IN NATURE, DEVELOPED AND MANUFACTURED BY SWITCHCRAFT INC. AND IS RELEASED ON A CONFIDENTIAL BASIS FOR IDENTIFICATION PURPOSES ONLY.									
SIZE	WIDTH	MULT	LBS/M	TEMPER					
FINISH					MATERIAL				
SPEC No.					SPEC No.				
FIRST USED ON			SCALE						
			3:1						
DATE DRAWN	BY	CHKD	APVD						
02-08-24	PNK	PNK	SRC						
			02-08-24	02-08-24	SHEET 1 OF 1				
NAME			POWER JACKS		PART No.		REV		
			SEALED UNMATED, RoHS		712AU 722AU 732AU		A		

# Mouser Electronics

Authorized Distributor

Click to View Pricing, Inventory, Delivery & Lifecycle Information:

[Switchcraft:](#)

[712AU](#) [722AU](#) [732AU](#)