

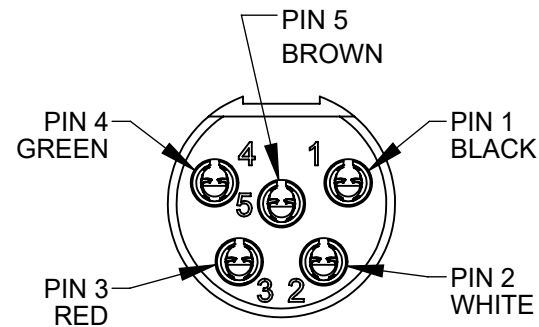
**ST-605**  
OVERMOLDED 5 PIN FEMALE TINI QG

CONTACTS - SPECIAL COPPER ALLOY, SILVER PLATED  
INSULATOR - NATURAL (BROWN) THERMOPLASTIC  
SHELL - COPPER ALLOY, NICKEL PLATED  
OVERMOLD - BLACK THERMOPLASTIC.

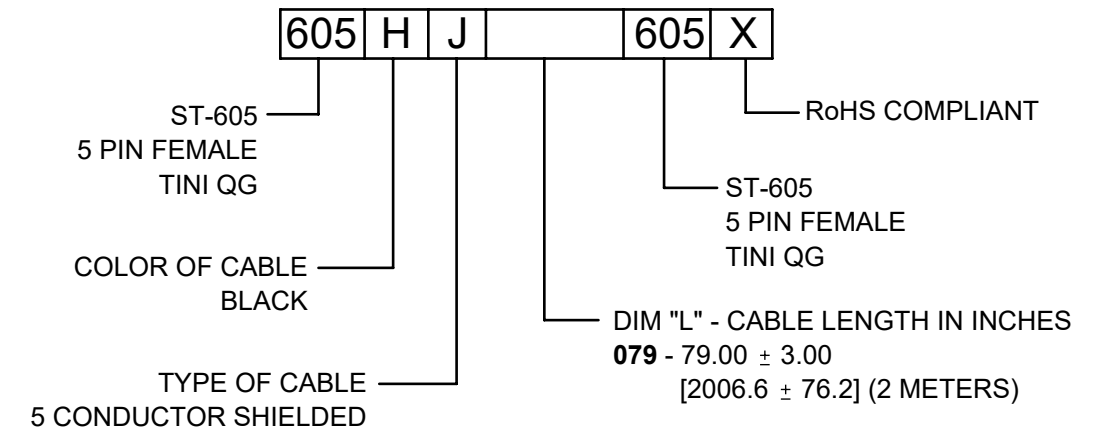
**ST-605**  
OVERMOLDED 5 PIN FEMALE TINI QG

CONTACTS - SPECIAL COPPER ALLOY, SILVER PLATED  
INSULATOR - NATURAL (BROWN) THERMOPLASTIC  
SHELL - COPPER ALLOY, NICKEL PLATED  
OVERMOLD - BLACK THERMOPLASTIC.

WIRING CHART STRAIGHT THRU WIRING		
ST-605	WIRE COLOR	ST-605
PIN 1	BLACK	PIN 1
PIN 2	WHITE	PIN 2
PIN 3	RED	PIN 3
PIN 4	GREEN	PIN 4
PIN 5	BROWN	PIN 5
SHELL	SHIELD/ DRAINWIRE	SHELL



**ST-605**  
FRONT MATING VIEW  
BOTH ENDS



**NOTES:**

1. THIS PRODUCT IS RoHS COMPLIANT.

					THIS DRAWING DESCRIBES A DESIGN CONSIDERED PROPRIETARY IN NATURE, DEVELOPED AND MANUFACTURED BY SWITCHCRAFT INC. AND IS RELEASED ON A CONFIDENTIAL BASIS FOR IDENTIFICATION PURPOSES ONLY.				
					SIZE	WIDTH	MULT	LBS/M	TEMPER
					FINISH			MATERIAL	
					SPEC No.			SPEC No.	
					FIRST USED ON		SCALE 1.5:1		
					DATE DRAWN	BY	CHKD	APVD	<b>Switchcraft</b> <sup>®</sup>
					7/28/20	AB	AB	TJK	
					7/28/20			8/10/20	SHEET 1 OF 1
					NAME			PART No.	
					CABLE ASSEMBLY, DOUBLE ENDED 5 PIN FEMALE TINI QG, RoHS			605HJ__605X	
					REVISIONS			REV A	
					DO NOT SCALE DRAWING				

**CUSTOMER DRAWING**

# Mouser Electronics

Authorized Distributor

Click to View Pricing, Inventory, Delivery & Lifecycle Information:

[Switchcraft:](#)

[605HJ079605X](#)