

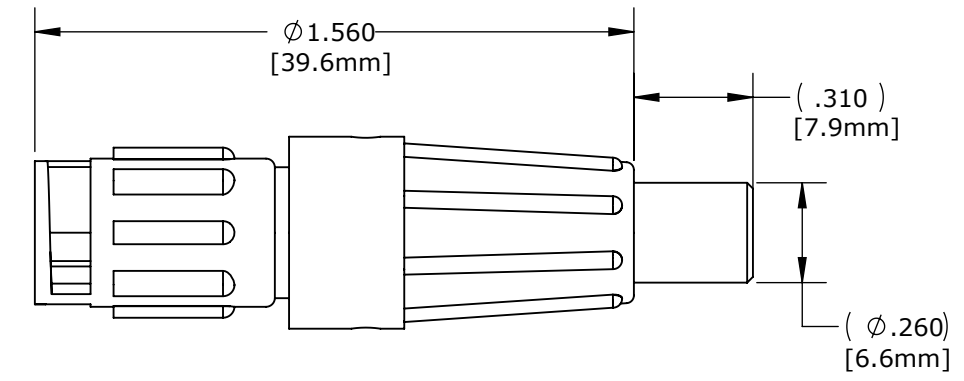
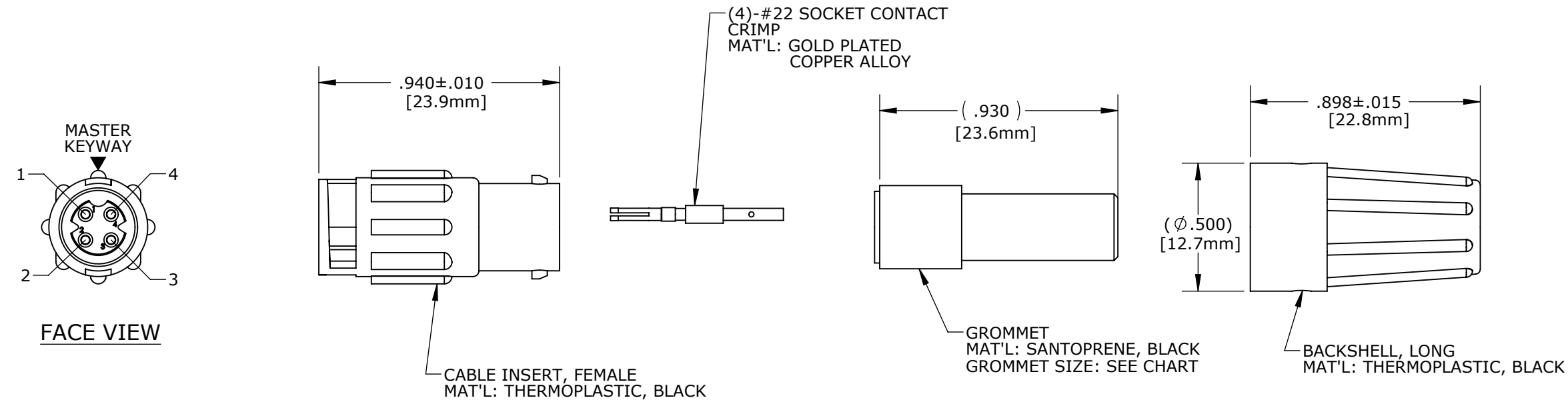
CUSTOMER PRINT

PART NUMBER: 18880-4SG-5XX

- NOTES:
 1. PARTS ARE TO BE BULK PACKED.
 2. PARENTHESIS () INDICATE REFERENCE DIMENSION.
 3. BRACKETS [] INDICATE METRIC DIMENSIONS.

ASS'Y P/N	CABLE O.D.
18880-4SG-518	0.175 - 0.185 [4.4-4.7]
18880-4SG-521	0.205 - 0.215 [5.2-5.5]
18880-4SG-522	0.215 - 0.225 [5.5-5.7]

GROMMET SIZE



CUSTOMER APPROVAL

THIS DOCUMENT CONTAINS CONFIDENTIAL INFORMATION PROPRIETARY TO CONXALL CORPORATION. ANY REPRODUCTION, DISCLOSURE, OR USE OF THIS DOCUMENT /INFORMATION IS EXPRESSLY PROHIBITED UNLESS AUTHORIZED IN WRITING BY CONXALL CORPORATION.

APPROVED BY: _____
 DATE: _____

RoHS COMPLIANT

B	AN	01-15-14	DRAWING NO. WAS 18880-4SG-XXX, REMOVED SHORT BACKSHELL ASSEMBLIES, ADDED TOLERANCES AND MATERIALS. PER ECR 8074
		08/09/10	CHANGED CONTACT CRIMP BARREL FROM 20AWG TO 22AWG
A	PAK	04/01/10	DRAWING CREATED PER DOR 06-E168CS
REV.	INIT.	DATE	DESCRIPTION
	PAK	03/24/10	ORIG. DRAWN BY: DATE: 03/24/10
ALL INFORMATION ILLUSTRATED IS THE PROPERTY OF "CONXALL CORPORATION." UNAUTHORIZED DUPLICATION OR DISTRIBUTION OF THIS DOCUMENT IS PROHIBITED.			<p>601 E. WILDWOOD VILLA PARK, IL 60181</p>
ALL UNITS ARE IN FEET, INCHES, FRACTION OF INCHES AND DECIMALS.			
APPROVED BY:		TITLE: IN-LINE CONNECTOR KIT (4) #22 SOCKET CONTACT, CRIMP MICRO-CON-X	
SCALE	SIZE	SHEET	CUSTOMER: STANDARD PRODUCT
NTS	B	1 OF 1	
FILE:	DIRECTORY:	PART NUMBER:	REV
18880-4SG-5XX	SLW	18880-4SG-5XX	B

Mouser Electronics

Authorized Distributor

Click to View Pricing, Inventory, Delivery & Lifecycle Information:

[Switchcraft:](#)

[18880-4SG-518](#) [18880-4SG-521](#) [16880-4SG-518](#) [16880-4SG-521](#)