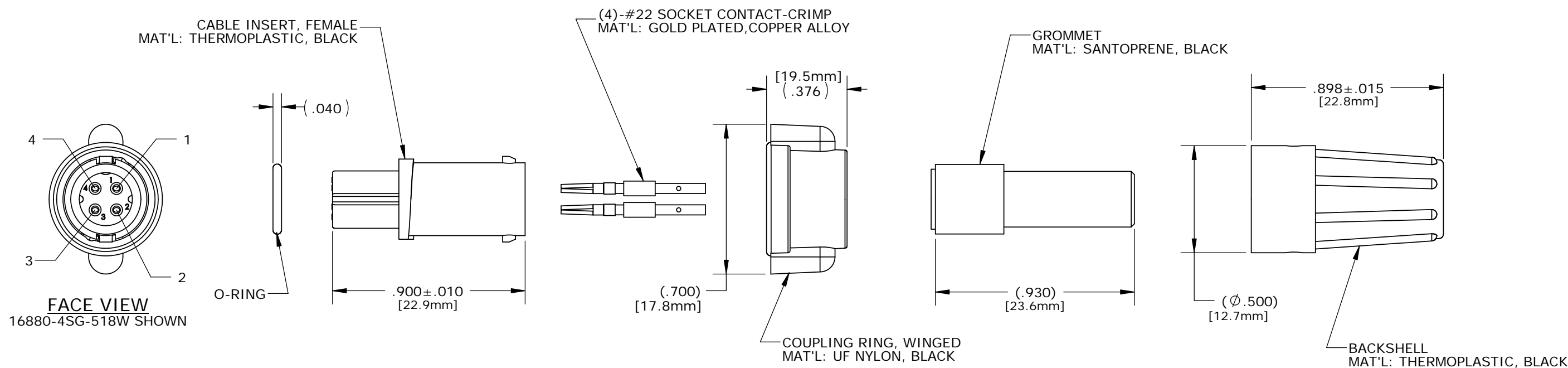


NOTES:

1. PARTS ARE TO BE BULK PACKED.
2. PARENTHESIS () INDICATE REFERENCE DIMENSION.
3. BRACKETS [] INDICATE METRIC DIMENSIONS.

ASS'Y P/N	CABLE O.D.
16880-4SG-518W	0.175 - 0.185 [4.4-4.7]
16880-4SG-521W	0.205 - 0.215 [5.2-5.5]
16880-4SG-522W	0.215 - 0.225 [5.5-5.7]

GROMMET SIZE



ASSEMBLED KIT VIEW
FOR CUSTOMER REFERENCE ONLY

CUSTOMER APPROVAL

THIS DOCUMENT CONTAINS CONFIDENTIAL INFORMATION PROPRIETARY TO CONXALL CORPORATION. ANY REPRODUCTION, DISCLOSURE, OR USE OF THIS DOCUMENT /INFORMATION IS EXPRESSLY PROHIBITED UNLESS AUTHORIZED IN WRITING BY CONXALL CORPORATION.

APPROVED BY: _____
DATE: _____

RoHS COMPLIANT

A	JD	03/25/14	DRAWING CREATED PER DOR 14-E149SL(6)	
REV.	INIT.	DATE	DESCRIPTION	
	JD	03/25/14	ALL INFORMATION ILLUSTRATED IS THE PROPERTY OF "CONXALL CORPORATION". UNAUTHORIZED DUPLICATION OR DISTRIBUTION OF THIS DOCUMENT IS PROHIBITED.	
ALL UNITS ARE IN FEET, INCHES, FRACTION OF INCHES AND DECIMALS.			conxall 601 E. WILDWOOD VILLA PARK, IL 60181	
APPROVED BY: _____			TITLE: CABLE CONNECTOR KIT (4)-#22 SOCKET CONTACT, CRIMP MICRO-CON-X, 4 POS. STANDARD PRODUCT	
SCALE	SIZE	SHEET	CUSTOMER:	
NTS	B	11 OF 1	STANDARD PRODUCT	
FILE:	DIRECTORY:	PART NUMBER:	REV	
16880-4SG-5XXW	SLW	16880-4SG-5XXW	A	

Mouser Electronics

Authorized Distributor

Click to View Pricing, Inventory, Delivery & Lifecycle Information:

[Switchcraft:](#)

[16880-4SG-518W](#)