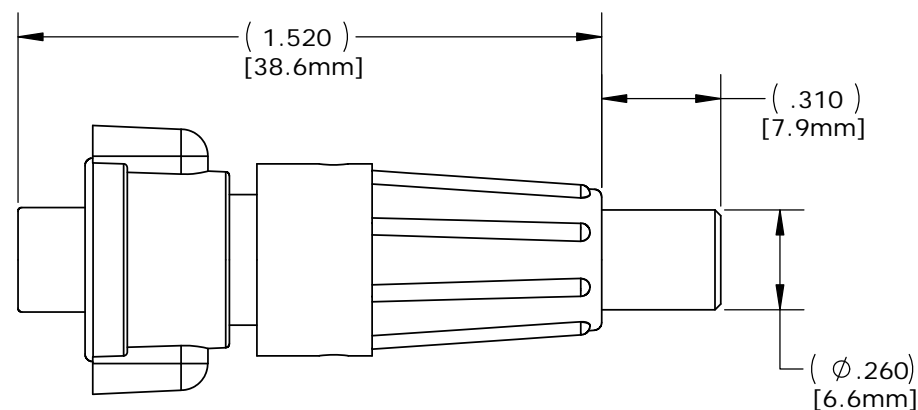
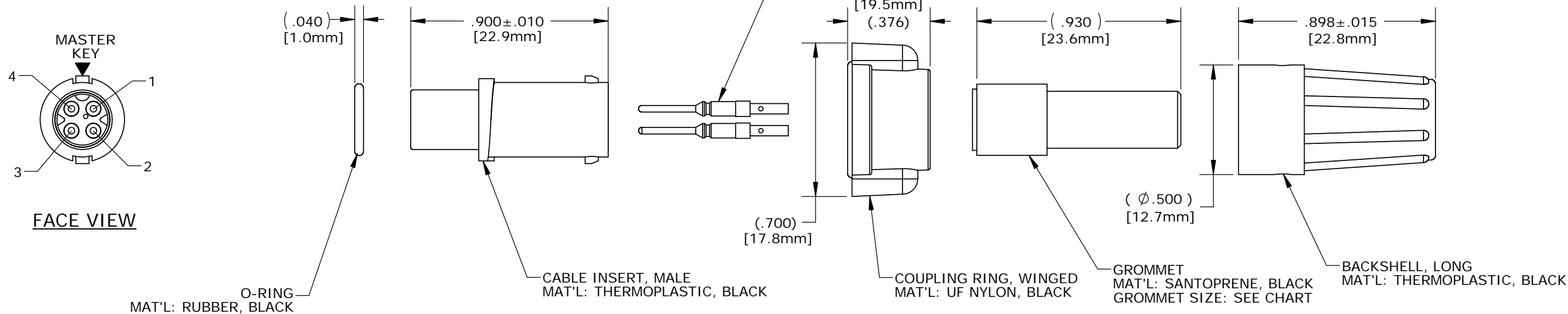


NOTES:

1. PARTS ARE TO BE BULKED PACKED.
2. PARENTHESIS () INDICATE REFERENCE DIMENSION.
3. BRACKETS [] INDICATE METRIC DIMENSIONS.

ASS'Y P/N	CABLE O.D.
16880-4PG-518W	0.175 - 0.185 [4.4-4.7]
16880-4PG-521W	0.205 - 0.215 [5.2-5.5]
16880-4PG-522W	0.215 - 0.225 [5.5-5.7]

GROMMET SIZE



ASSEMBLED KIT VIEW
FOR CUSTOMER REFERENCE ONLY

CUSTOMER APPROVAL

THIS DOCUMENT CONTAINS CONFIDENTIAL INFORMATION PROPRIETARY TO CONXALL CORPORATION. ANY REPRODUCTION, DISCLOSURE, OR USE OF THIS DOCUMENT / INFORMATION IS EXPRESSLY PROHIBITED UNLESS AUTHORIZED IN WRITING BY CONXALL CORPORATION.

APPROVED BY: _____

DATE: _____

RoHS COMPLIANT

A	JD	03-25-14	DRAWING CREATED PER DOR 14-149SL(6)	
REV.	INIT.	DATE	DESCRIPTION	
			ORIG. DRAWN BY: PAK	DATE: 02/24/10
ALL INFORMATION ILLUSTRATED IS THE PROPERTY OF "CONXALL CORPORATION". UNAUTHORIZED DUPLICATION OR DISTRIBUTION OF THIS DOCUMENT IS PROHIBITED.			<p>601 E. WILDWOOD VILLA PARK, IL 60181</p>	
ALL UNITS ARE IN FEET, INCHES, FRACTION OF INCHES AND DECIMALS.			APPROVED BY:	
			CUSTOMER: 16880-4PG-5XXW	
SCALE: NTS	SIZE: B	SHEET: 1 OF 1	PART NUMBER: 16880-4PG-5XXW	
FILE: 16880-4PG-5XXW		DIRECTORY: SLW	REV: A	

Mouser Electronics

Authorized Distributor

Click to View Pricing, Inventory, Delivery & Lifecycle Information:

[Switchcraft:](#)

[16880-4PG-518W](#)