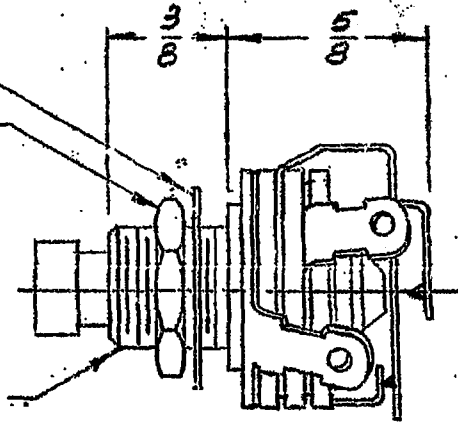


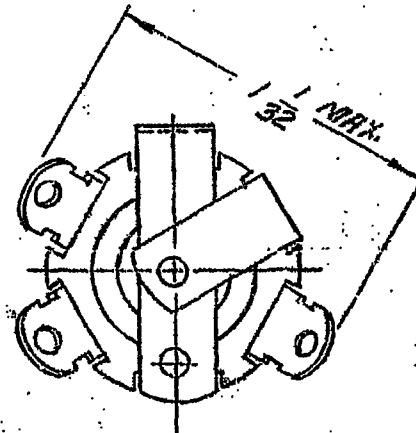
5/8 O.D. STL. WASHER
NI.PL. 1/2 NUT-BRASS NI.PL.



3/8-32 UNEF-2 THD.

MATERIALS:

1. BUSHING-BRASS-NI. PL.
2. SPRINGS- NI. SILVER-SPG. TEMP.
3. SPACERS-PAPER BASE PHENOLIC
4. PUSHBUTTON-RED



CUSTOMER DRAWING

REV	BY	DATE	DESCRIPTION
1	REDRAWN	5-14-64	
2	REC 1411		
A	REC 20627		

THIS DRAWING DEEMES A DESIGN CONSIDERED PROPRIETARY IN NAWAHE, DEVELOPED AND MANUFACTURED BY SWITCHCHAPT. INC. AND IS RELEASED ON A CONFIDENTIAL BASIS FOR IDENTIFICATION PURPOSE ONLY.

UNLESS OTHERWISE SPECIFIED:

1. DECIMAL DIMENSIONS ± .005
2. FRACTIONAL DIMENSIONS ± 1/64
3. ANGLES ± 1/2°
4. ALL DIA'S CONCENTRIC WITHIN .003 T.I.R.
5. ALL DIMENSIONS IN INCHES
6. FOR THREADS USE UNIFIED PLUG AND RING GAGES ONLY.
7. REMOVE ALL BURRS.
8. PART TO BE FABRICATED AS SPECIFIED. MAKE NO DIMENSIONAL ALLOWANCES FOR APPLIED FINISHES, I.E., PLATING, PAINTING, ETC.
9. HOLES ON SAME CENTERLINE MUST BE ALIGNED WITHIN ± .002

DO NOT SCALE DRAWING

DRAWN BY <i>J.P.R.</i>	DATE 5-16-64	FINISH
CHECKED BY <i>C.P.S.</i>	DATE 5-14-64	PER FINISH SPEC. NO.
APPROVED BY <i>L.6</i>	DATE 5-19-64	MATERIAL
SCALE 2:1	FIRST USED ON	PER MAT. SPEC. NO.
NAME NON-LOCKING LITTEL SWITCH		PART NO. 103
		ISSUE A

Mouser Electronics

Authorized Distributor

Click to View Pricing, Inventory, Delivery & Lifecycle Information:

[Switchcraft:](#)

[103](#)