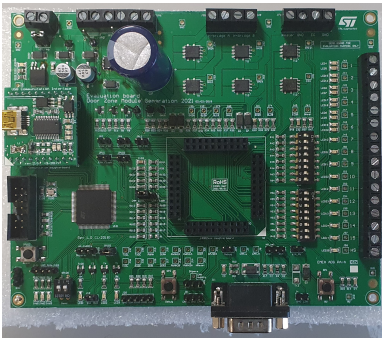
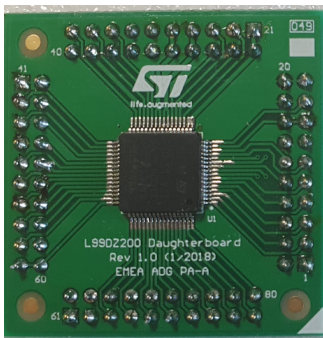


Door zone evaluation board based on L99DZ200G



Motherboard



Daughter board

Product status link

[EVAL-L99DZ200](#)

Product summary

Order code	EVAL-L99DZ200
Related device	L99DZ200G motherboard and daughter board

Features

- Board functionality based on L99DZ200G, automotive front door device with LIN and CAN providing dual H-bridge driving
- Mother Board size: 150 mm length x 120 mm width
- Daughter Board size: 36.8 mm length x 35.6 mm width
- Board reverse battery protection with STL64N4F7AG Power MOSFET
- H-bridge with 4 x STL76N4F7AG Power MOSFETs
- Heater and electro chrome with 2x STL19N3LLH6AG Power MOSFETs
- FDTI for PC control via USB
- All ST components are automotive-grade qualified

Application

- Front drives Rear door zone architecture
- Power trunk / tailgate

Description

The EVAL-L99DZ200 evaluation board is designed for the Front drives Rear door zone architecture and for the power trunk applications.

The board is composed by a motherboard and a daughter board. The motherboard, which is based on the SPC582B60 microcontroller, provides the logic section for monitoring and driving the L99DZ200G device assembled on the daughter board.

With the aim of facilitating the use and configuration of the board, STMicroelectronics provides a dedicated user-friendly software with a graphic user interface (GUI). This GUI enables the user to set the L99DZ200G control parameters and at the same time shows real time diagnostics information as current output and battery voltage monitoring.

1 Application schematics and layout

1.1 Overall application diagram

Figure 1. EVAL-L99DZ200 application diagram

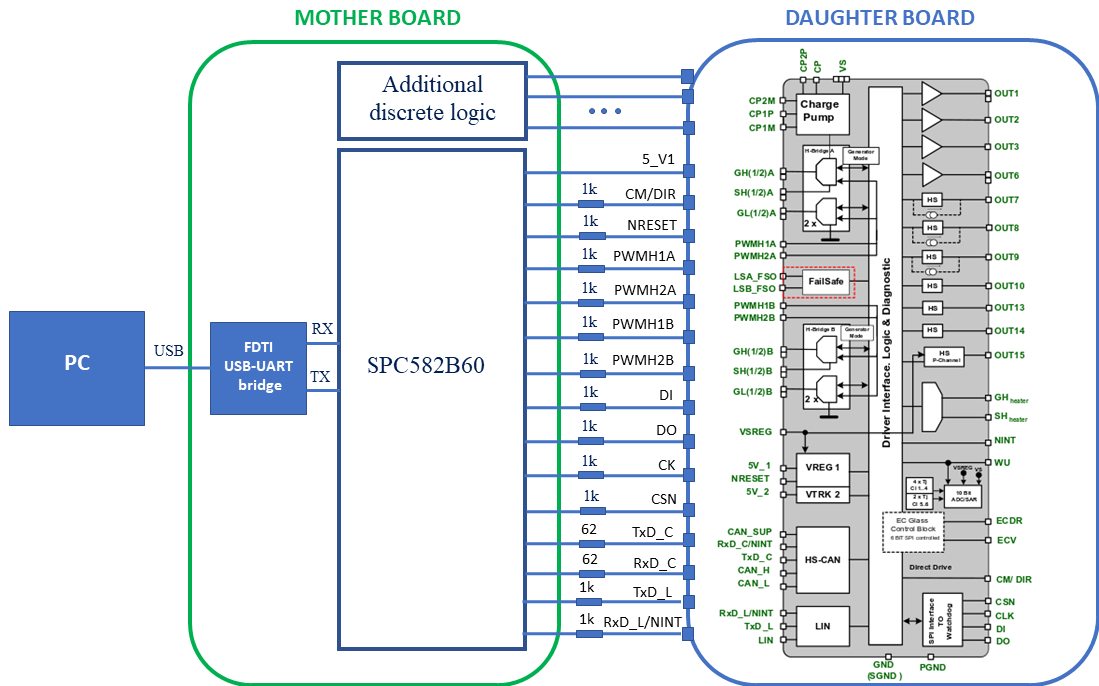
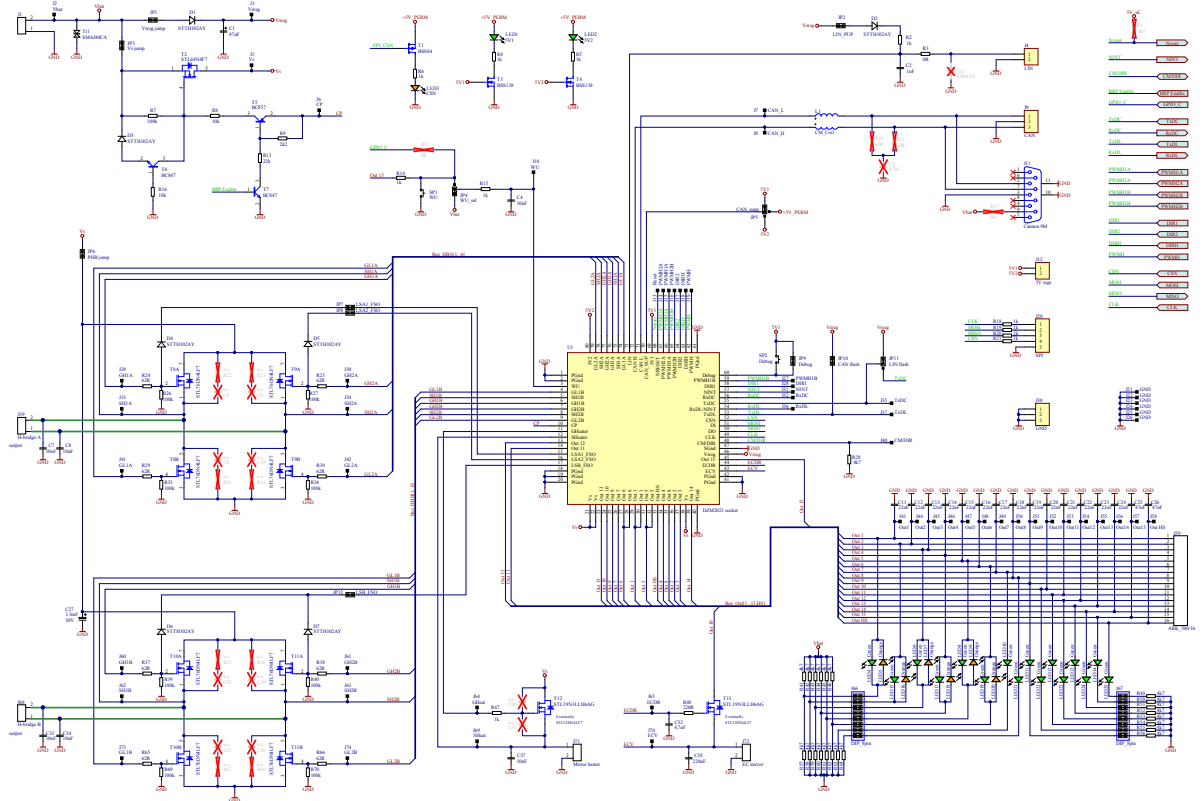


Figure 5. EVAL-L99DZ200 motherboard schematics (2 / 2)



1.3 EVAL-L99DZ200 daughter board

Figure 6. EVAL-L99DZ200 daughter board top layer

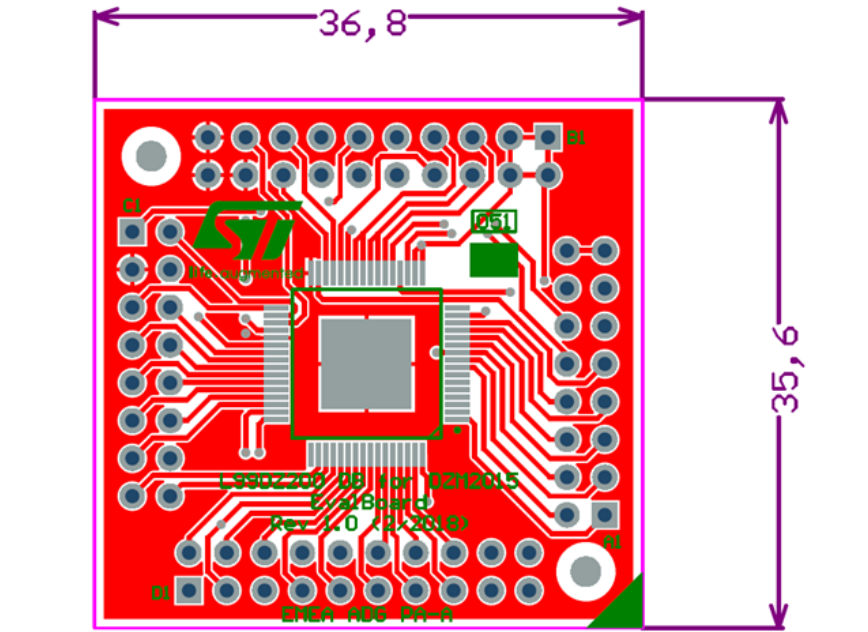


Figure 7. EVAL-L99DZ200 daughter board bottom layer

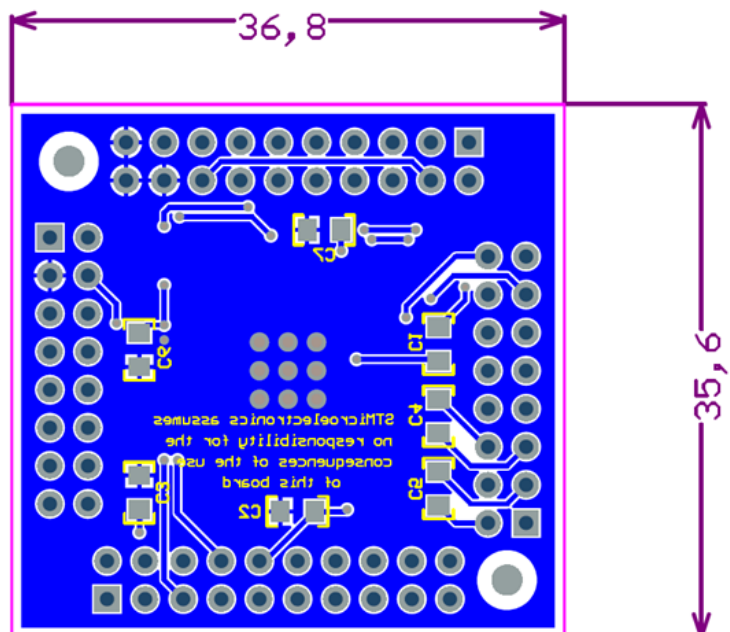
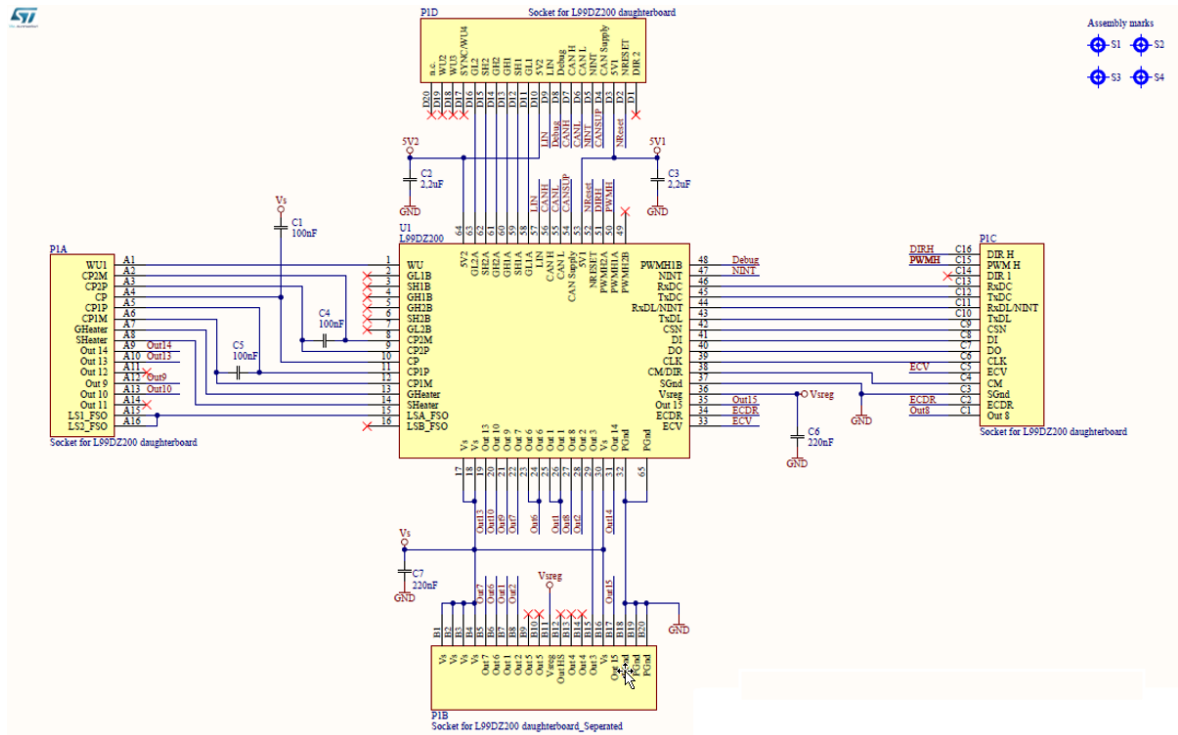
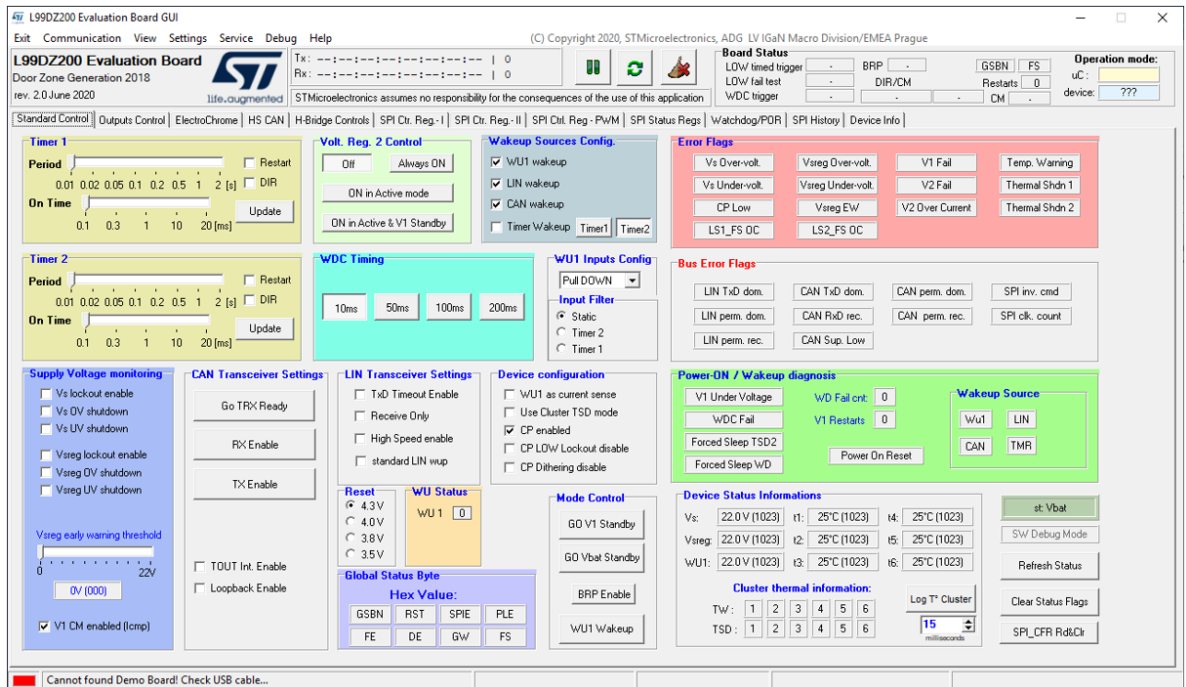


Figure 8. EVAL-L99DZ200 daughter board schematics



2 Demonstration software

Figure 9. Main window of EVAL-L99DZ200 graphical user interface



3 System requirements

- Windows OS (XP, 7, 8, 10)
- USB type B

Revision history

Table 1. Document revision history

Date	Version	Changes
01-Mar-2021	1	Initial release.

Contents

1	Application schematics and layout	2
1.1	Overall application diagram	2
1.2	EVAL-L99DZ200 motherboard	3
1.3	EVAL-L99DZ200 daughter board	6
2	Demonstration software	8
3	System requirements	9
	Revision history	10
	Contents	11

IMPORTANT NOTICE – PLEASE READ CAREFULLY

STMicroelectronics NV and its subsidiaries (“ST”) reserve the right to make changes, corrections, enhancements, modifications, and improvements to ST products and/or to this document at any time without notice. Purchasers should obtain the latest relevant information on ST products before placing orders. ST products are sold pursuant to ST’s terms and conditions of sale in place at the time of order acknowledgement.

Purchasers are solely responsible for the choice, selection, and use of ST products and ST assumes no liability for application assistance or the design of Purchasers’ products.

No license, express or implied, to any intellectual property right is granted by ST herein.

Resale of ST products with provisions different from the information set forth herein shall void any warranty granted by ST for such product.

ST and the ST logo are trademarks of ST. For additional information about ST trademarks, please refer to www.st.com/trademarks. All other product or service names are the property of their respective owners.

Information in this document supersedes and replaces information previously supplied in any prior versions of this document.

© 2021 STMicroelectronics – All rights reserved

Mouser Electronics

Authorized Distributor

Click to View Pricing, Inventory, Delivery & Lifecycle Information:

[STMicroelectronics:](#)

[EVAL-L99DZ200](#)