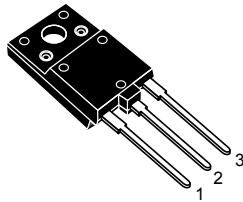
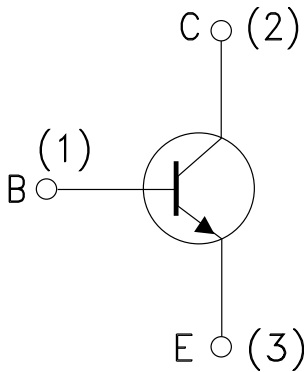


High voltage fast-switching NPN Power transistor



TO-3PF



SC06960



Features

- State-of-the-art technology:
 - Diffused collector “Enhanced generation” EHVS1
- More stable performances versus operating temperature variation
- Low base-drive requirements
- Tighter h_{FE} range at operating collector current
- Fully insulated power package UL compliant
- In compliance with the 2002/93/EC European directive

Application

- Electronic ballast for fluorescent lighting
- Switch mode power supplies

Description

The device is manufactured using Diffused Collector in Planar technology adopting new and enhanced high voltage structure 1 (EHVS1).

Product status link

[ST1510FX](#)

Product summary

Order code	ST1510FX
Marking	1510FX
Package	TO-3PF
Packing	Tube

1 Electrical ratings

$T_{\text{case}} = 25^{\circ}\text{C}$ unless otherwise specified.

Table 1. Electrical characteristics

Symbol	Parameter	Value	Unit
V_{CES}	Collector-emitter voltage ($V_{\text{BE}} = 0 \text{ V}$)	1500	V
V_{CEO}	Collector-emitter voltage ($I_{\text{B}} = 0 \text{ A}$)	750	V
V_{EBO}	Collector-base voltage ($I_{\text{C}} = 0 \text{ A}$)	9	V
I_{C}	Collector current	12	A
I_{CM}	Collector peak current ($t_{\text{p}} < 5 \text{ ms}$)	20	A
I_{B}	Base current	6	A
P_{TOT}	Total power dissipation at $T_{\text{c}} = 25^{\circ}\text{C}$	62	W
V_{isol}	Insulation withstand voltage (RMS) from all three leads to external heat sink	2.5	kV
T_{stg}	Storage temperature	-65 to 150	°C
T_{J}	Max. operating junction temperature	150	

Table 2. Thermal data

Symbol	Parameter	Value	Unit
$R_{\text{thj-case}}$	Thermal resistance junction-case	2	°C/W
$R_{\text{thj-amb}}$	Thermal resistance junction-ambient	50	°C/W

2 Electrical characteristics

$T_{\text{case}} = 25^{\circ}\text{C}$ unless otherwise specified.

Table 3. Electrical characteristics

Symbol	Parameter	Test conditions	Min.	Typ.	Max.	Unit
I_{CES}	Collector cut-off current	$V_{\text{CE}} = 1500 \text{ V}$ $V_{\text{BE}} = 0 \text{ V}$			0.2	mA
		$V_{\text{CE}} = 1500 \text{ V } T_{\text{C}} = 125^{\circ}\text{C}$ $V_{\text{BE}} = 0 \text{ V }^{(1)}$			2	
I_{EBO}	Emitter cut-off current	$V_{\text{EB}} = 9 \text{ V}$ $I_{\text{C}} = 0 \text{ A}$			1	mA
$V_{\text{CEO(sus)}}^{(2)}$	Collector-emitter sustaining voltage	$I_{\text{C}} = 100 \text{ mA}$ $I_{\text{B}} = 0 \text{ A}$	750			V
$V_{\text{CE(sat)}}^{(2)}$	Collector-emitter saturation voltage	$I_{\text{C}} = 6 \text{ A } I_{\text{B}} = 1.5 \text{ A}$			2	V
$V_{\text{BE(sat)}}^{(2)}$	Base-emitter saturation voltage	$I_{\text{C}} = 6 \text{ A } I_{\text{B}} = 1.5 \text{ A}$			1.1	V
$h_{\text{FE}}^{(2)}$	DC current gain	$I_{\text{C}} = 1 \text{ A } V_{\text{CE}} = 5 \text{ V}$	15	28		
		$I_{\text{C}} = 6 \text{ A } V_{\text{CE}} = 5 \text{ V}$	6.5		9.5	
		$I_{\text{C}} = 7 \text{ A } V_{\text{CE}} = 1 \text{ V}$		5.5		
	Inductive load	$I_{\text{C}} = 6 \text{ A}, I_{\text{B(on)}} = 1.2 \text{ A},$				
t_{s}	Storage time	$I_{\text{B(off)}} = -2.4 \text{ A}, L = 500 \mu\text{H},$		2		μs
t_{f}	Fall time	$V_{\text{clamp}} = 350 \text{ V}$		0.2		

1. Defined by design, not subject to production test.

2. Pulsed: Pulse duration = 300 ms, duty cycle 1.5%.

2.1 Electrical characteristics (curves)

Figure 1. Safe operating area

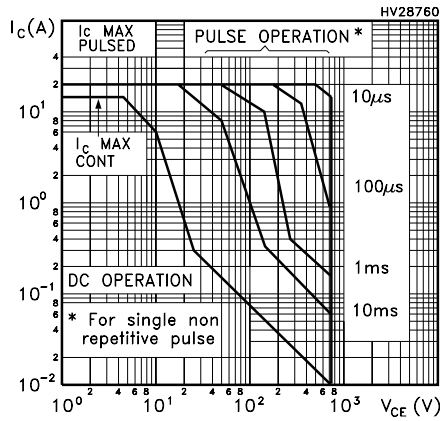


Figure 2. Derating curve

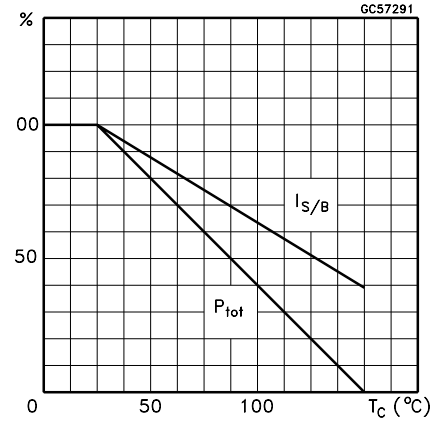


Figure 3. Output characteristics

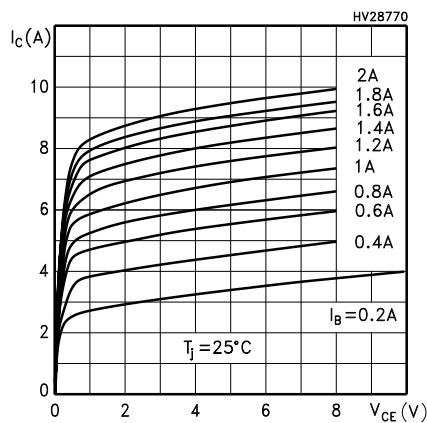


Figure 4. Reverse biased SOA

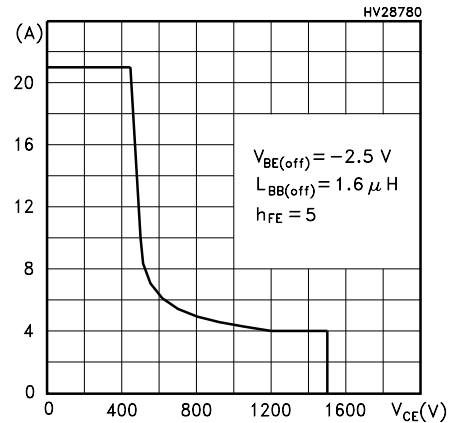


Figure 5. DC current gain at $V_{CE} = 1\text{ V}$

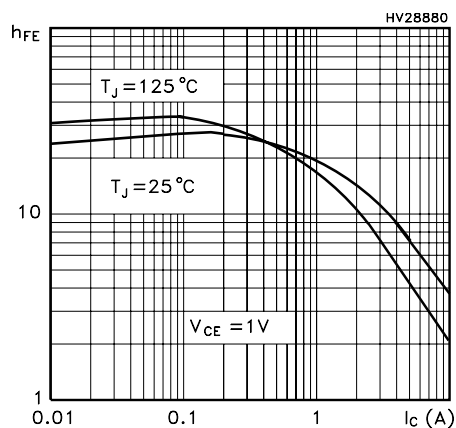


Figure 6. DC current gain at $V_{CE} = 5\text{ V}$

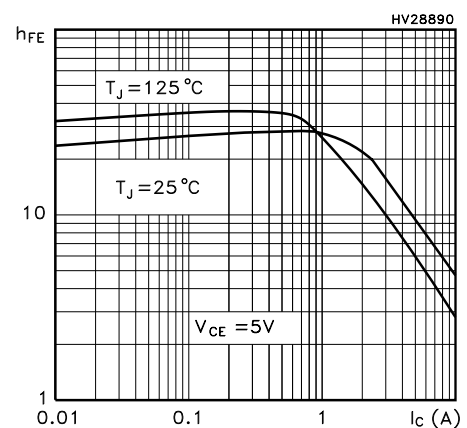


Figure 7. Collector emitter saturation voltage

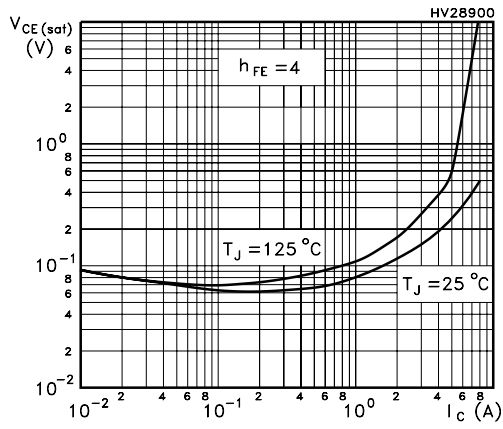
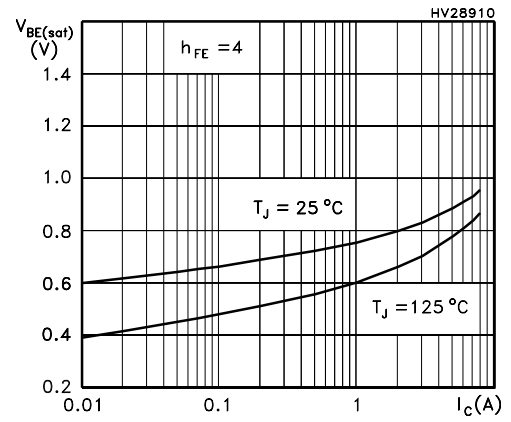


Figure 8. Base emitter saturation voltage



3 Test circuits

Figure 9. Power losses and inductive load switching

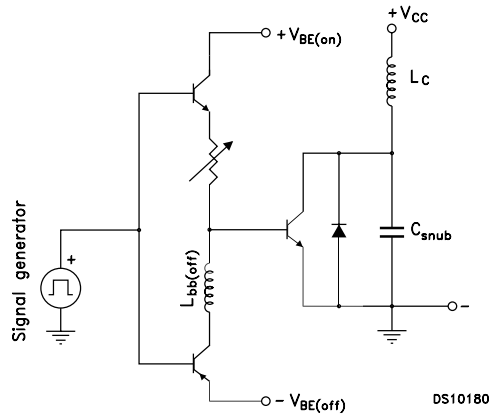
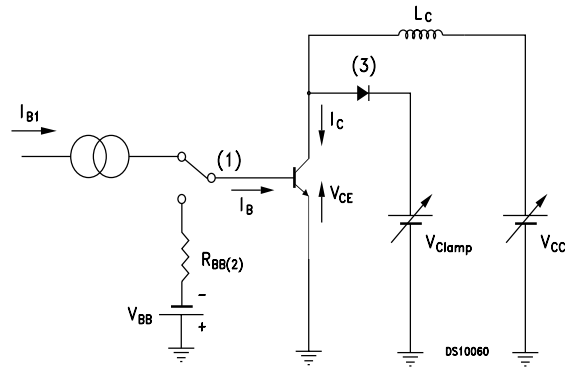


Figure 10. Reverse biased safe operating area

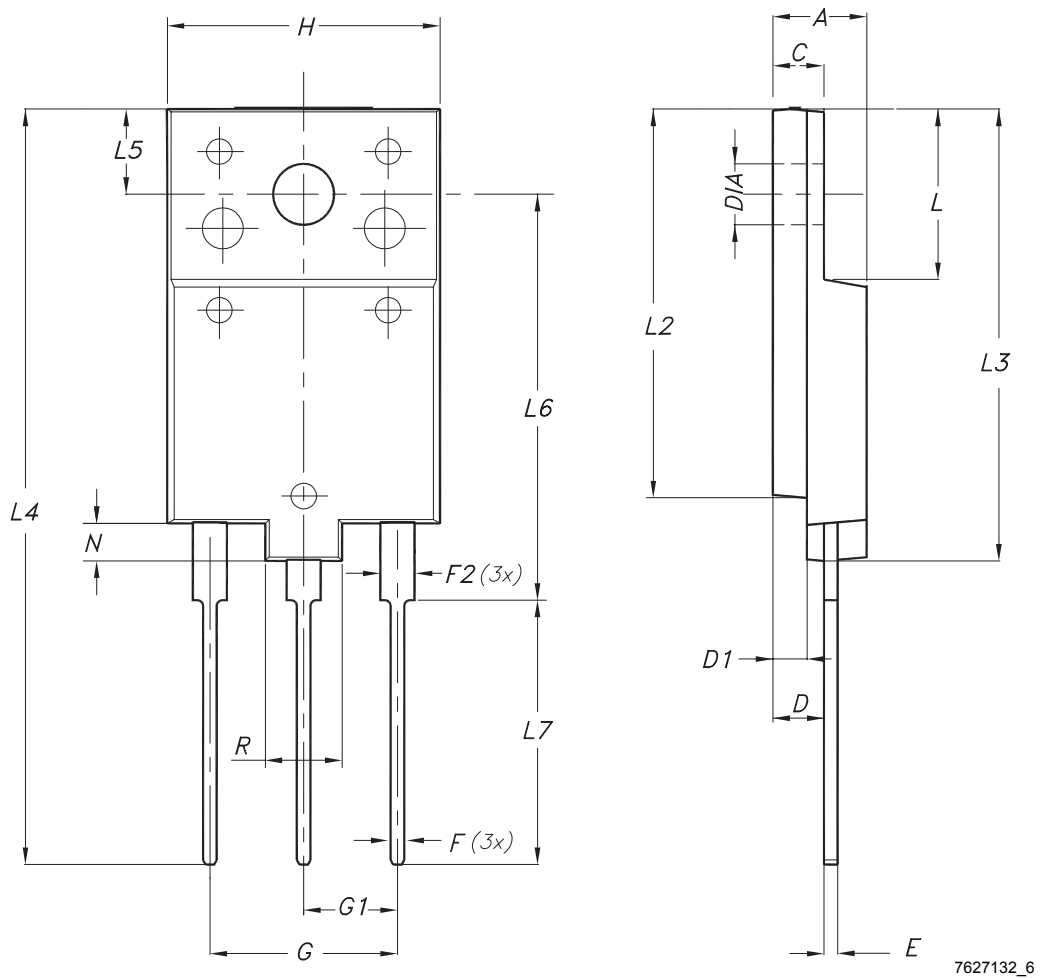


4 Package information

In order to meet environmental requirements, ST offers these devices in different grades of **ECOPACK** packages, depending on their level of environmental compliance. ECOPACK specifications, grade definitions and product status are available at: www.st.com. ECOPACK is an ST trademark.

4.1 TO-3PF package information

Figure 11. TO-3PF package outline



7627132_6

Table 4. TO-3PF mechanical data

Dim.	mm		
	Min.	Typ.	Max.
A	5.30		5.70
C	2.80		3.20
D	3.10		3.50
D1	1.80		2.20
E	0.80		1.10
F	0.65		0.95
F2	1.80		2.20
G	10.30		11.50
G1		5.45	
H	15.30		15.70
L	9.80	10.00	10.20
L2	22.80		23.20
L3	26.30		26.70
L4	43.20		44.40
L5	4.30		4.70
L6	24.30		24.70
L7	14.60		15.00
N	1.80		2.20
R	3.80		4.20
Dia	3.40		3.80

Revision history

Table 5. Document revision history

Date	Version	Changes
02-Nov-2005	1	Initial release.
23-Feb-2007	2	Order code and parameters on Table1 has been change.
12-Nov-2020	3	Updated Section 4 Package information . Minor text changes.

Contents

1	Electrical ratings	2
2	Electrical characteristics	3
2.1	Electrical characteristics (curves)	4
3	Test circuits	6
4	Package information	7
4.1	TO-3PF package information	7
	Revision history	9

IMPORTANT NOTICE – PLEASE READ CAREFULLY

STMicroelectronics NV and its subsidiaries (“ST”) reserve the right to make changes, corrections, enhancements, modifications, and improvements to ST products and/or to this document at any time without notice. Purchasers should obtain the latest relevant information on ST products before placing orders. ST products are sold pursuant to ST’s terms and conditions of sale in place at the time of order acknowledgement.

Purchasers are solely responsible for the choice, selection, and use of ST products and ST assumes no liability for application assistance or the design of Purchasers’ products.

No license, express or implied, to any intellectual property right is granted by ST herein.

Resale of ST products with provisions different from the information set forth herein shall void any warranty granted by ST for such product.

ST and the ST logo are trademarks of ST. For additional information about ST trademarks, please refer to www.st.com/trademarks. All other product or service names are the property of their respective owners.

Information in this document supersedes and replaces information previously supplied in any prior versions of this document.

© 2020 STMicroelectronics – All rights reserved

Mouser Electronics

Authorized Distributor

Click to View Pricing, Inventory, Delivery & Lifecycle Information:

[STMicroelectronics:](#)

[ST1510FX](#)