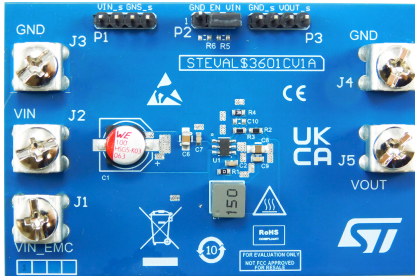


36V, 1A synchronous buck converter evaluation board based on DCP3601C



Features

- 110 uA input quiescent current
- 1 MHz fixed switching frequency
- 3.3 to 36 V input operating voltage range
- 5 V output voltage
- Synchronous rectification
- Internal compensation network
- Peak current mode control
- Precision enable
- WEEE and RoHS compliant

Description

The [STEVAL-3601CV1](#) demonstrates a smart converter design able to deliver up to 1 A output current from a 3.3 to 36 V input, with a 5.0 V output voltage.

The board features the [DCP3601CMR](#) miniaturized synchronous step-down converter, which implements enhanced peak current control and advanced design circuitry to minimize quiescent current.

The [STEVAL-3601CV1](#) demonstrates how highly efficient conversion can be achieved with just the DCP3601, an inductor, two small capacitors, and two resistors.

The board highlights key application benefits made possible by the [DCP3601CMR](#), including high efficiency and small PCB size, and is ideal for power conversion solutions in major appliances, smart metering, industrial 24 VBUS conversion and general-purpose wide vin power supplies.

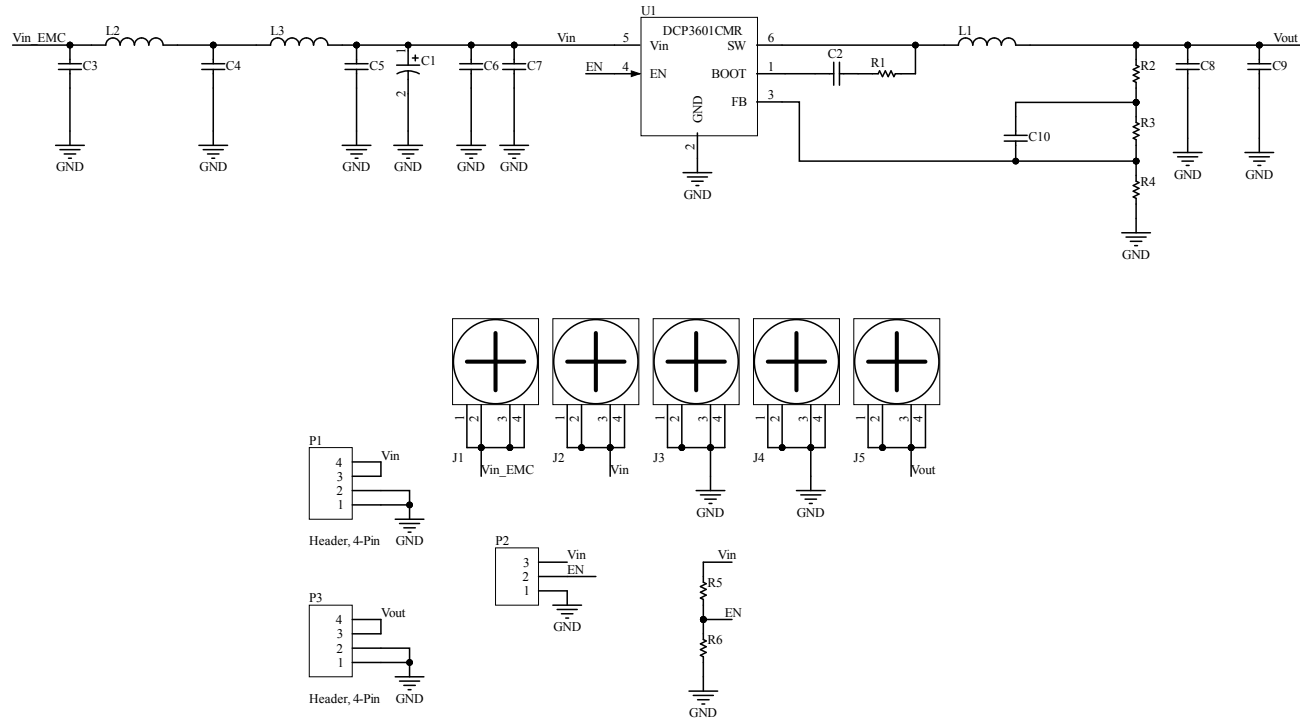
The device used on this board is supplied in the thin SOT23-6L package.

Product summary

36V, 1A synchronous buck converter evaluation board based on DCP3601C	STEVAL-3601CV1
36 V, 1 A synchronous step-down converter in SOT23-6L	DCP3601CMR
Applications	Buck converter

1 Schematic diagrams

Figure 1. STEVAL-360CV1 circuit schematic



Revision history

Table 1. Document revision history

Date	Revision	Changes
14-Oct-2024	1	Initial release.

IMPORTANT NOTICE – READ CAREFULLY

STMicroelectronics NV and its subsidiaries (“ST”) reserve the right to make changes, corrections, enhancements, modifications, and improvements to ST products and/or to this document at any time without notice. Purchasers should obtain the latest relevant information on ST products before placing orders. ST products are sold pursuant to ST’s terms and conditions of sale in place at the time of order acknowledgment.

Purchasers are solely responsible for the choice, selection, and use of ST products and ST assumes no liability for application assistance or the design of purchasers’ products.

No license, express or implied, to any intellectual property right is granted by ST herein.

Resale of ST products with provisions different from the information set forth herein shall void any warranty granted by ST for such product.

ST and the ST logo are trademarks of ST. For additional information about ST trademarks, refer to www.st.com/trademarks. All other product or service names are the property of their respective owners.

Information in this document supersedes and replaces information previously supplied in any prior versions of this document.

© 2024 STMicroelectronics – All rights reserved

Mouser Electronics

Authorized Distributor

Click to View Pricing, Inventory, Delivery & Lifecycle Information:

[STMicroelectronics:](#)

[STEVAL-3601CV1](#)