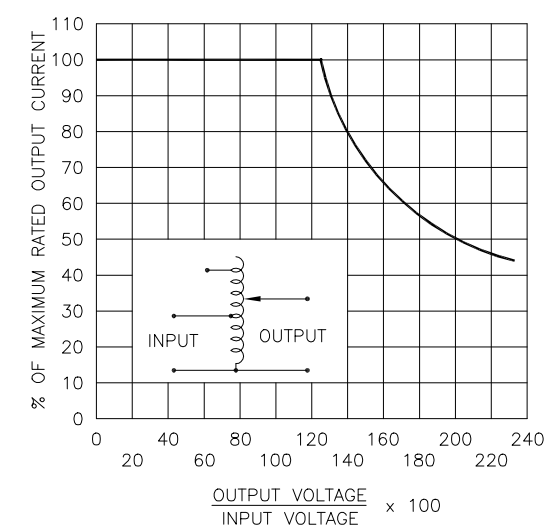
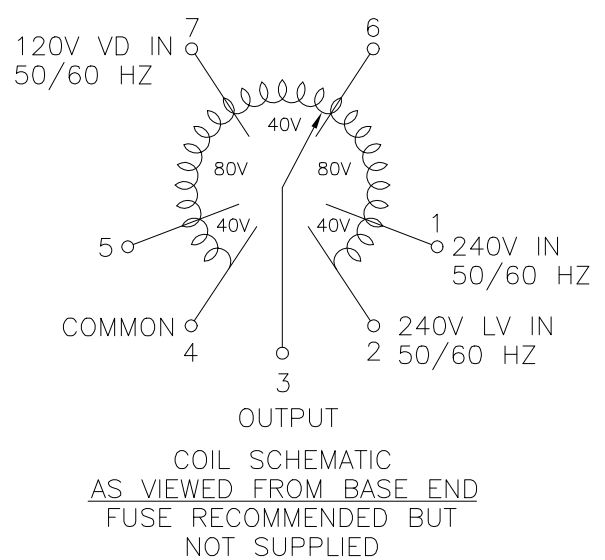
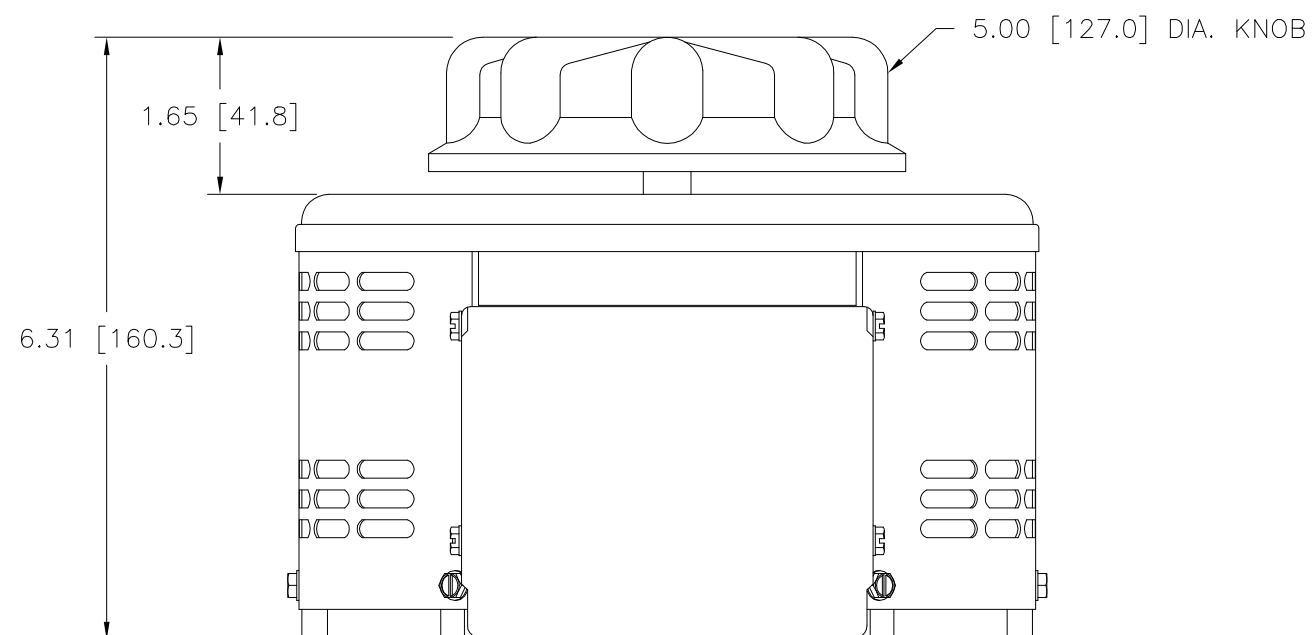


NOTE:
 UNIT IS SUPPLIED WITH A 7.00 [177.8] DIA. 0-100 GRADUATED DIAL PLATE FOR PANEL MOUNTING.



MAXIMUM OUTPUT CURRENT IN OUTPUT VOLTAGE RANGE FROM 0 TO 25% ABOVE LINE VOLTAGE. AT HIGHER OUTPUT VOLTAGES, THE OUTPUT CURRENT MUST BE REDUCED ACCORDING TO THE DERATING CURVE FIGURE A.

§ MAXIMUM KVA AT MAXIMUM OUTPUT VOLTAGE AND CORRESPONDING DERATED OUTPUT CURRENT. MAXIMUM KVA FOR LOWER VOLTAGES MAY BE CALCULATED FROM DERATING CURVE FIGURE A.



SPECIFICATIONS										
WIRING	INPUT		OUTPUT				SHAFT ROTATION TO INCREASE VOLTAGE	TERMINAL CONNECTIONS		
	VOLTS	HERTZ	VOLTS	CONSTANT CURRENT LOAD	CONSTANT IMPEDANCE LOAD	FOR INCREASING VOLTAGE AS VIEWED FROM BASE END		INPUT	JUMPER	OUTPUT
SINGLE PHASE	240	50/60	0-240	10	2.40	13	3.12	CW	2-4	4-3
			0-280	10	2.80	—	—	CCW	2-4	2-3
	120	50/60	0-280	10#	1.20§	—	—	CW	2-5	2-3
			0-280	10#	1.20§	—	—	CCW	7-4	4-3
							CCW	6-2	2-3	

UNLESS OTHERWISE SPECIFIED, TOLERANCE IS # DECIMALS .06 Holes .01 ANGLES 1° DRAFT 1-1/2" UNITS IN (mm)

MATERIAL: ALL DIMENSIONS APPLY AFTER PLATING

TITLE: SPEC. CONTROL DRAWING VARIABLE TRANSFORMER MODEL: 2520CT

STACO ENERGY PRODUCTS CO. A COMPONENTS CORPORATION OF AMERICA COMPANY DAYTON, OHIO U.S.A.

DRAWN BY S.A. SMITH DATE 12/21/98 FIRST USED ON 2520CT DO NOT SCALE DWG. CUSTOMER APPROVAL DATE

CHECKER DATE WEIGHT APPROX. 21 LBS CODE IDENT. NO. 83008 DWG. NO. 031-5501

ENGINEER DATE SCALE 1=1 SHEET 1 OF 1

Mouser Electronics

Authorized Distributor

Click to View Pricing, Inventory, Delivery & Lifecycle Information:

[Staco:](#)

[2520CT](#)