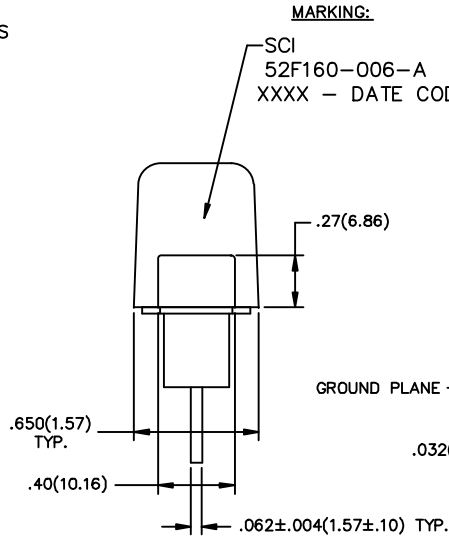


RECOMMENDED CUTOUT

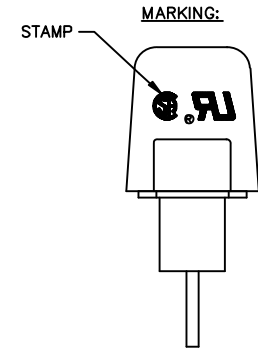
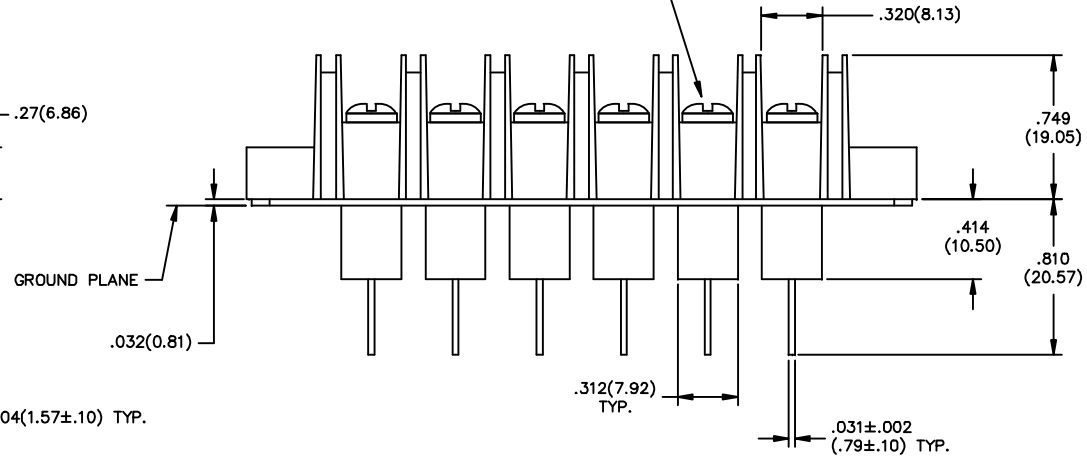
MOUNTING HOLES AS REQUIRED

**MARKING:**

SCI  
52F160-006-A  
XXXX - DATE CODE

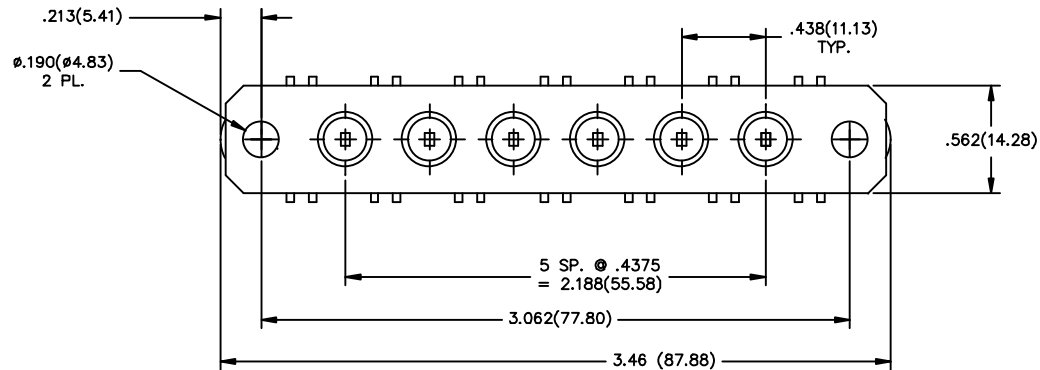


#6-32UNC-2A THD  
PHILSLOT HD. SCREW



**NOTES:**

- 1) VOLTAGE: 100 VDC.
- 2) CURRENT: 20 AMPS.
- 3) OPERATING TEMPERATURE: -55°C TO +105°C.
- 4) MATERIAL: BLACK THERMOPLASTIC OR EQUIV.
- 5) SCREW TYPE: #6-32 PHILSLOT HD.
- 6) MARKING: 4 PT. CHARACTERS, WHITE INK.
- 7) CAPACITANCE: 2500pF MIN./ 5200pF MAX.
- 8) GROUND PLANE IS TO BE FLAT WITHIN .012".
- 9) SHIPPING TRAY LABEL MARKING:  
SCI 52F160-006-A DATE CODE  
100V, 20A, 12-22AWG  
UL & CSA LOGOS



TEST SEQUENCE				
STEP	DESCRIPTION	OPER.	PASS	FAIL
STEP 0400	INSPECTION	VISUAL/MECH	PASS	FAIL
PER IT 38-0468 INSPECT DIMENSIONS AND WORKMANSHIP. PER MIL-STD-105, LEVEL II, 1% AQL COMMENTS: 100%		OPER:		
STEP 0100	TESTING	CAP./D.F.	PASS	FAIL
PER IT 38-0245 CAP: 2500pF TO 5200pF DF: <4% MAX COMMENTS: 100%		OPER:		
STEP 0200	TESTING	DWV	PASS	FAIL
PER IT 38-0245 DWV: 2000 VDC 25°C 1 MINUTE MINIMUM COMMENTS: 100%		OPER:		
STEP 0300	TESTING	I.R.	PASS	FAIL
PER IT 38-0245 IR: 100VDC, 1000 Mohms MIN. 2 MINUTES MAX. COMMENTS: 100%		OPER:		

03	02	01	00	REV. NO.	UNLESS OTHERWISE SPECIFIED DIMENSIONS ARE IN INCHES. (MILLIMETERS) DO NOT SCALE. ③ THIRD ANGLE PROJECTION	TOLERANCES UNLESS OTHERWISE SPECIFIED Fractions ± 1/64 Dec. .xx± .03 Dec. .xxx± .020 Angles ±0° 30'	SPECTRUM CONTROL INC. Dwn. KAUFFMAN Date 3-18-09 Aprd Grunauer Sheet 1 of 1	FAIRVIEW PENNSYLVANIA Description FILTER TERMINAL BLOCK 52F160-006-A
CN 46318-ENG	CN 45233-ENG	CN 30173-CPD	CN 27634-CPD	CHANGE NOTICE				

Quality Products From The Specialists In Electro-Magnetic Compatibility



# Mouser Electronics

Authorized Distributor

Click to View Pricing, Inventory, Delivery & Lifecycle Information:

[API Technologies:](#)

[52F160-006-A](#)