

# 13-PWF/PWL/PWB Series

## Three Phase Power Line Filters

### Features

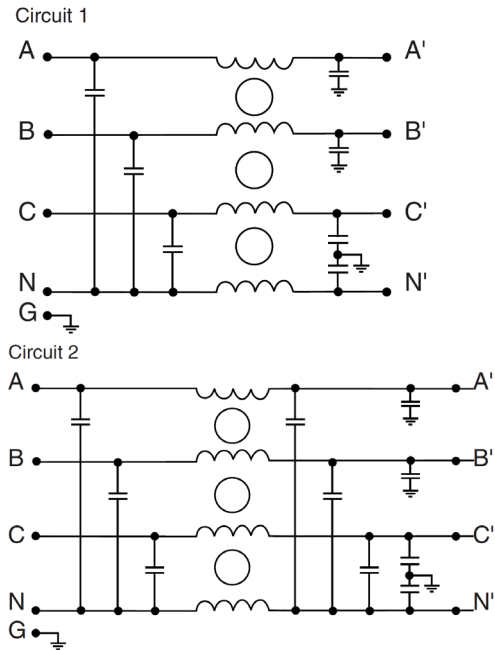
- Excellent attenuation for high voltage impulse
- Effective for both balanced and unbalanced three-phase loads
- Metal case provides effective EMI shielding
- Epoxy molded for internal component reliability
- Suitable for both Wye and Delta connection
- Excellent filtering characteristics for both normal and common mode
- Operating temperature: -40°C to +85°C
- Designed for 3-phase 4-line power supply systems



### Applications

- Digital equipment
- Industrial equipment (UPS, inverters, and converters)
- Automation equipment
- Computerized washing machines

### Circuit Diagram



### Specifications

Model	Rated Voltage (@ 50/60Hz)	Rated Current	Leakage Current (Max.)	Circuit Diagram	Figure	Temperature Rise (Max.)	
13-PWF-005-12-H	440/250VAC	5A	1.5mA	1	A	30°C	
13-PWL-005-12-C					B		
13-PWF-010-12-H		10A			A		
13-PWL-010-12-C					B		
13-PWB-010-12-D		2		30A	C		
13-PWB-015-12-D							15A
13-PWB-020-12-D							20A
13-PWB-025-12-D							25A
13-PWB-030-12-D							

Note: Test Voltage 1500VAC one minute, line to ground.

Insulation Resistance 300 MΩ min. at 500VDC.

Voltage Drop: 1V max. at rated current.

# 13-PWF/PWL/PWB Series

## Three Phase Power Line Filters

Figure A

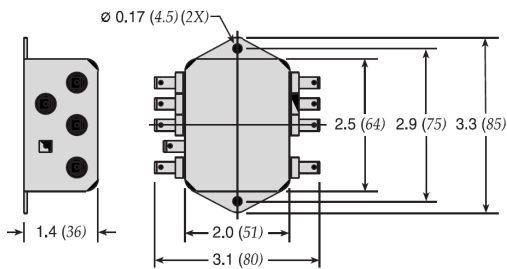


Figure B

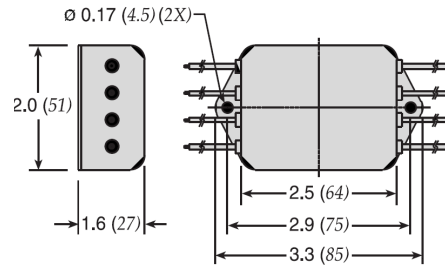
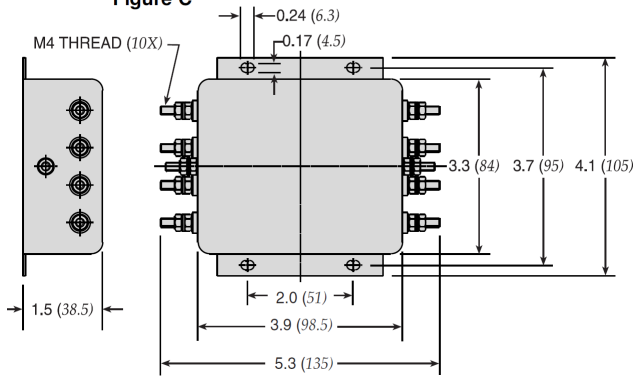
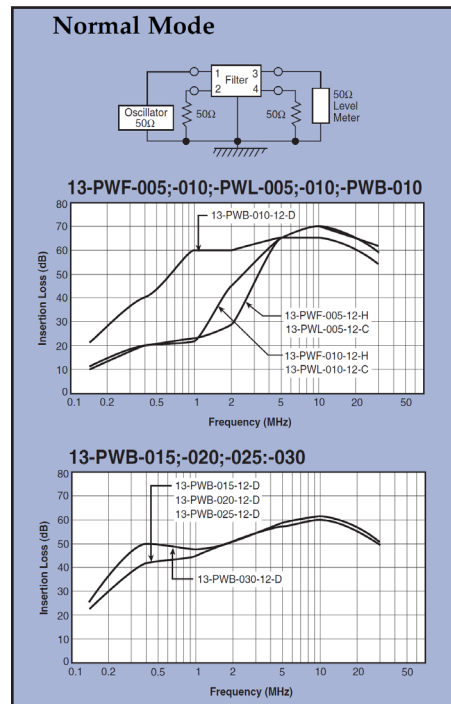
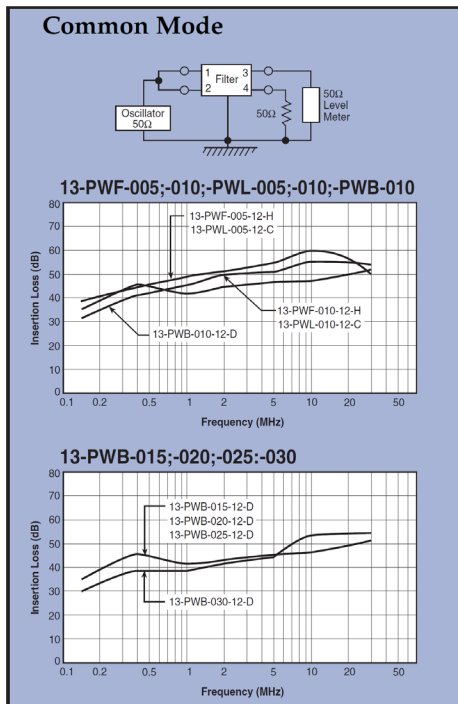


Figure C



Dimensions in inches (mm)



# Mouser Electronics

Authorized Distributor

Click to View Pricing, Inventory, Delivery & Lifecycle Information:

[API Technologies:](#)

[13-PWB-030-12-D](#)